



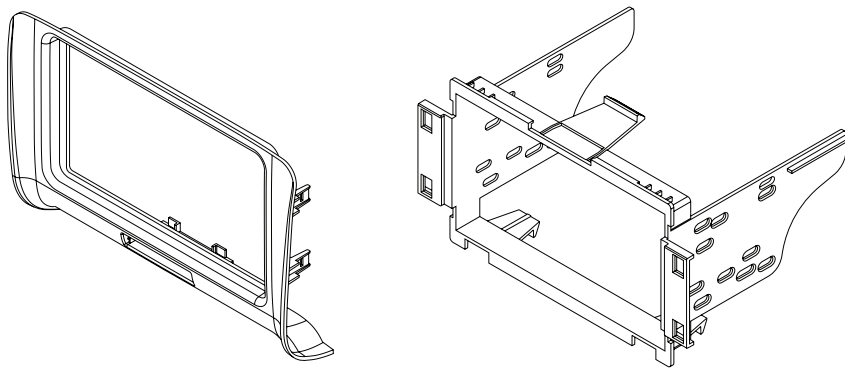
### Audi TT 2008-2015

Visit [MetraOnline.com](http://MetraOnline.com) for more detailed information about the product and up-to-date vehicle specific applications.

- D** ISO DDIN radio provision
- P** Painted scratch resistant matte black
- R** Location to retain the factory passenger airbag light

#### KIT COMPONENTS

- Radio trim panel
- Radio housing
- (4) Panel clips
- (8) Radio mounting screws

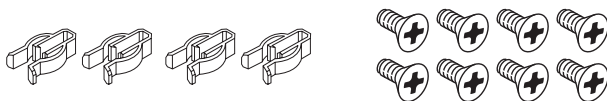


#### WIRING & ANTENNA CONNECTIONS

(sold separately)

- Wiring Harness: XSVI-9004-NAV
- Antenna Adapter: 40-EU56

#### HARDWARE INCLUDED



SALES 800-221-0932

