



PRODUCT INFORMATION SHEET

APPLICATIONS

2010 KIA SOUL

U.S. Patent # D640,684

99-7337B

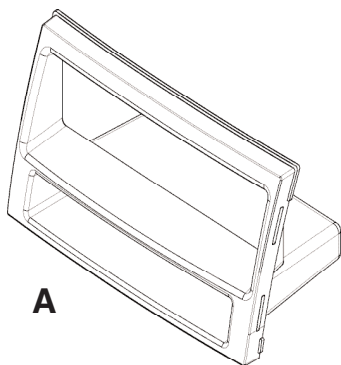
KIT FEATURES

- ISO Radio Provision with Pocket
- Painted Matte Black

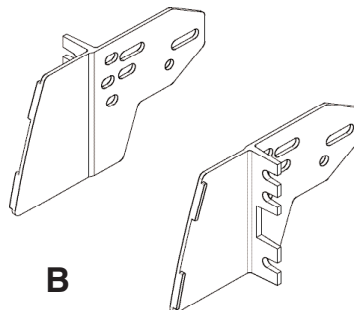


KIT COMPONENTS

- A) Radio Housing • B) ISO Brackets



A



B

WIRING AND ANTENNA CONNECTIONS (Sold Separately)

Harness:

- 70-7303 - Kia / Hyundai Harness 2009-up

Antenna Adapter:

- 40-K111 - Kia / Hyundai Antenna Adapter 2007-up



1-800-221-0932



www.metraonline.com