



## Product information sheet

### APPLICATIONS

# Acura/Honda/Isuzu 1988-2006 INST-7898

## KIT FEATURES

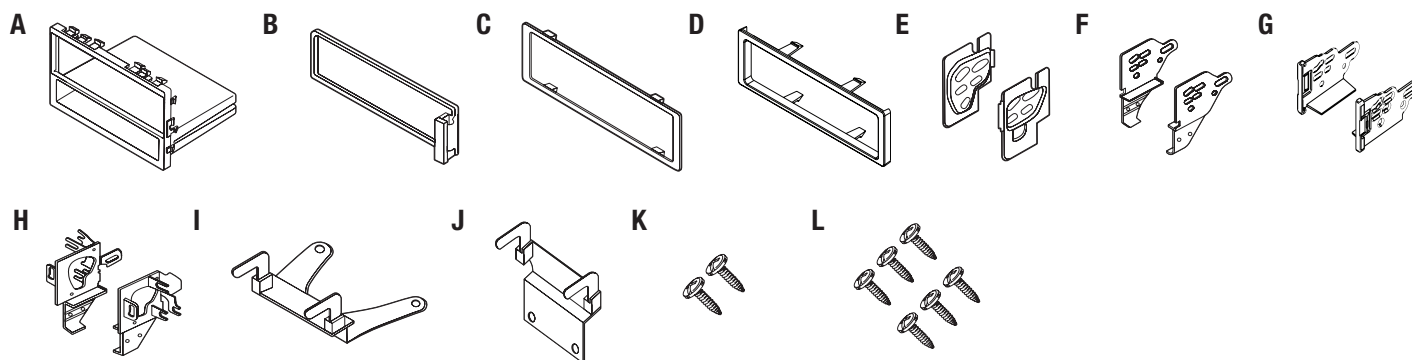
- DIN radio provision
- ISO DIN radio provision

Patent number D483,027



## KIT COMPONENTS

- A) Radio housing (a) • B) Radio housing (b) • C) Trim plate (a) • D) Trim plate (b) • E) ISO spacers
- F) ISO brackets (a) • G) ISO brackets (b) • H) Radio brackets • I) Rear support bracket (a)
- J) Rear support bracket (b) • K) (2) #8 x 3/4" Phillips pan head screws
- L) (6) #8 x 3/8" Phillips pan head screws



## WIRING & ANTENNA CONNECTIONS (sold separately)

- Wiring Harness: • Please visit [metraonline.com](http://metraonline.com) for more information
- Antenna Adapter: • Not required

1-386-257-2956

**METRA. THE WORLD'S BEST KITS.®**

[www.metraonline.com](http://www.metraonline.com)

© COPYRIGHT 2021 METRA ELECTRONICS CORPORATION

REV. 5/14/2021 INFO-7898