



# PRODUCT INFORMATION SHEET

## APPLICATIONS

### LEXUS LS SERIES

1995-2000

NOT FOR USE IN VEHICLES  
WITH FACTORY NAVIGATION

U.S. Patent# D508,486

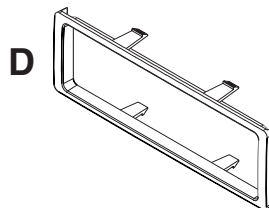
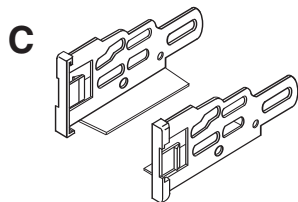
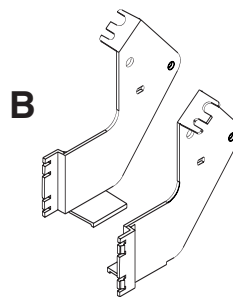
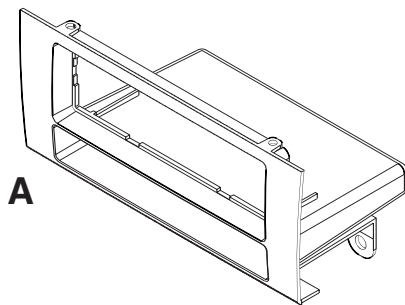
# 99-8153

### KIT FEATURES

- DIN Radio Provision with Pocket
- ISO Mount Radio Provision with Pocket

### KIT COMPONENTS

A) Radio Housing • B) Radio Housing Brackets • C) ISO Brackets • D) Trim Plate



1-800-221-0932



[www.metraonline.com](http://www.metraonline.com)

© COPYRIGHT 2008 METRA ELECTRONICS CORPORATION Rev. 12-23-20