



# PRODUCT INFORMATION SHEET

## APPLICATIONS

# LEXUS GS SERIES 1993-1997

U.S. Patent# D507,791

# 99-8154

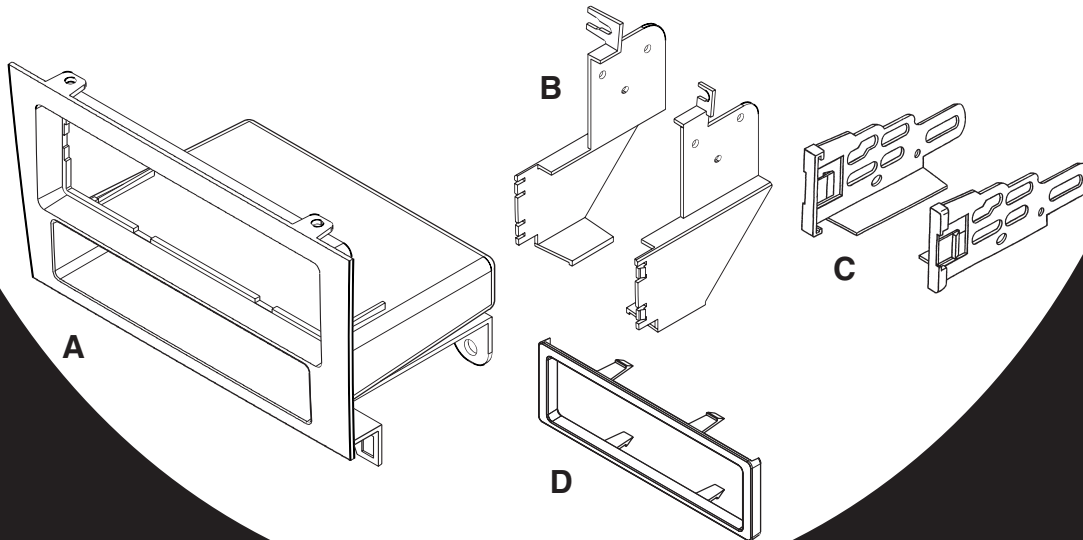
### KIT FEATURES

- DIN Mount Radio Provision with Pocket
- ISO Mount Radio Provision with Pocket



### KIT COMPONENTS

A) Radio Housing • B) Radio Housing Brackets • C) ISO Brackets • D) Trim Plate



1-800-221-0932



[www.metraonline.com](http://www.metraonline.com)

© COPYRIGHT 2004-2007 METRA ELECTRONICS CORPORATION Rev. 12-23-20