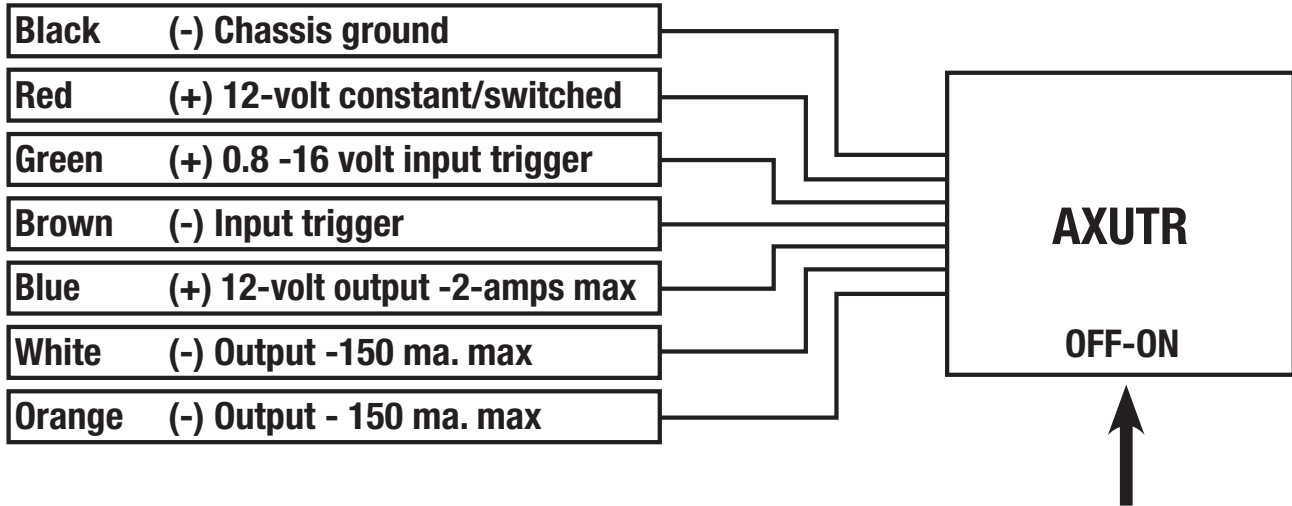




## Product information sheet

### AXUTR



Programming switch must be turned off after the AXUTR is programmed!

### KIT FEATURES

The AXUTR is a universal trigger output module that has various user programmable features combined into one unit. The user programmable features are stored in non-volatile memory. When triggered, the AXUTR can turn on the outputs as a pulsed, latched or timed.

REV. 2/3/2020 INFOAXUTR