

Multi-kit with Pocket

Ford/Nissan/Mazda/Toyota 1990-2004

KIT FEATURES

- Pocket provision for ISO DIN radio installations
- Holds (3) CD jewel cases

APPLICATIONS

See inside front cover

KIT COMPONENTS

- A) Face plate #1 • B) Face plate #2 • C) Face plate #3 • D) Pocket • E) Brackets set #1 • F) Brackets set #2
- G) #8 x 1/4" Phillips screws (4) • H) #6 x 1/4" Phillips flat head screws (6)

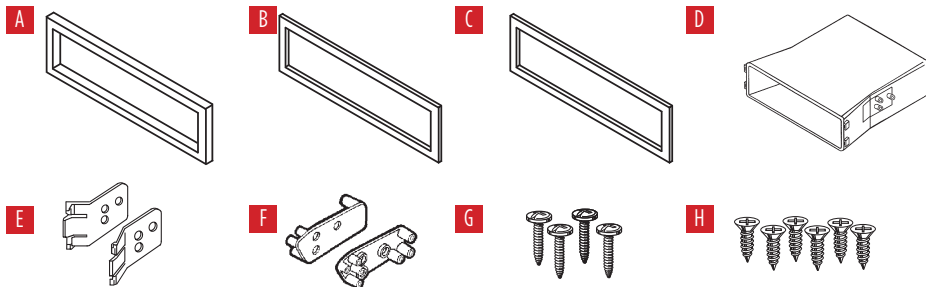


TABLE OF CONTENTS

| | |
|------------------------|---|
| Applications | 2 |
| Installation | |
| - Ford/Mazda..... | 2 |
| - Nissan/Infiniti..... | 3 |
| - Toyota/Lexus..... | 3 |
| - Volvo/Saab | 4 |

WIRING & ANTENNA CONNECTIONS

SOLD SEPARATELY

TOOLS REQUIRED

- Cutting tool
- Phillips screwdriver

ATTENTION: With the key out of the ignition, disconnect the negative battery terminal before installing this product. Ensure that all installation connections are secure before cycling the ignition to test this product.
NOTE: Refer to the instructions included with the aftermarket radio.

APPLICATIONS

Applications

Ford

Mustang.....1994-2000

Infiniti

G20.....1999-2002

G20.....1991-1996

J30.....1993-1997

M30.....1990-1992

Q45.....1990-2001

Lexus

ES250.....1990-1991

Mazda

626.....1993-2000

929.....1992-1995

MX3.....1992-1996

MX6.....1993-1997

Protege.....1995-2000

RX-7.....1993-1995

Nissan

*All models equipped with stack systems except the Quest.

Saab

9-5.....1999-2009

9-3.....1999-2002

Toyota

4-Runner.....1984-2002

Avalon.....1995-1999

Camry.....1983-2001

Celica.....1982-1999

Corolla.....1984-1997

Cressida.....1981-1992

Landcruiser.....1988-2002

MR2.....1985-1995

Paseo.....1992-1997

Pickup.....1984-1995

Previa.....1991-1997

Rav 4.....1996-2000

Sequoia.....2001-2002

Sienna.....1996-2003

Solara.....1999-2003

Supra.....1983-1998

Supra.....1994-1998

Toyota (continued)

T100.....1993-1998

Tacoma.....1995-2004

Tercel.....1983-1998

Tundra.....2000-2002

Van.....1984-1990

Volvo

850.....1993-1997

940/960.....1995-1997

C70.....1998-2004

S40.....2000-2004

S70.....1998-2000

S90/V90.....1997-1998

V40.....2000-2004

V70.....1998-2000

INSTALLATION

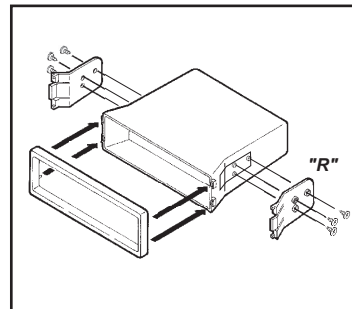
Ford/Mazda

1. Snap face plate #1 onto the front of the pocket.

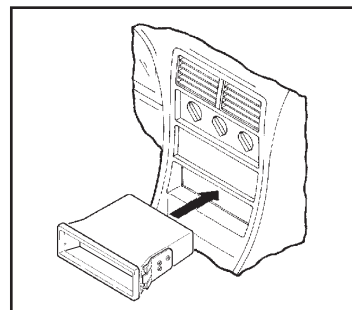
Locate Bracket Set #1 and mount the "L" Bracket to the "L" side of the pocket with (3) #6 x 1/4" Phillips flat head screws and the "R" bracket to the "R" side of the pocket with (3) #6 x 1/4" Phillips flat head screws. (Figure A)

Caution: Do NOT over tighten screws.

2. Slide the pocket assembly into the dash opening until the side clips engage. (Figure B)



(Figure A)



(Figure B)

INSTALLATION

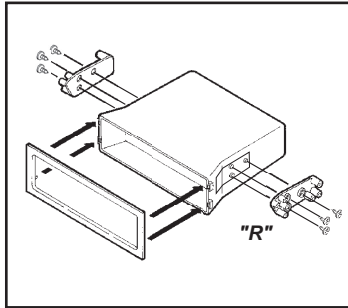
Nissan/Infiniti

1. Snap face plate #3 onto the front of the pocket.

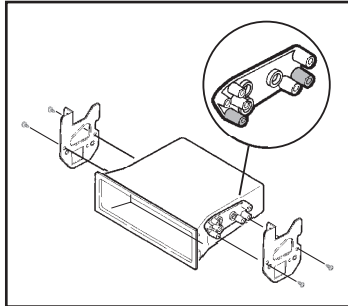
Locate bracket set #2 and mount the “L” bracket to the “L” side of the pocket with (3) #6 x 1/4” Phillips flat head screws and the “R” bracket to the “R” side of the pocket with (3) #6 x 1/4” Phillips flat head screws. (Figure A)

Caution: Do NOT over tighten screws.

2. Mount the factory brackets to the shaded bosses (Figure A) with (4) #8 x 1/4” Phillips screws supplied and mount the entire assembly to the sub-dash. (Figure B)



(Figure A)



(Figure B)

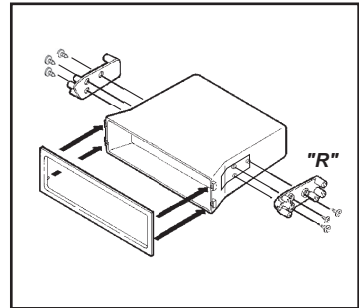
Toyota/Lexus

1. Snap face plate #2 onto the front of the pocket.

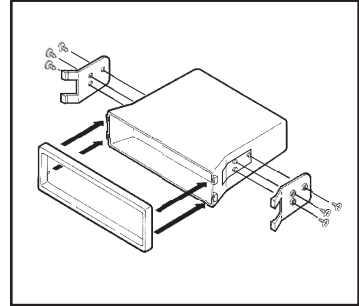
Locate bracket set #2 and mount the “L” bracket to the “L” side of the pocket with (3) #6 x 1/4” Phillips flat head screws and the “R” bracket to the “R” side of the pocket with (3) #6 x 1/4” Phillips flat head screws. (Figure A)

Caution: Do NOT over tighten screws.

2. Mount the pocket assembly to the factory brackets with (4) #8 x 1/4” Phillips screws supplied and mount the entire assembly to the sub-dash. (Figure B)



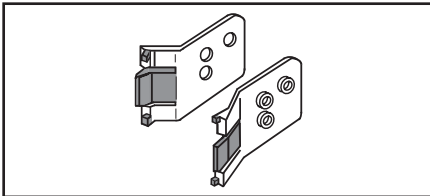
(Figure A)



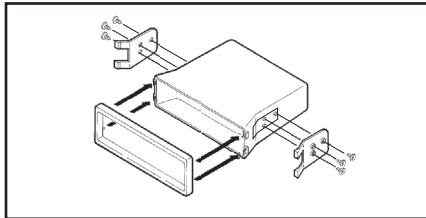
(Figure B)

Volvo/Saab

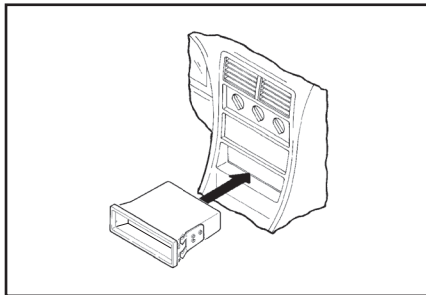
1. Cut and remove the shaded portions of Bracket Set #1. (Figure A)
2. Snap Face Plate #1 onto the front of the Pocket. Mount the "L" Bracket to the "L" side of the Pocket with (3) #6 x 1/4" Phillips Flat Head Screws and the "R" Bracket to the "R" side of the Pocket with (3) #6 x 1/4" Phillips Flat Head Screws. (Figure B)
Caution: Do NOT over tighten screws.
2. Slide the pocket assembly into the dash opening until the side clips engage. (Figure C)



(Figure A)



(Figure B)



(Figure C)

Having difficulties? We're here to help.



Contact our Tech Support line at:
386-257-1187



Or via email at:
techsupport@metra-autosound.com

Tech Support Hours (Eastern Standard Time)

Monday - Friday: 9:00 AM - 7:00 PM

Saturday: 10:00 AM - 5:00 PM

Sunday: 10:00 AM - 4:00 PM



**Metra recommends MECP
certified technicians**