



INSTALLATION INSTRUCTIONS FOR PART 95-3107

APPLICATIONS

SATURN Astra 2008-2009

95-3107S 95-3107G

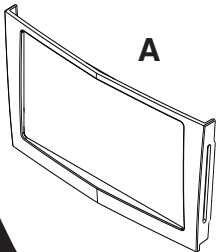
KIT FEATURES

- Double DIN Head Unit Provision
- Stacked ISO Mount Units Provision
- Painted To Match Factory Dash
95-3107S = SILVER
95-3107G = GRAY

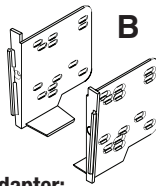


KIT COMPONENTS

- A) Double DIN Trim Plate
- B) Double DIN Brackets
- C) (2) Black Oval Head Phillips Screws



A



B



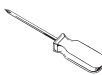
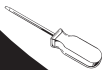
C

Antenna Adapter:

- 40-EU10 - European antenna adapter 2002-up

TOOLS REQUIRED:

- Small Flat Blade Screwdriver
- Panel Removal Tool
- Phillips Screwdriver
- 86-3528 Radio Removal Keys



1-800-221-0932



www.metraonline.com

© COPYRIGHT 2008-2009 METRA ELECTRONICS CORPORATION



TABLE OF CONTENTS

Dash Disassembly

- SATURN Astra 2008 -2009. 1

Kit and Final Assembly

- Double DIN/Stacked ISO Mount Units Provision2

***Note:**

Refer also to the instructions included with the aftermarket radio.



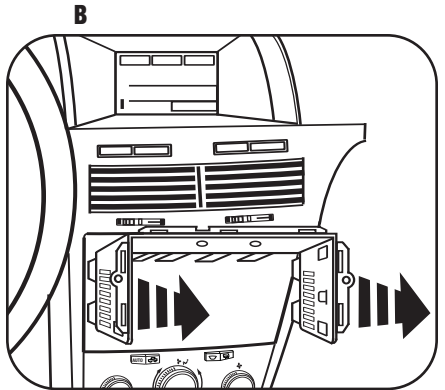
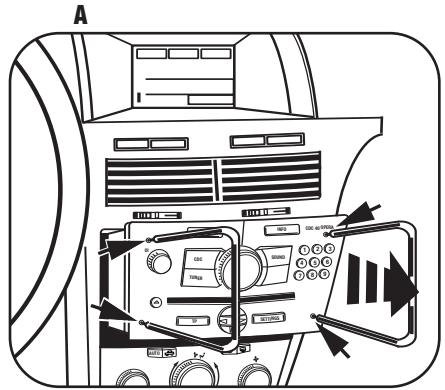
KNOWLEDGE IS POWER

Enhance your installation and fabrication skills by enrolling in the most recognized and respected mobile electronics school in our industry. Log onto www.installerinstitute.com or call 800-354-6782 for more information and take steps toward a better tomorrow.

SATURN ASTRA 2008-2009

- 1 Disconnect the negative battery terminal to prevent an accidental short circuit.
- 2 Using the radio removal keys, pull the factory head unit from the dash and disconnect the wiring. Unplug and remove the radio. (Figure A)
- 3 Pull down on the "cage" from the opening inside on the top and remove. **Note:** The cage only has 2 sides and a top. (Figure B)

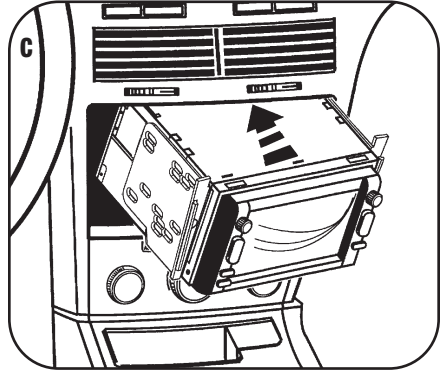
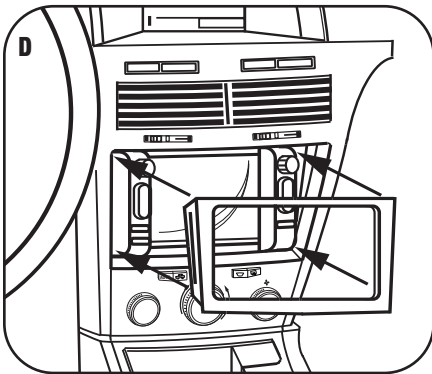
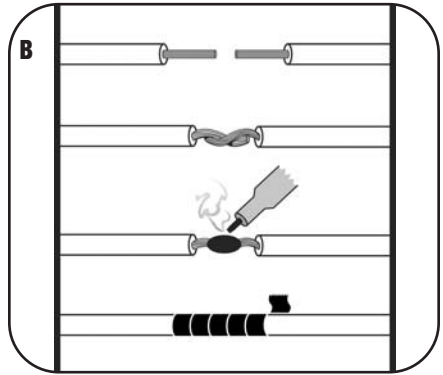
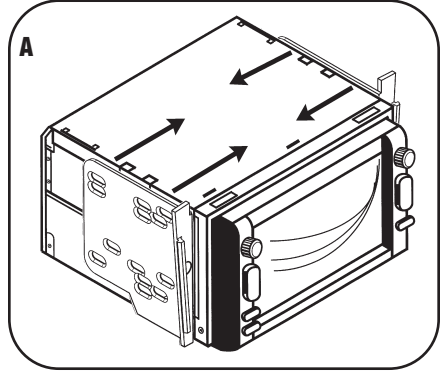
Continued to kit assembly.



DOUBLE DIN/STACKED ISO MOUNT UNITS PROVISION

**Note: Refer also to the instructions included with the aftermarket radio.*

- 1 Attach the Double DIN brackets to the Double DIN/Stacked ISO mount unit(s) using screws supplied with the unit(s). (Figure A)
- 2 Locate the factory wiring harness in the dash. Use the supplied wire harnesses and make the connections as shown. (Isolate and individually tape off the ends of any unused wires to prevent electrical short circuit) (Figure B)
- 3 Re-connect the negative battery terminal and test the unit for proper operation.
- 4 Mount the unit(s) into the radio opening in the sub dash using the (2) black oval head Phillips screws provided. (Figure C)
- 5 Snap the Double DIN Trim Plate onto the front of the unit(s). (Figure D)



1-800-221-0932



www.metraonline.com

REV. 05/28/09 © COPYRIGHT 2008 METRA ELECTRONICS CORPORATION INST95-3107