



Ford Ecosport 2020-2022

Visit MetraOnline.com for more detailed information about the product and up-to-date vehicle specific applications

KIT FEATURES

- ISO DDIN provision
- ISO DIN radio provision with pocket sold separately
- Textured to match the factory appearance

KIT COMPONENTS

- A) Radio trim panel • B) Radio bracket • C) Panel clips (8)

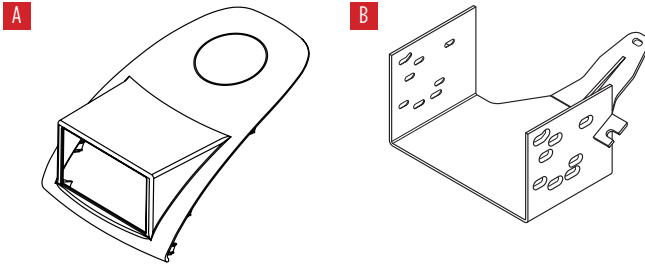


TABLE OF CONTENTS

Dash Disassembly.....	2
Kit Assembly.....	3

WIRING & ANTENNA CONNECTIONS

Wiring Harness: Visit metraonline.com for audio/video and steering wheel control interface options.
Antenna Adapter: 40-EU10

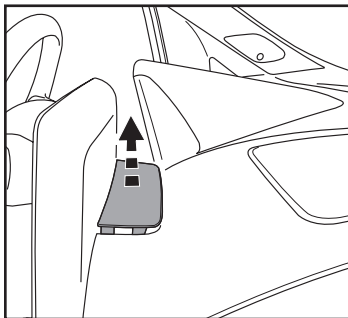
TOOLS REQUIRED

- Panel removal tool • Phillips screwdriver
- Socket wrench

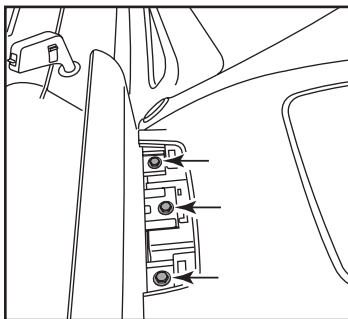
Attention! With the key out of the ignition, disconnect the negative battery terminal before installing this product. Ensure that all installation connections are secure before cycling the ignition to test this product.

DASH DISASSEMBLY

1. Unclip and remove the small trim panel behind the factory radio display. (Figure A)
2. Remove (3) 7mm screws under trim panel. (Figure B)



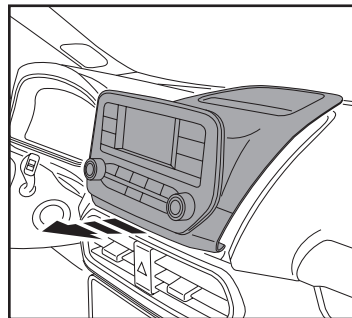
(Figure A)



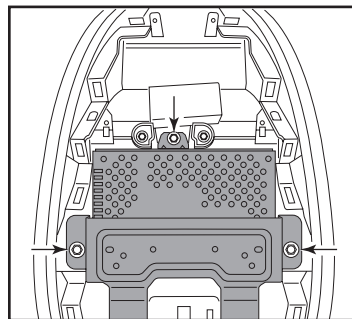
(Figure B)

3. Unclip and remove the display and panel containing the display. (Figure C)
4. Remove (3) 8mm screws securing the radio chassis. (Figure D)

Continue to Kit Assembly



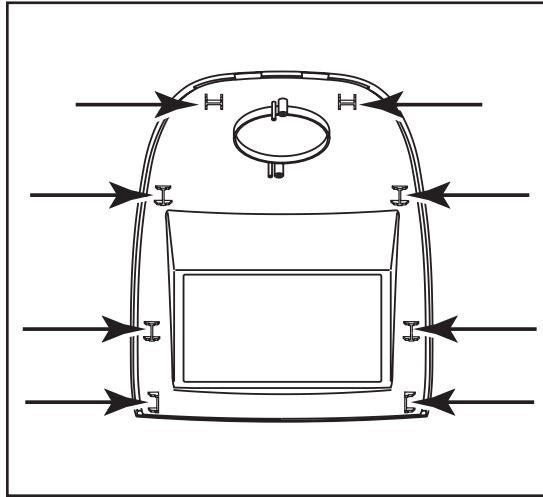
(Figure C)



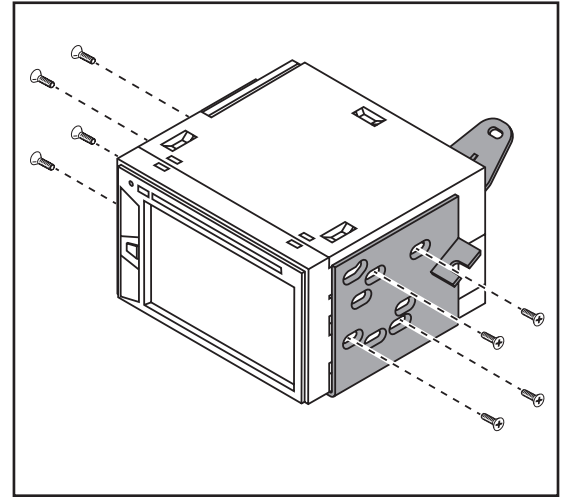
(Figure D)

KIT ASSEMBLY

1. Attach the (8) supplied **panel clips** to the radio housing. (Figure A)
2. Attach the **radio bracket** to the radio using screws supplied with the radio. (Figure B)
3. Locate the factory wiring harness and antenna connector in the dash, and complete all necessary connections to the radio. Metra recommends using the proper mating adapter from Metra and/or AXXESS. Re-connect the negative battery terminal and test the radio for proper operation.
4. Secure the radio assembly into the dash opening.
5. Snap the **radio trim panel** over the radio and reassemble the dash in reverse order of disassembly.



(Figure A)



(Figure B)



95-5868
INSTALLATION INSTRUCTIONS



Having difficulties? We're here to help.



Contact our Tech Support line at:

386-257-1187



Or via email at:

techsupport@metra-autosound.com

Tech Support Hours (Eastern Standard Time)

Monday - Friday: 9:00 AM - 7:00 PM

Saturday: 10:00 AM - 5:00 PM

Sunday: 10:00 AM - 4:00 PM



**Metra recommends MECP
certified technicians**