



Fits Kia Sportage 2020-2021

(with auto climate control and factory amplifier)

Visit [MetraOnline.com](https://www.MetraOnline.com) for more detailed information about the product and up-to-date vehicle specific applications.

KIT FEATURES

- ISO DDIN radio provision
- Retains factory steering wheel controls and back up camera
- Integrated electronics with laser etched graphics retain the factory climate control display features.
- Painted scratch resistant matte black

KIT COMPONENTS

- A) Radio trim panel • B) Radio brackets • C) Climate display • Not shown: Wiring harness

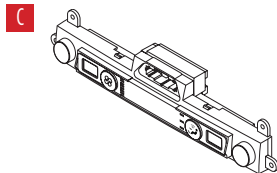
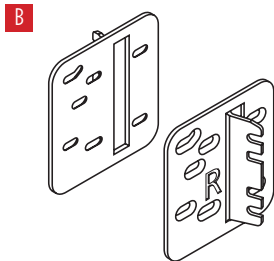
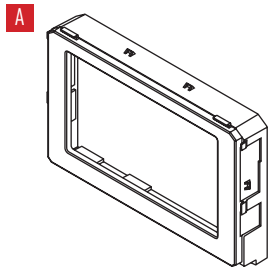


TABLE OF CONTENTS

Dash Disassembly.....	2-3
Kit Preparation.....	4-6
Kit Assembly	7
Wiring Instructions.....	8-15

WIRING & ANTENNA CONNECTIONS

Included with kit

- Wiring Harness: Interface and harness
- Antenna Adapter
- Steering wheel control interface
- 12v to 6v camera step-down

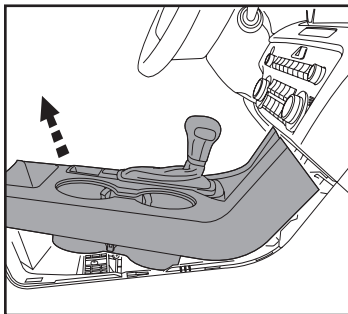
TOOLS REQUIRED

- Panel removal tool • Phillips screwdriver
- Pick tool

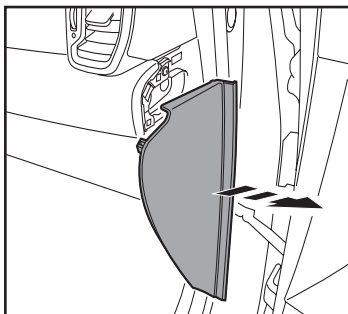
ATTENTION: With the key out of the ignition, disconnect the negative battery terminal before installing this product. Ensure that all installation connections, especially the air bag indicator lights, are plugged in before reconnecting the battery or cycling the ignition to test this product. **NOTE:** Refer also to the instructions included with the aftermarket accessory before installing this device.

DASH DISASSEMBLY

1. Unclip and slide the top of the center console back slightly. (Figure A)
2. Unclip and remove the panel on the end of the passenger side of the dash, then remove (1) Phillips screw exposed. (Figure B)



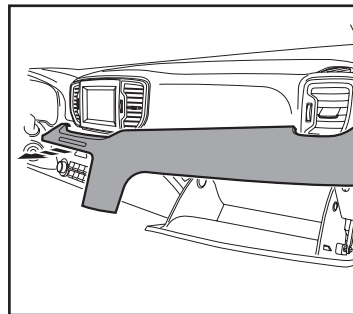
(Figure A)



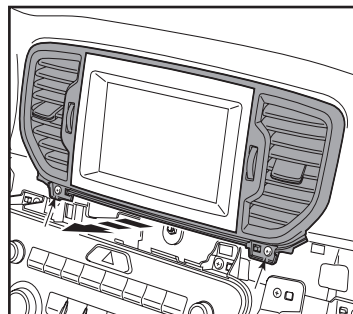
(Figure B)

3. Unclip the panel above the glove box. Unplug the passenger airbag light, then remove the panel. (Figure C)
4. Remove (2) Phillips screws securing the radio display and a/c vent panel, then unclip and remove the panel. (Figure D)

Continued on the next page



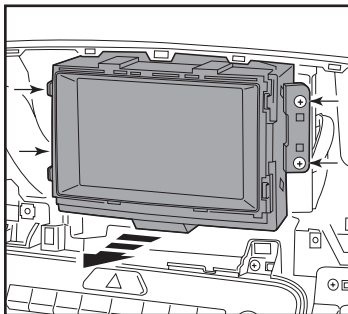
(Figure C)



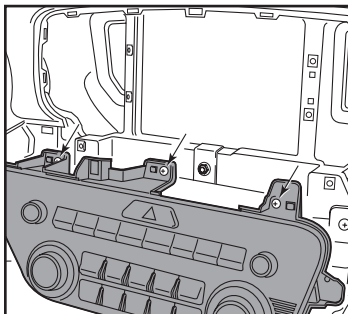
(Figure D)

DASH DISASSEMBLY (CONT.)

- Remove (4) Phillips screws securing the radio. Slide the radio out, then unplug and remove the radio. (Figure E)
- Remove (3) Phillips screw securing the climate control panel. (Figure F)



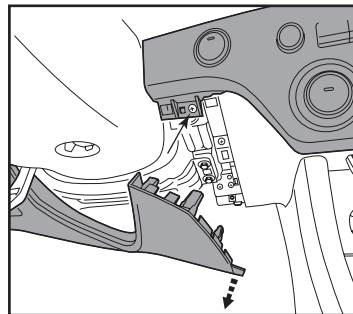
(Figure E)



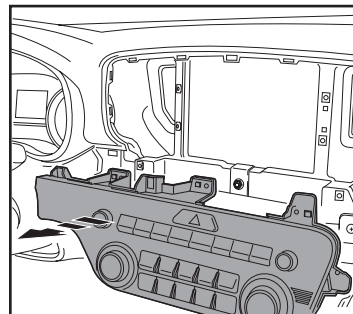
(Figure F)

- Remove (1) Phillips screw securing the lower right side drivers knee bolster. Unsnap the bolster just enough to access the (1) Phillips screw securing the climate control panel, then remove the screw. (Figure G)
- Unclip the climate/radio control panel from the dash, unplug the connectors, then remove the panel. (Figure H)

Continue to Kit Preparation



(Figure G)



(Figure H)

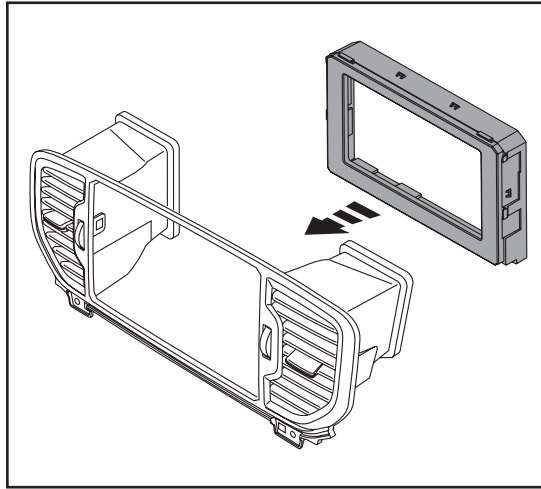
KIT PREPARATION

Radio Trim Panel Installation

To the factory radio trim panel:

2. Snap in the 95-7299B **radio trim panel** to the factory panel. (Figure A)

Continued on the next page



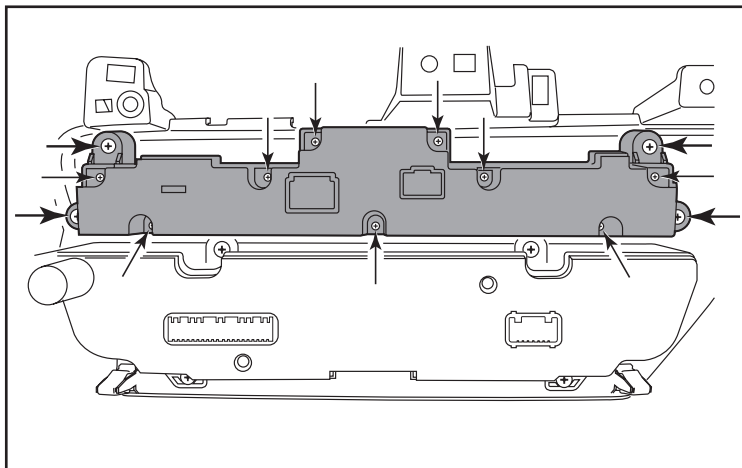
(Figure A)

KIT PREPARATION (CONT.)

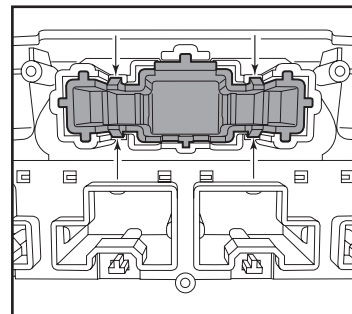
Climate Display Installation

1. Remove (4) Phillips screws securing the radio/hazard assembly to the climate/radio control panel, then unclip and remove the assembly. (Figure C, heavier arrows)
2. Remove (9) Phillips screws securing the back cover to the radio/hazard assembly, then remove the cover. (Figure C)
3. Using a pick tool, gently release (4) clips holding the hazard switch to the assembly, then remove the switch. (Figure D)

Continued on the next page



(Figure C)

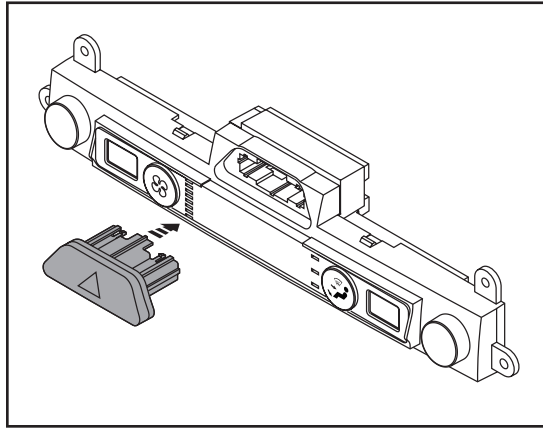


(Figure D)

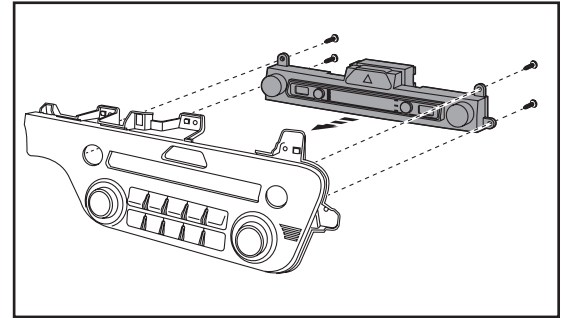
KIT PREPARATION (CONT.)

4. Clip the hazard switch into the *climate display*. (Figure E)
5. Secure the climate-display/hazard-switch assembly to the climate control panel using the factory screws. (Figure F)

Continue to Kit Assembly



(Figure E)



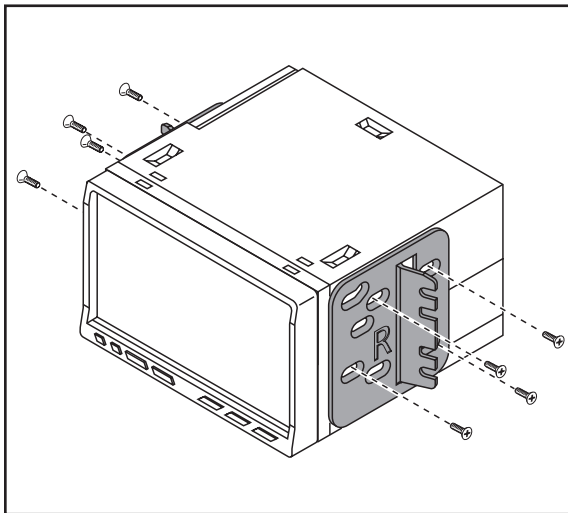
(Figure F)

KIT ASSEMBLY

ISO DDIN radio provision

1. Secure the **radio brackets** to the radio using the screws supplied with the radio. (Figure A)

Continue to Wiring Instructions



(Figure A)

AXXESS INTERFACE INSTALLATION

INTERFACE FEATURES

- Retains audio controls on the steering wheel
- Provides NAV outputs (parking brake, reverse, speed sense)
- Retains the factory AUX-IN jack
- Retains the factory backup camera
- Includes an AX-CAM6V 12-to-6V step-down for the factory camera
- Retains balance
- Micro “B” USB updatable

INTERFACE COMPONENTS

- Axxess interface
- AX-HYKIA-SPDIF interface
- AX-CAM6V
- 7390 harness
- 16-pin harness with stripped leads
- Female 3.5mm connector with stripped leads

TABLE OF CONTENTS

Connections.....	9-10
Installation	10
Programming the interface and climate display	11
Final Assembly.....	11
Steering wheel control settings.....	12-15
- LED feedback	
- Changing radio type	
- Remapping the steering wheel control buttons	
- Dual assignment instructions (long button press)	

TOOLS REQUIRED

- Crimping tool and connectors, or solder gun, solder, and heat shrink
- Tape • Wire cutter • Zip ties

CONNECTIONS

From the 16-pin harness with stripped leads to the aftermarket radio:

- Connect the **Red** wire to the accessory wire.
- Connect the **Blue/White** wire to the amp turn on wire. This wire must be connected to hear sound from the factory amplifier.
- Connect the **Gray** wire to the right front positive speaker output.
- Connect the **Gray/Black** wire to the right front negative speaker output.
- Connect the **White** wire to the left front positive speaker output.
- Connect the **White/Black** wire to the left front negative speaker output.

The following (2) wires are only for multimedia/navigation radios that require these wires.

- Connect the **Green/Purple** wire to the reverse wire, and also to the **Blue/White** wire from the AX-CAM6V (sold separately).
- Connect the **Light Green** wire to the parking brake wire.
- Tape off and disregard the following (7) wires, they will not be used in this application: **Blue/Pink, Brown, Green, Green/Black, Orange/White, Purple, Purple/Black**

From the 7390 harness to the aftermarket radio:

- Connect the **Black** wire, and also the **Black** wire from the AX-CAM6V, to the ground wire.
- Connect the **Yellow** wire to the battery wire.
- Connect the **Red** wire labeled “CAMERA POWER 6V” to the **Blue/Red** wire from the AX-CAM6V.
- Connect the **Blue** wire to the power antenna wire.
- If the aftermarket radio has an illumination wire, connect the **Orange** wire to it.

The following (1) wire is only for a multimedia/navigation radio that requires this wire.

- Connect the **Blue/Pink** wire to the VSS/speed sense wire.
- Tape off and disregard the following (2) wires, they will not be used in this application:
 - **Green/Purple, Light Green**
- If retaining the factory AUX-In jack, connect the **Red** and **White** RCA jacks to the audio AUX-IN jacks from the aftermarket radio.
- Connect the **Yellow** RCA jack to the backup camera input.

Continued on the next page

3.5mm jack steering wheel control retention:

The 3.5mm jack is to be used to retain audio controls on the steering wheel.

- For the radios listed below, connect the *female 3.5mm connector with stripped leads*, to the male 3.5mm SWC jack from the 7390 harness. Any remaining wires tape off and disregard:
 - Eclipse:** Connect the steering wheel control wire, normally **Brown**, to the **Brown/White** wire of the connector. Then connect the remaining steering wheel control wire, normally **Brown/White**, to the **Brown** wire of the connector.
 - Metra OE:** Connect the steering wheel control Key 1 wire (**Gray**) to the **Brown** wire.
 - Kenwood or select JVC with a steering wheel control wire:** Connect the **Blue/Yellow** wire to the **Brown** wire.

Note: If your **Kenwood** radio auto detects as a **JVC**, manually set the radio type to **Kenwood**. See the instructions under changing radio type.
 - XITE:** Connect the steering wheel control SWC-2 wire from the radio to the **Brown** wire.
 - Parrot Asteroid Smart or Tablet:** Connect the 3.5mm jack into the AX-SWC-PARROT (sold separately), and then connect the 4-pin connector from the AX-SWC-PARROT into the radio.

Note: The radio must be updated to rev. 2.1.4 or higher software.
 - Universal “2 or 3 wire” radio:** Connect the steering wheel control wire, referred to as Key-A or SWC-1, to the **Brown** wire of the connector. Then connect the remaining steering wheel control wire, referred to as Key-B or SWC-2, to the **Brown/White** wire of the connector. If the radio comes with a third wire for ground, disregard this wire. **Note:** After the interface has been programmed to the vehicle, refer to the manual provided with the radio for assigning the SWC buttons. Contact the radio manufacturer for more information.
- For all other radios:** Connect the 3.5mm jack from the 7390 harness into the jack on the aftermarket radio designated for an external steering wheel control interface. Please refer to the aftermarket radios manual if in doubt as to where the 3.5mm jack goes to.

With the key in the off position:

- Connect the 16-pin harness with stripped leads, and the 7390 harness, into the interface.
- Connect the AX-HYKIA-SPDIF to the interface.
- Locate the factory antenna connector in the dash and complete all necessary connections to the radio. Use the antenna adapter provided to adapt the factory antenna connector to the aftermarket radio.

Attention! Do not connect the 7390 harness to the wiring harness in the vehicle just yet.

Attention! If retaining steering wheel controls, ensure that the SWC jack/wire is connected to the radio before proceeding. If this step is skipped, the interface will need to be reset for the steering wheel controls to function.

PROGRAMMING THE INTERFACE AND CLIMATE DISPLAY

Programming the interface:

For the steps below, the LED located inside the interface can only be seen while active. The interface does not need to be opened to see the LED

- Start the vehicle.
- Connect the 7390 harness to the wiring harness in the vehicle.
- The LED will initially turn on solid **Green**, then turn off for a few seconds while it auto detects the radio installed.
- The LED will then flash **Red** up to (24) times indicating which radio is connected to the interface, and then turn off for a couple of seconds. Pay close attention to how many **Red** flashes there are. This will help in troubleshooting, if need be. Refer to the LED feedback section for more information.
- After a couple seconds the LED will turn on solid **Red** while the interface auto detects the vehicle. The radio will shut off at this point. This process should take 5 to 30 seconds.
- Once the vehicle has been auto detected by the interface, the LED will turn on solid **Green**, and the radio will come back on, indicating programming was successful.
- Test all functions of the installation for proper operation, before reassembling the dash. Refer to “Steering Wheel Control Settings” for customizing the buttons, if so desired.
- If the interface fails to function, refer to “Resetting the interface”.

Note: The LED will turn on solid Green for a moment, and then turn off under normal operation after the key has been cycled.

Programming the climate display:

1. Turn the parking lights on.
2. Turn the vehicles light dimmer all the way down, then all the way up.
3. Turn the lights off.
4. Test all functions of the installation for proper operation, before reassembling the dash.

FINAL ASSEMBLY

1. Secure the climate control assembly to the dash in reverse order of disassembly using the factory screws.
2. Secure the radio assembly to the dash using the factory screws.
3. Reassemble the dash in reverse order of disassembly to complete the installation.

STEERING WHEEL CONTROL SETTINGS

LED Feedback: The (24) **Red LED** flashes represent a different radio manufacturer for the **SWC interface** to detect. For example, if you are installing a **JVC** radio, the **SWC interface** will flash **Red** (5) times, then stop. Following is the **LED Feedback Legend**, which indicates the flash count of the radio manufacturer.

LED Feedback Legend

Flash Count	Radio
1	Eclipse (type 1) †
2	Kenwood ‡
3	Clarion (type 1) †
4	Sony / Dual
5	JVC
6	Pioneer / Jensen
7	Alpine *
8	Visteon
9	Valor
10	Clarion (type 2) †
11	Metra OE
12	Eclipse (type 2) †

Flash Count	Radio
13	LG
14	Parrot **
15	XITE
16	Philips
17	TBA
18	JBL
19	Insane
20	Magnadyne
21	Boss
22	Axxera
23	Axxerra (type 2)*
24	Alpine (type 2)*

KEYNOTES

* If the **SWC interface** flashes **Red** (7) times, and an **Alpine** radio is not installed, that means there is an open connection not accounted for. Verify that the 3.5mm jack is connected to the correct steering wheel jack/wire in the radio.

** The **AXSWCH-PAR** is required (sold separately). Also, the software in the radio must be rev. 2.1.4 or higher.

† If a **Clarion** or **Eclipse** radio is installed and the steering wheel controls do not function, change the radio to **Clarion (type 2)** or **Eclipse (type 2)** respectively. If the steering wheel controls still do not function, refer to the **Changing Radio Type** chart in the next section or at axxessinterfaces.com.

‡ If a **Kenwood** radio is installed and the LED feedback flashes (5) times instead of (2), manually change the radio type to **Kenwood**. To do this, refer to the **Changing Radio Type** document in the next section or available at axxessinterfaces.com.

Continued on the next page

STEERING WHEEL CONTROL SETTINGS *(CONT.)*

Changing radio type

If the LED flashes do not match the radio you have connected, you must manually program the Axxess interface to tell it what radio it is connected to.

1. After (3) seconds of turning the key on, press and hold the “Volume-Down” button on the steering wheel until the LED in the Axxess interface goes solid.
2. Release the “Volume-Down” button; the LED will go out indicating the Axxess interface is in “Changing Radio Type” mode.
3. Refer to the **Radio Legend** to know which radio number you would like to have programmed.
4. Press and hold the “Volume-Up” button until the LED goes solid, and then release. Repeat this step for the desired radio number you have selected.
5. Once the desired radio number has been selected, press and hold the “Volume-Down” button on the steering wheel until the LED goes solid. The LED will remain on for about (3) seconds while it stores the new radio information.
6. Once the LED goes out, the “Changing Radio Type” mode will then end. You can now test the steering control wheel controls.

Note: If at any time the user fails to press any button for a period longer than (10) seconds, this process will abort.

Flash Count Radio Legend
1. Eclipse (type 1)
2. Kenwood
3. Clarion (type 1)
4. Sony / Dual
5. JVC
6. Pioneer / Jensen
7. Alpine
8. Visteon
9. Valor
10. Clarion (type 2)
11. Metra OE
12. Eclipse (type 2)
13. LG
14. Parrot
15. XITE
16. Philips
17. Kicker
18. JBL
19. Insane
20. Magnadyne
21. Boss
22. Axxera
23. Axxerra (type 2)
24. Alpine (type 2)

Continued on the next page

STEERING WHEEL CONTROL SETTINGS (CONT.)

Remapping the steering wheel control buttons

Once the SWC has been programmed, the button assignment for the steering wheel controls may be reassigned if so desired. For example, if the “Seek-Up” button is preferred to be the “Mute” button instead. Follow the steps below to remap the steering wheel control buttons.

1. Ensure the Axxess interface is visible so you can see the LED flashes to confirm button recognition.
Tip: Turning the radio off is recommended.
2. Within the first twenty seconds of turning the ignition on, press and hold the “Volume-Up” button on the steering wheel until the LED goes solid.
3. Release the “Volume-Up” button, the LED will then go out; The “Volume-Up” button has now been programmed.
4. Follow the list in the **Button Function Legend** to reference the order in which the steering wheel control buttons need to be programmed.

Note: If the next function on the list is not on the steering wheel, press the “Volume-Up” button for (1) second until the LED comes on to skip that function, and then release the “Volume-Up” button. This will tell the Axxess interface that this function is not available, and it will move on to the next function.

5. To complete the remapping process, press and hold the “Volume-Up” button until the LED in the Axxess interface goes out.

Continued on the next page

Button Function Legend

Function #	Function	Function #	Function
1	Volume-Up	10	Band
2	Volume-Down	11	Play/Enter
3	Seek-Up/Next	12	PTT (Push to Talk)
4	Seek-Down/Prev	13	On-Hook
5	Source/Mode	14	Off-Hook
6	Mute	15	Fan-Up *
7	Preset-Up	16	Fan-Down *
8	Preset-Down	17	Temp-Up *
9	Power	18	Temp-Down *

* Not applicable in this application

Note: Some radios may not have these commands. Please refer to the manual provided with the radio, or contact the radio manufacturer for specific commands recognized by that particular radio.

STEERING WHEEL CONTROL SETTINGS (CONT.)

Dual assignment instructions (long button press)

The **SWC** has the capability to assign (2) functions to a single button, except “Volume-Up” and “Volume-Down”. Follow the steps below to program the button(s) to the desired setting.

Note: “Seek-Up” and “Seek-Down” come pre-programmed as “Preset-Up” and “Preset-Down” for a long button press.

1. Turn the key to ignition but do not start the vehicle.
2. Press and hold the desired steering wheel control button for (10) seconds, or until the LED flashes rapidly. At this point release the button; the LED will then go solid.
3. Press and release the “Volume-Up” button the number of times corresponding to the new button number selected. Refer to the **Dual Assignment Legend**. The LED will flash rapidly while the “Volume-Up” button is being pressed, and then go back to a solid LED once released. Proceed to the next step once the “Volume-Up” button has been pressed the desired number of times.

Caution: If more than (10) seconds elapses between pressing the “Volume-Up” button, this procedure will abort, and the LED will go out.

4. Press the desired button to store it to memory. The LED will now go out indicating the new information has been stored to memory.

Note: These steps must be repeated for each button desired to assign a dual assignment feature to. To reset a button back to its default state, repeat Step 1, then press the “Volume-Down” button. The LED will go out, and the dual assignment feature for that button will be erased.

Dual Assignment Legend

Function #	Function	Function #	Function
1	Not allowed	10	Band
2	Not allowed	11	Play/Enter
3	Seek-Up/Next	12	PTT (Push to Talk)
4	Seek-Down/Prev	13	On-Hook
5	Mode/Source	14	Off-Hook
6	ATT/Mute	15	Fan-Up *
7	Preset-Up	16	Fan-Down *
8	Preset-Down	17	Temp-Up *
9	Power	18	Temp-Down *

* Not applicable in this application



95-7299B
INSTALLATION INSTRUCTIONS



Having difficulties? We're here to help.



Contact our Tech Support line at:

386-257-1187



Or via email at:

techsupport@metra-autosound.com

Tech Support Hours (Eastern Standard Time)

Monday - Friday: 9:00 AM - 7:00 PM

Saturday: 10:00 AM - 5:00 PM

Sunday: 10:00 AM - 4:00 PM



**Metra recommends MECP
certified technicians**



Compatible con Kia Sportage 2020-2021

(con climatizador automático y amplificador de fábrica)

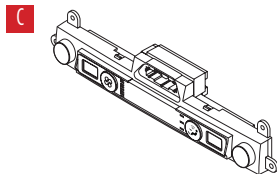
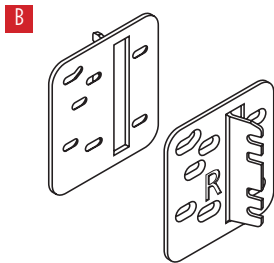
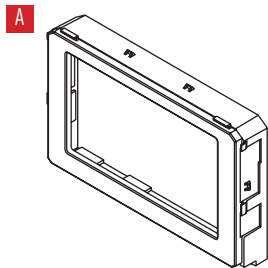
Visite MetraOnline.com para más información acerca del producto y las aplicaciones específicas más actualizadas del vehículo

CARACTERÍSTICAS DEL KIT

- Provisión de radio ISO DDIN
- Los componentes electrónicos integrados con gráficos grabados con láser conservan las características de la pantalla de control de clima de fábrica.
- Conserva los controles del volante de fábrica y la cámara de respaldo
- Pintado negro mate resistente a los arañazos.

COMPONENTES DEL KIT

- A) Panel de moldura para radio • B) Soportes del radio • C) Pantalla de clima • D) Arnés de cableado (no se muestra)



INDICE

Desmontaje del tablero	2-3
Preparación del kit	4-6
Ensamble del kit	7
Instalación de la interfaz Axxess.....	8-15

CABLEADO Y CONEXIONES DE ANTENA

- Arnés de cableado: Incluye interfaz y arnés
- Adaptador de antena: Se incluye con el kit
- Interfaz de control al volante: Se incluye con el kit
- Reductor de 12 a 6 v para la cámara: incluido con el kit

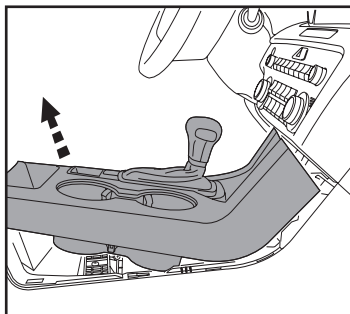
HERRAMIENTAS NECESARIAS

- Herramienta para remoción de paneles
- Destornillador Phillips • Herramienta en punta

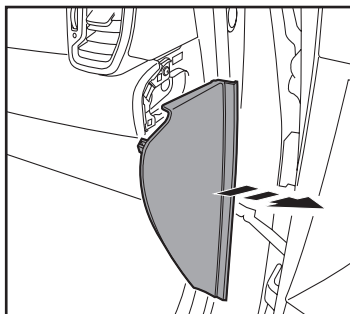
ATENCIÓN: Sin tener la llave puesta en la marcha, desconecte la terminal negativa de la batería antes de instalar este producto. Asegúrese de que todas las conexiones de la instalación, en especial las luces indicadoras de las bolsas de aire, estén conectadas antes de volver a conectar la batería o dar vuelta a la marcha para probar este producto.
NOTA: También consulte las instrucciones incluidas con el radio genérico.

DESMONTAJE DEL TABLERO

1. Desenganche la parte superior de la consola central y deslícela ligeramente hacia atrás. (Figura A)
2. Desenganche el panel en el extremo del tablero del lado del copiloto y quitelo. Después, quite (1) tornillo Phillips expuesto. (Figura B)



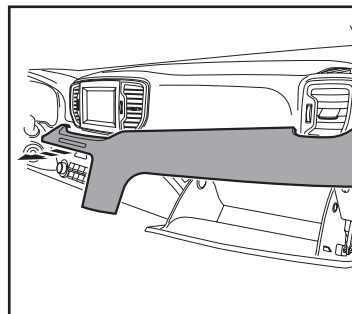
(Figura A)



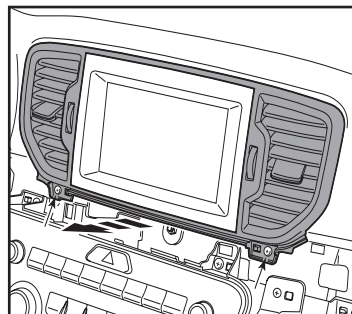
(Figura B)

3. Desenganche el panel que está encima de la guantera. Desconecte la luz de la bolsa de aire del copiloto y después, el panel. (Figura C)
4. Quite (2) tornillos Phillips que fijan la pantalla del radio y el panel de rejillas de aire acondicionado. Después, desenganche el panel y quitelo. (Figura D)

Continúa en la siguiente página



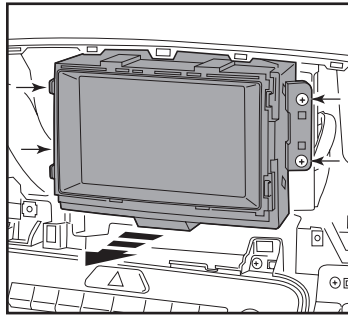
(Figura C)



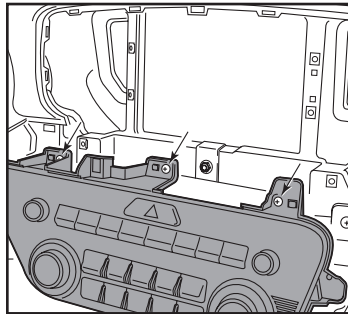
(Figura D)

DESMONTAJE DEL TABLERO (CONT.)

5. Quite los (4) tornillos Phillips que sujetan el radio. Deslice el radio hacia afuera. Después, desconecte el radio y quítelo. (Figura E)
6. Quite (3) tornillos Phillips que fijan el panel de control de clima. (Figura F)



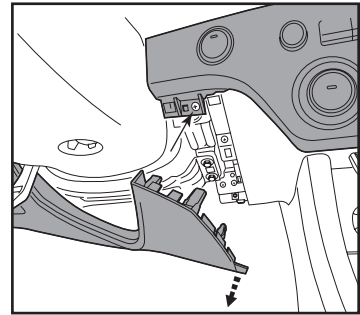
(Figura E)



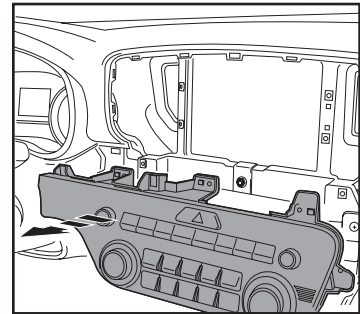
(Figura F)

7. Quite (1) tornillo Phillips que fija la bolsa de aire de rodillas del lado inferior derecho del lado del conductor. Quite a presión al bolsa de aire lo suficiente para llegar al (1) tornillo Phillips que fija el panel de control de clima. Después, quite el tornillo. (Figura G)
8. Desenganche el panel de radio/clima del tablero, desconecte los conectores y después, quite el panel. (Figura H)

Continúe con la preparación del kit



(Figura G)



(Figura H)

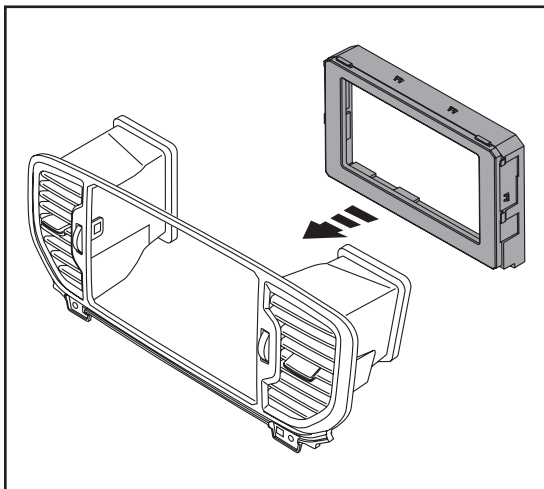
PREPARACIÓN DEL KIT

Instalación del panel de moldura de radio

Al panel de moldura de radio de fábrica:

2. Meta a presión el **panel de moldura de radio** 95-7299B en el panel de fábrica. (Figura A)

Continúa en la siguiente página

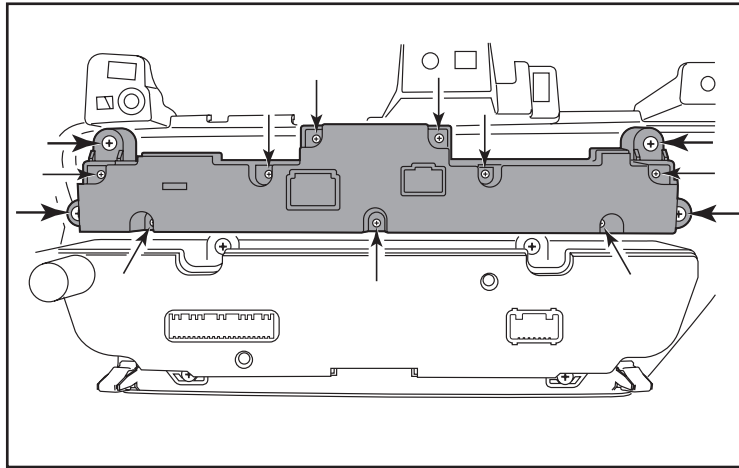


(Figura A)

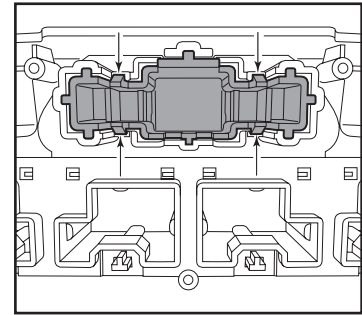
PREPARACIÓN DEL KIT (CONT.)

Instalación de la pantalla de clima

1. Quite (4) tornillos Phillips que fijan el ensamble de radio/luces intermitentes al panel de control de radio/clima. Después, desenganche el ensamble y quítelo. (Figura C, flechas más grandes)
2. Quite (9) tornillos Phillips que fijan la cubierta posterior al ensamble de radio/luces intermitentes. Después, quite la cubierta. (Figura C)
3. Con una herramienta de punta, separe con cuidado (4) ganchos que sostienen el interruptor de las luces intermitentes al ensamble. Después, quite el interruptor. (Figura D)



(Figura C)



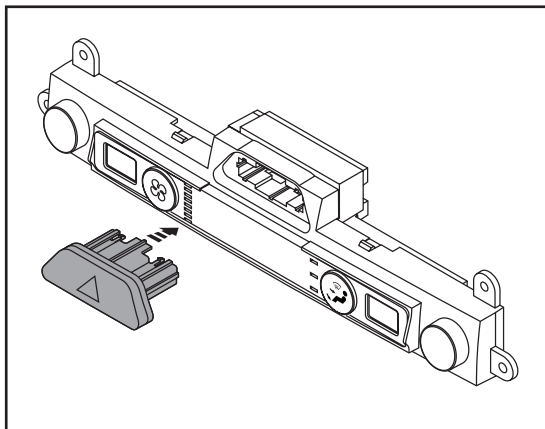
(Figura D)

Continúa en la siguiente página

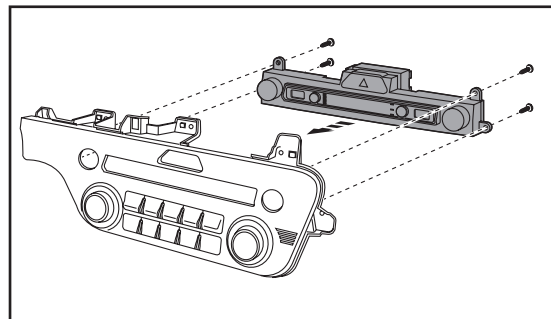
PREPARACIÓN DEL KIT (CONT.)

- Enganche el interruptor de las luces intermitentes en la **pantalla de clima**. (Figura E)
- Fije el ensamble del interruptor de luces intermitentes/pantalla de clima al panel de control de clima con los tornillos de fábrica. (Figura F)

Continúe con el ensamble del kit



(Figura E)



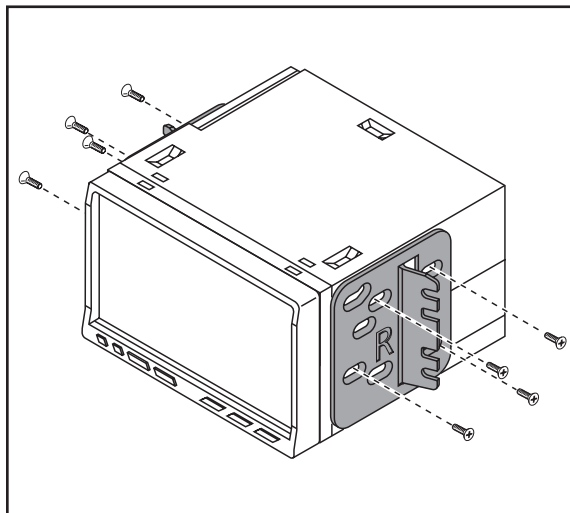
(Figura F)

ENSAMBLE DEL KIT

Provisión de radio ISO DDIN

1. Sujete los **soportes al radio** usando los tornillos que vienen con el radio.
(Figura A)

Continúe con la instalación de la interfaz Axxess



(Figura A)

INSTALACIÓN DE LA INTERFAZ AXCESS

CARACTERÍSTICAS DE LA INTERFAZ

- Conserva los controles de audio en el volante
- Cuenta con salidas de NAV (freno de mano, reversa, sensor de velocidad)
- Conserva la entrada AUX-IN de fábrica
- Conserva la cámara de reversa de fábrica
- Incluye un reductor de 12 a 6 v AX-CAM6V para la cámara de fábrica
- Conserva el balance
- Actualizable por micro USB “B”

COMPONENTES DE LA INTERFASE

- Interfaz Axxess
- Interfaz AX-HYKIA-SPDIF
- AX-CAM6V
- Arnés 7390
- Arnés de 16 pins con conectores pelados
- Conector hembra de 3.5 mm con conectores pelados

INDICE

Conexiones.....	9-10
Instalación.....	10
Ensamble final	11
Programación de la INTERFAZ y la pantalla de clima.....	11
Configuración de los controles en el volante (SWC)	12-15
- Retroalimentación de LED	
- Cambio del tipo de radio	
- Remapeo de los botones de control en el volante	
- Instrucciones de asignación dual (presión extendida de botones)	

HERRAMIENTAS NECESARIAS

- Herramienta de engatillado y conectores o pistola de soldadura, soldadora y tubo termorretráctil • Cinta • Cortador de tubos • Abrazaderas plásticas

CONEXIONES A REALIZAR

Del arnés de 16 pins con conectores pelados al radio genérico:

- Conecte el cable **rojo** al cable de accesorios.
- Conecte el cable **azul con blanco** con el cable de encendido del amplificador. Este cable debe estar conectado para escuchar sonido del amplificador de fábrica.
- Conecte el cable **gris** a la salida positiva de la bocina delantera derecha.
- Conecte el cable **gris con negro** a la salida negativa de la bocina delantera derecha.
- Conecte el cable **blanco** a la salida positiva de la bocina delantera izquierda.
- Conecte el cable **blanco con negro** a la salida negativa de la bocina delantera izquierda.

Los siguientes (2) cables son únicamente para radios con multimedia/navegación que los necesitan.

- Conecte el cable **verde con morado** al cable de reversa y al cable **azul con blanco** del AX-CAM6V (se vende por separado).
- Conecte el cable **verde claro** al cable de freno de mano.
- Encinte e ignore los siguientes (7) cables, ya que no se usarán en esta aplicación.
Azul con rosa, café, verde, verde con negro, anaranjado con blanco, morado, morado con negro

Desde el arnés 7399 al radio genérico:

- Conecte el cable **negro**, así como el cable **negro** del AX-CAM6V, al cable de tierra.
- Conecte el cable **amarillo** al cable de la batería.
- Conecte el cable **rojo** con la etiqueta "CAMERA POWER 6V" al cable **azul con rojo** del AX-CAM6V.
- Conecte el cable **azul** al cable de energía de la antena.
- Si el radio genérico tiene un cable de iluminación, conéctele el cable **anaranjado**.

El siguiente (1) cable es únicamente para un radio de navegación/multimedia que lo necesite.

- Conecte el cable **azul con rosa** al cable de VSS/sensor de velocidad.
- Encinte e ignore los siguientes (2) cables, ya que no se usarán en esta aplicación.
- **Verde con morado, verde claro**
- Si se quiere conservar la entrada AUX-IN de fábrica, conecte las entradas RCA **roja y blanca** a las entradas AUX-IN de audio del radio genérico.
- Conecte la salida RCA **amarilla** a la entrada de la cámara de reversa.

Continúa en la siguiente página

Conservación del control en volante con entrada de 3.5 mm:

La entrada de 3.5 mm debe usarse para conservar los controles de audio en el volante.

- Para los radios que se mencionan a continuación, conecte el conector *hembra de 3.5 mm con los conectores pelados a la entrada SWC macho de 3.5 mm del arnés 7390*. Todo cable restante debe encintarse y descartarse:
- **Eclipse:** Conecte el cable de control en volante, que suele ser **café**, al cable **café con blanco** del conector. Después, conecte el cable restante de control en volante, que suele ser **café con blanco**, al cable **café** del conector.
- **Metra OE:** Conecte el cable Key 1 (**gris**) de control en el volante al cable **café**.
- **Kenwood o ciertos modelos JVC con un cable de control en el volante:** Conecte el cable **azul con amarillo** al cable **café**.

Nota: Si su radio **Kenwood** se detecta automáticamente como **JVC**, defina manualmente el tipo de radio a **Kenwood**.

Vea las instrucciones a continuación para cambiar el tipo de radio.

- **XITE:** Conecte el cable SWC-2 de control en el volante del radio al cable **café**.
- **Parrot Asteroid Smart o Tablet:** Conecte el conector de 3.5 mm al AX-SWC-PARROT (se vende por separado) y después, conecte el conector de 4 pins del AX-SWC-PARROT al radio.
Nota: El radio debe estar actualizado a la versión de software 2.1.4 o posterior.
- **Radio universal de "2 o 3 cables":** Conecte el cable de control en volante, que se conoce como Key-A o SWC-1, al cable **café** del conector. Después, conecte el cable de control en volante restante, que se conoce como Key-B o SWC-2, al cable **café con blanco** del conector. Si el radio incluye un tercer cable de puesta a tierra, descarte este cable. **Nota:** Después de haber programado la interfaz al vehículo, consulte el manual incluido con el radio para saber cómo asignar los botones SWC. Comuníquese con el fabricante de radio para más información.
- **Para todos los demás radios:** Conecte el conector de 3.5 mm del arnés 7390 en la entrada en el radio genérico designada para una interfaz de control al volante externa. Consulte el manual de los radios genéricos en caso de tener dudas sobre adónde va el conector de 3.5 mm.

Con la llave en la posición de apagado:

1. Conecte el arnés de 16 pins con conectores pelados y el arnés 7390 a la interfaz.
2. Conecte el AX-HYKIA-SPDIF a la interfaz.
3. Localice el conector de la antena de fábrica en el tablero y realice todas las conexiones necesarias al radio. Use el adaptador de antena incluido para adaptar el conector de antena de fábrica al radio genérico.

¡Atención! No conecte el arnés 7390 al arnés de cableado en el vehículo todavía.

¡Atención! Si va a conservar los controles en el volante, asegúrese de que el cable/entrada SWC esté conectado al radio antes de continuar. Si se salta este paso, tendrá que restablecerse la interfaz para que funcionen los controles en el volante.

PROGRAMACIÓN DE LA INTERFAZ Y LA PANTALLA DE CLIMA

Programación de la interfaz:

Para los pasos que se encuentran a continuación, la luz LED que se encuentra dentro de la interfaz únicamente podrá verse mientras esté activa. No es necesario abrir la interfaz para ver la luz LED.

- Encienda el vehículo.
- Conecte el arnés 7390 al arnés del cableado en el vehículo.
- La luz LED se encenderá en **verde** fijo. Después, se apagará durante unos cuantos segundos si detecta automáticamente el radio que se instaló.
- Posteriormente, la luz LED parpadeará (24) veces en **rojo**, lo que indicará qué radio está conectado a la interfaz. Después, se apagará por unos cuantos segundos. Preste atención a la cantidad de veces que parpadee la luz en **rojo**. Esto le ayudará en la resolución de problemas, en caso de ser necesario. Consulte la sección de retroalimentación de LED para más información.
- Después de unos segundos, la luz LED se encenderá en **rojo** fijo mientras la interfaz detecta automáticamente el vehículo. El radio se apagará en este momento. Este proceso debe de tomar entre 5 y 30 segundos.
- Cuando la interfaz haya detectado automáticamente el vehículo, la luz LED se encenderá en **verde** fijo y el radio se encenderá nuevamente, lo que indicará que la programación fue exitosa.
- Antes de volver a armar el tablero, pruebe todas las funciones de la instalación para corroborar que todo funciona correctamente. Consulte la sección “Configuración de controles en el volante” para más información sobre la personalización de los botones, si así lo desea.
- Si la interfaz no funciona, consulte la sección “Restablecimiento de la interfaz”.

Nota: La luz LED se encenderá en verde fijo por un momento. Después, se apagará en su funcionamiento normal cuando se gire la llave.

Programación de la pantalla de clima:

1. Encienda las luces intermitentes.
2. Baje la intensidad del atenuador de luz del vehículo al mínimo. Después, súbala al máximo.
3. Apague las luces.
4. Antes de volver a armar el tablero, pruebe todas las funciones de la instalación para corroborar que todo funciona correctamente.

ENSAMBLE FINAL

1. Fije el ensamble de control de clima al tablero al revés de como lo desarmó, usando los tornillos de fábrica.
2. Fije el ensamble del radio al tablero con los tornillos de fábrica.
3. Vuelva a armar el tablero al revés de como lo desarmó para terminar la instalación.

CONFIGURACIÓN DE CONTROLES EN EL VOLANTE

Retroalimentación de LED

Los (24) parpadeos de la luz LED en color **Rojo** representan la marca del radio que el **SWC** detectó que está conectado. Cada parpadeo representa un fabricante de radio diferente. Por ejemplo, si está instalando un radio **JVC**, el **SWC** parpadeará en **Rojo** (5) veces antes de apagarse. A continuación se incluye una lista de leyendas que indica a qué fabricante de radio corresponde cada parpadeo.

Retroalimentación de LED

Conteo de Parpadeos	Radio	Conteo de Parpadeos	Radio
1	Eclipse (Tipo 1)†	13	LG
2	Kenwood ‡	14	Parrot**
3	Clarion (Tipo 1)†	15	XITE
4	Sony/Dual	16	Philips
5	JVC	17	TBD
6	Pioneer/Jensen	18	JBL
7	Alpine*	19	Insane
8	Visteon	20	Magnadyne
9	Valor	21	Boss
10	Clarion (Tipo 2)†	22	Axxera
11	Metra OE	23	Axxera (Tipo 2)*
12	Eclipse (Tipo 2)†	24	Alpine (Tipo 2)*

* **Nota:** Si la **interfaz SWC** parpadea en **Rojo** (7) veces y no tiene conectado un radio **Alpine**, quiere decir que la **interfaz SWC** no detecta el radio que está conectado. Revise que la entrada de 3.5 mm esté conectada al cable/entrada de volante correcto en el radio.

** **Nota:** Se necesita el **AXSWCH-PAR** (se vende por separado). Además, el radio Parrot debe estar actualizado a la versión de software 2.1.4 o posterior mediante www.parrot.com.

† **Nota:** Si tiene un radio **Clarion** y los controles en el volante no funcionan, cambie el tipo de radio al otro tipo de radio **Clarion**; haga lo mismo con **Eclipse**. La siguiente sección explica cómo hacerlo.

‡ **Nota:** Si tiene un radio **Kenwood** y la retroalimentación de LED vuelve a encenderse para indicar un radio **JVC**, cambie el tipo de radio a **Kenwood**. La siguiente sección explica cómo hacerlo.

Atención: La aplicación Axxess Updater también puede usarse para programar las siguientes (3) subsecciones, siempre y cuando se haya programado la interfaz Axxess.

Continúa en la siguiente página

CONFIGURACIÓN DE CONTROLES EN EL VOLANTE (CONT.)

Cambio de tipo de radio

Si el parpadeo de la luz LED no coincide con el radio que había conectado, debe programar la interfaz Axxess manualmente para que indique qué radio está conectado.

1. Después de (3) segundos de haber encendido la marcha, mantenga oprimido el botón de “Bajar volumen” en el volante hasta que la luz LED en la interfaz Axxess deje de parpadear.
2. Suelte el botón de “Bajar volumen”. La luz LED se apagará, lo que quiere decir que la interfaz Axxess está en modo de “Cambio de tipo de radio”.
3. Consulte la lista de **leyendas de radios** para saber qué número de radio le gustaría programar.
4. Mantenga oprimido el botón de “Subir volumen” hasta que la luz LED se encienda en color sólido. Después, suéltelo. Repita este paso hasta llegar al número de radio que haya seleccionado.
5. Cuando se haya seleccionado el número de radio deseado, mantenga oprimido el botón de “Bajar volumen” en el volante hasta que la luz LED deje de parpadear. La luz LED permanecerá encendida durante cerca de (3) segundos mientras guarda la información del radio nuevo.
6. Cuando se apague la luz LED, habrá terminado el modo de “Cambio de tipo de radio”. Ahora puede probar los controles en el volante.

Nota: Si el usuario no presiona ningún botón durante más de (10) segundos en algún momento, se abortará este proceso.

Continúa en la siguiente página

Leyendas de radios

Número de radio	Radio	Número de radio	Radio
1	Eclipse (Tipo 1)	13	LG
2	Kenwood	14	Parrot
3	Clarion (Tipo 1)	15	XITE
4	Sony/Dual	16	Philips
5	JVC	17	Kicker
6	Pioneer/Jensen	18	JBL
7	Alpine	19	Insane
8	Visteon	20	Magnadyne
9	Valor	21	Boss
10	Clarion (Tipo 2)	22	Axxera
11	Metra OE	23	Axxera (Tipo 2)
12	Eclipse (Tipo 2)	24	Alpine (Tipo 2)

CONFIGURACIÓN DE CONTROLES EN EL VOLANTE (CONT.)

Remapeo de los botones del control en el volante

Cuando se haya programado el SWC, podrá remapear la asignación de botones para los controles en el volante, si así se quiere. Por ejemplo, si prefiere que el botón “Buscar siguiente” sea el botón de “Silencio”. Siga los pasos que se mencionan a continuación para remapear los botones de control en el volante.

1. Asegúrese de que la interfaz Axxess sea visible para que pueda ver que la luz LED parpadea con el fin de confirmar el reconocimiento de los botones.
Sugerencia: Se recomienda apagar el radio.
2. Durante los primeros veinte segundos de haber encendido la marcha, oprima el botón de “Subir volumen” en el volante hasta que la luz LED deje de parpadear.
3. Suelte el botón de “Subir volumen”. La luz LED se apagará. En este momento se habrá programado el botón de “Subir volumen”.
4. Siga la lista de “**Leyenda de función de botones**” para consultar el orden en que tienen que programarse los botones de control en volante.

Nota: Si la siguiente función en la lista no está en el volante, oprima el botón de “Subir volumen” durante (1) segundo hasta que se encienda la luz LED para omitir esa función. Después, suelte el botón de “Subir volumen”. Esto le indicará a la interfaz Axxess que esta función no está disponible, por lo que pasará a la próxima función.

5. Para terminar el proceso de remapeo, mantenga oprimido el botón de “Subir volumen” hasta que se apague la luz LED en la interfaz Axxess.

Continúa en la siguiente página

Leyenda de función de botones

Función #	Función	Función #	Función
1	Volume-Up	10	Band
2	Volume-Down	11	Play/Enter
3	Seek-Up/Next	12	PTT (Push to Talk)
4	Seek-Down/Prev	13	On-Hook
5	Source/Mode	14	Off-Hook
6	Mute	15	Fan-Up *
7	Preset-Up	16	Fan-Down *
8	Preset-Down	17	Temp-Up *
9	Power	18	Temp-Down *

* No disponible en esta aplicación

Nota: Es posible que algunos radios no cuenten con estos comandos. Consulte el manual que incluye el radio o comuníquese con el fabricante del radio para consultar los comandos específicos que reconoce este radio en especial.

CONFIGURACIÓN DE CONTROLES EN EL VOLANTE (CONT.)

Instrucciones de asignación dual (presión extendida de botones)

El SWC-1 tiene la capacidad de asignar (2) funciones a un mismo botón, salvo por los botones de “Subir volumen” y “Bajar volumen”. Siga los pasos que están a continuación para programar el o los botones con la configuración deseada.

Nota: “Buscar siguiente” y “Buscar anterior” vienen preprogramados como “Subir preestablecido” y “Bajar preestablecido” cuando se presiona el botón por largo tiempo.

1. Encienda la marcha, pero no arranque el vehículo.
2. Mantenga oprimido el botón de control en el volante durante (10) segundos o hasta que la luz LED parpadee rápidamente. En este momento, suelte el botón y la luz LED dejará de parpadear.
3. Oprima el botón de “Subir volumen” la misma cantidad de veces que correspondan al número de botón nuevo seleccionado. Consulte la **leyenda de asignación dual**. La luz LED parpadeará rápidamente mientras se oprime el botón de “Subir volumen”, que dejará de parpadear cuando se suelte. Vaya al siguiente paso cuando se oprima el botón de “Subir volumen” la cantidad de veces deseada.

Precaución: Si pasan más de (10) segundos desde que oprimió el botón de “Subir volumen” por última vez, se abortará este procedimiento y se apagará la luz LED.

4. Oprima el botón deseado para guardarlo en la memoria. En este momento se apagará la luz LED para indicar que la nueva información ha quedado guardada en la memoria.

Nota: Debe repetir estos mismos pasos en cada botón al que quiere asignar una función dual. Para restablecer un botón a su estado predeterminado, repita el paso n.º 1. Después, oprima el botón de “Bajar volumen”. Se apagará la luz LED y se eliminará la función dual de ese botón.

Leyenda de asignación dual

Función #	Función	Función #	Función
1	Not allowed	10	Band
2	Not allowed	11	Play/Enter
3	Seek-Up/Next	12	PTT (Push to Talk)
4	Seek-Down/Prev	13	On-Hook
5	Mode/Source	14	Off-Hook
6	ATT/Mute	15	Fan-Up *
7	Preset-Up	16	Fan-Down *
8	Preset-Down	17	Temp-Up *
9	Power	18	Temp-Down *

* No disponible en esta aplicación



95-7299B
INSTRUCCIONES DE INSTALACIÓN



¿Tienes dificultades? Estamos aquí para ayudar.



Póngase en contacto con nuestra
línea de soporte técnico en:
386-257-1187



O por correo electrónico a:
techsupport@metra-autosound.com

Horas de soporte técnico (hora estándar del este)

Monday - Friday: 9:00 AM - 7:00 PM

Saturday: 10:00 AM - 5:00 PM

Sunday: 10:00 AM - 4:00 PM



**Metra recomienda MECP
técnicos certificados**