



## INSTALLATION INSTRUCTIONS FOR PART 95-7318

### APPLICATIONS

# 2005-2006 Kia Spectra 5

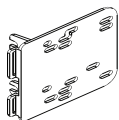
## 95-7318

#### KIT FEATURES

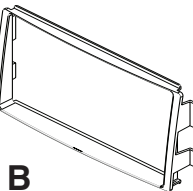
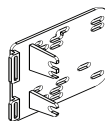
- DDIN Head Unit Provision
- ISO Stacked Head Unit Provision

#### KIT COMPONENTS

A) DDIN Brackets B) DDIN Trim Plate



A



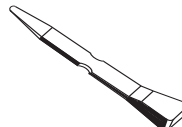
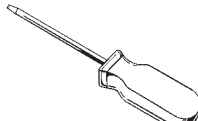
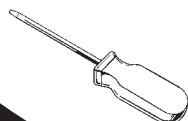
B

#### WIRING AND ANTENNA CONNECTIONS (Sold Separately)

- 70-7301 - 1999-up Kia / Hyundai harness

#### TOOLS REQUIRED:

Phillips Screwdriver • Small Flat Blade Screwdriver • Panel Removal Tool



**METRA. THE WORLD'S BEST KITS.™**



1-800-221-0932



[www.metraonline.com](http://www.metraonline.com)

© COPYRIGHT 2004-09 METRA ELECTRONICS CORPORATION



**95-7318**

# TABLE OF CONTENTS

---

**Dash Disassembly** ..... **1**

**Kit Assembly** ..... **2**

Note:

Refer also to the instructions included with the aftermarket radio.



### KNOWLEDGE IS POWER

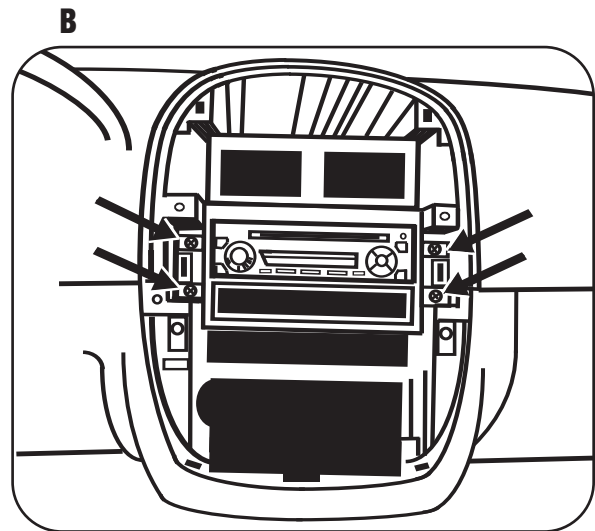
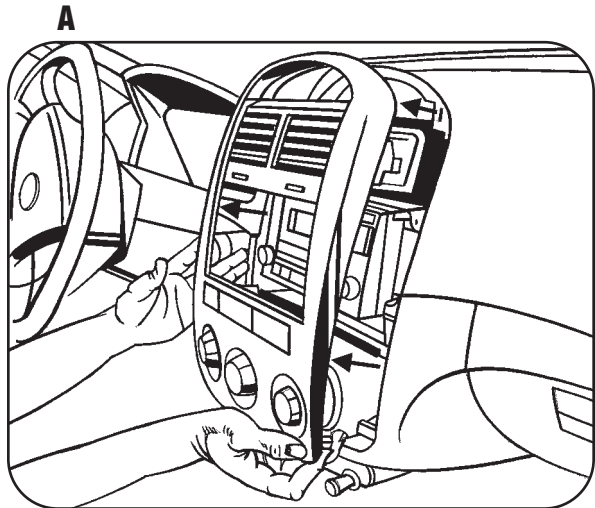
Enhance your installation and fabrication skills by enrolling in the most recognized and respected mobile electronics school in our industry. Log onto [www.installerinstitute.com](http://www.installerinstitute.com) or call 800-354-6782 for more information and take steps toward a better tomorrow.



Metra recommends MECP certified technicians

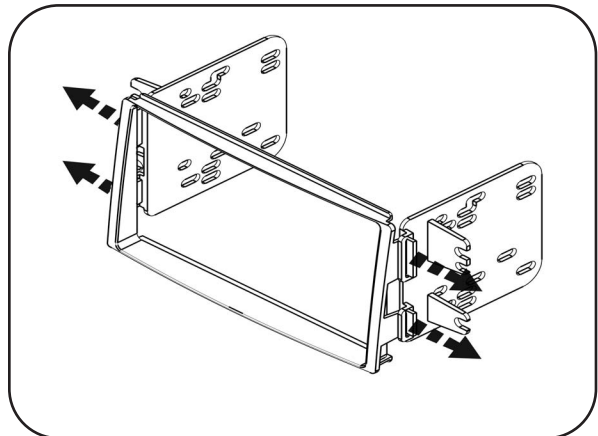
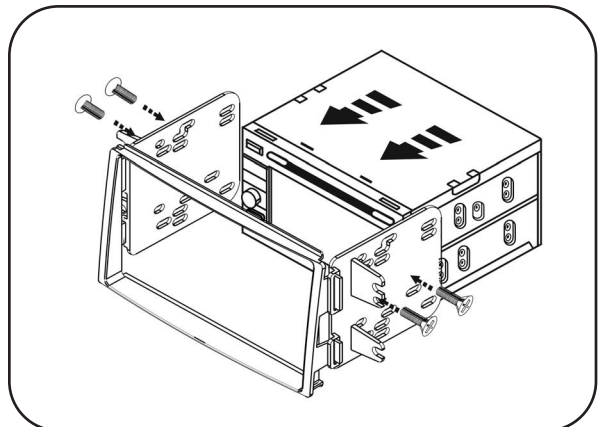
**2005-2006 KIA SPECTRA 5**

- 1** Disconnect the negative battery terminal to prevent an accidental short circuit.
- 2** Unclip and remove entire panel surrounding radio and including A/C controls. (Figure A)
- 3** Remove (4) Phillips screws to extract radio from dash. (Figure B)



**2005-2006 KIA SPECTRA 5**  
**DOUBLE DIN / STACKED ISO DIN HEAD UNIT**  
**PROVISION**

- 1** Locate the factory wiring harness in the dash. Metra recommends using the proper mating adapter from Metra or AXXESS. Re-connect the negative battery terminal and test the unit for proper operation.
- 2** Attach the Double DIN brackets to the inside edge of the Double DIN trim plate. (Figure A)
- 3** Slide the Double DIN head unit or stacked ISO head units into the bracket/radio housing assembly and secure the Double DIN head unit or stacked ISO head units to the assembly using the screws supplied with the radio. (Figure B)
- 4** Reassemble dash in reverse order of disassembly.

**A****B**







# 95-7318 INSTRUCTIONS

**METRA. THE WORLD'S BEST KITS.™**

 **1-800-221-0932**  **[www.metraonline.com](http://www.metraonline.com)**

REV. 11/17/09

© COPYRIGHT 2004-07 METRA ELECTRONICS CORPORATION

INST95-7318