



Kia Spectra/Spectra 5 2007-2009

Visit MetraOnline.com for more detailed information about the product and up-to-date vehicle specific applications

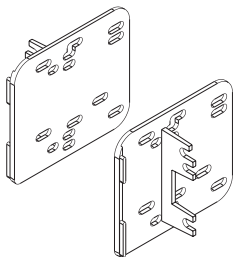
KIT FEATURES

- DDIN radio provision
- Stacked ISO mount units provision

KIT COMPONENTS

- A) DDIN brackets
- B) DDIN trim plate

A



B

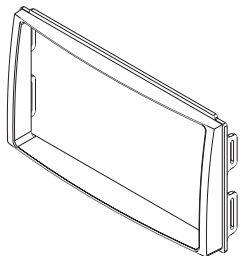


TABLE OF CONTENTS

Dash Disassembly	2
Kit Assembly	
-DDIN mount radio provision.....	3
-Stacked ISO mount radio provision	3

WIRING & ANTENNA CONNECTIONS (sold separately)

Wiring Harness: Visit metraonline.com for audio/video and steering wheel control interface options.
Antenna Adapter: Not required

TOOLS REQUIRED

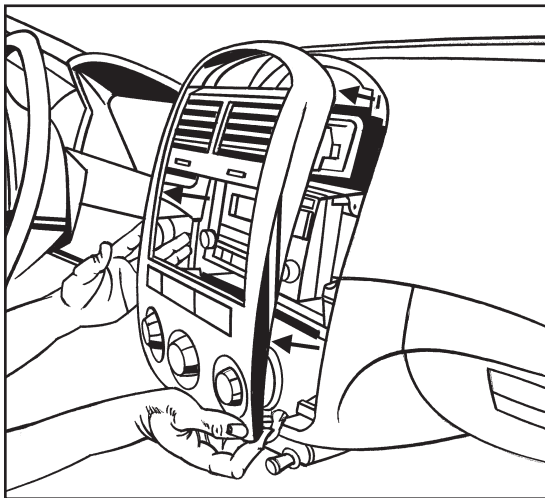
- Panel removal tool
- Small flat blade screwdriver
- Phillips screwdriver

Attention! With the key out of the ignition, disconnect the negative battery terminal before installing this product. Ensure that all installation connections are secure before cycling the ignition to test this product.

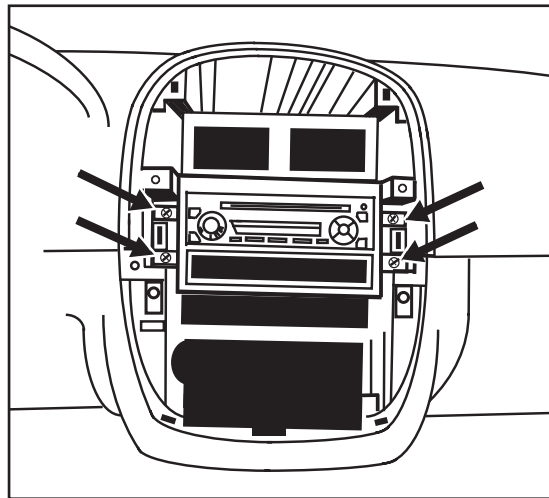
DASH DISASSEMBLY

1. Unclip and remove the trim panel surrounding the radio and including the a/c vents. (Figure A)
2. Remove (4) Phillips screws securing the radio. Unplug and remove radio. (Figure B)

Continue to Kit Assembly



(Figure A)

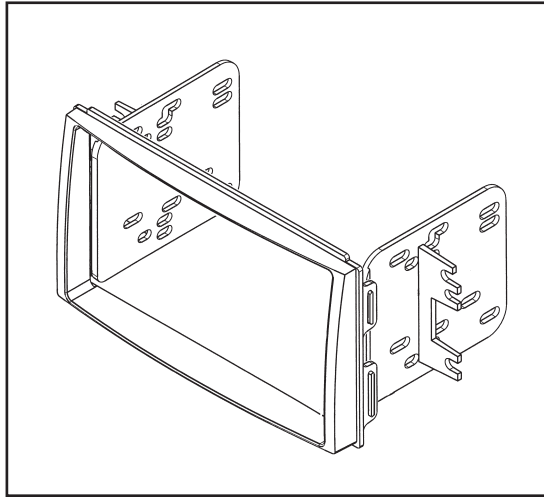


(Figure B)

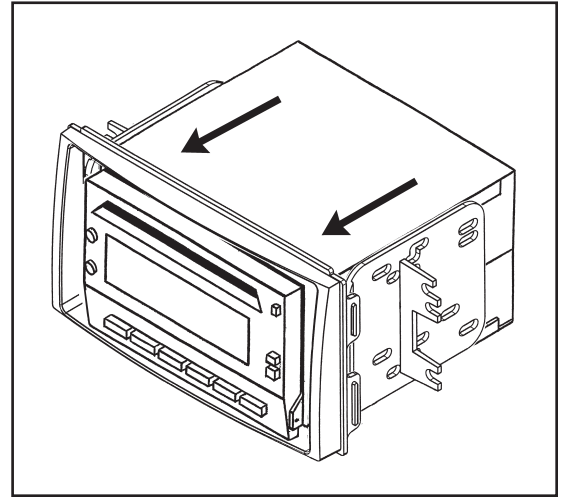
KIT ASSEMBLY

DDIN/stacked ISO mount radio provision

1. Snap the **DDIN brackets** to the inside edge of the **DDIN trim plate**. (Figure A)
2. Locate the factory wiring harness and antenna connector in the dash, and complete all necessary connections to the radio. Metra recommends using the proper mating adapter from Metra and/or AXXESS. Re-connect the negative battery terminal and test the radio for proper operation.
3. Slide the DDIN radio or the stacked ISO mount units into the bracket/trim plate assembly and secure the radio or ISO mount units to the assembly using the screws supplied with the radio or ISO mount units. (Figure B)
4. Reassemble dash in reverse order of disassembly.



(Figure A)



(Figure B)



95-7330
INSTALLATION INSTRUCTIONS



Having difficulties? We're here to help.



Contact our Tech Support line at:

386-257-1187



Or via email at:

techsupport@metra-autosound.com

Tech Support Hours (Eastern Standard Time)

Monday - Friday: 9:00 AM - 7:00 PM

Saturday: 10:00 AM - 7:00 PM

Sunday: 10:00 AM - 4:00 PM



KNOWLEDGE IS POWER

Enhance your installation and fabrication skills by enrolling in the most recognized and respected mobile electronics school in our industry. Log onto www.installerinstitute.edu or call 386-672-5771 for more information and take steps toward a better tomorrow.



**Metra recommends MECP
certified technicians**