



INSTALLATION INSTRUCTIONS FOR PART 95-74045

APPLICATIONS

Nissan Maxima 2004-2006

95-74045

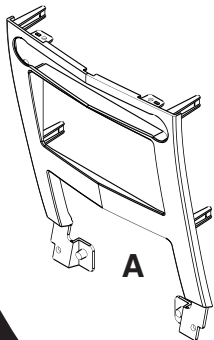
KIT FEATURES

- Double DIN Head Unit Provision
- ISO Stacked Head Unit Provision
- *Painted Silver to match factory dash*

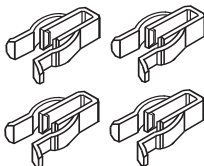


KIT COMPONENTS

A) Double DIN Radio Housing • B) (4) Panel Retaining Clips



B



WIRING AND ANTENNA CONNECTIONS

(Sold Separately)

- 70-7550 Nissan harness - 1995-up
- 40-NI10 -Nissan antenna adapter

TOOLS REQUIRED:

- Small Flat Blade Screwdriver
- Panel Removal Tool
- Phillips Screwdriver



1-800-221-0932



www.metraonline.com

© COPYRIGHT 2004-2009 METRA ELECTRONICS CORPORATION



TABLE OF CONTENTS

Dash Disassembly

- Nissan Maxima 2004-2006 1,2

Kit Assembly

- Double DIN Head Unit Provision/Stacked ISO Mount Units Provision 3,4

***Note:**

Refer also to the instructions included with the aftermarket radio.



KNOWLEDGE IS POWER

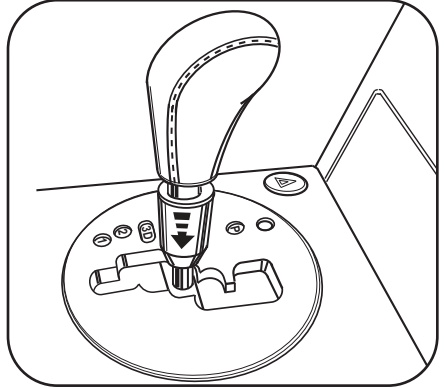
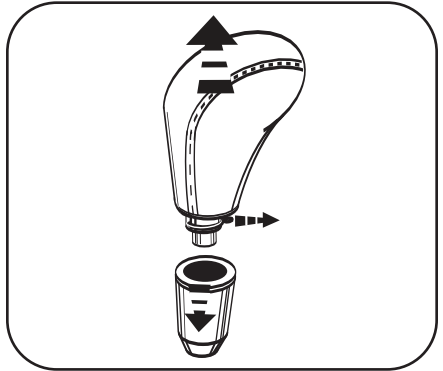
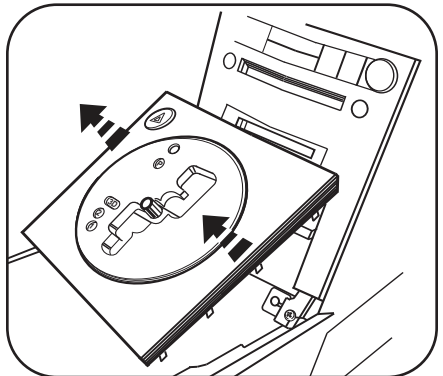
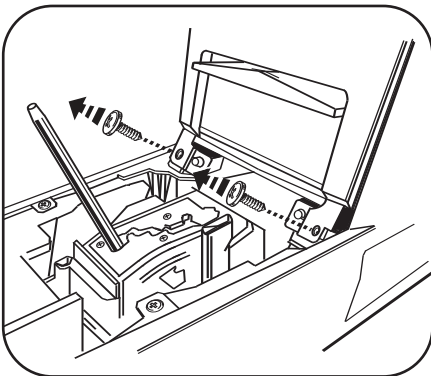
Enhance your installation and fabrication skills by enrolling in the most recognized and respected mobile electronics school in our industry. Log onto www.installerinstitute.com or call 800-354-6782 for more information and take steps toward a better tomorrow.

NISSAN MAXIMA 2004-2006

**Note: Refer also to the instructions included with the aftermarket radio.*

- 1** Disconnect the negative battery-terminal to prevent an accidental short circuit.
- 2** Twist and slide down the cover at the base of the shift knob. (Figure A)
- 3** Remove the retaining clip at base of shift knob and pull up to remove. (Figure B)
- 4** Unclip and remove panel surrounding shift knob. (Figure C)
- 5** Remove (2) Phillips screws at the bottom of the radio panel and unclip and remove. (Figure D)

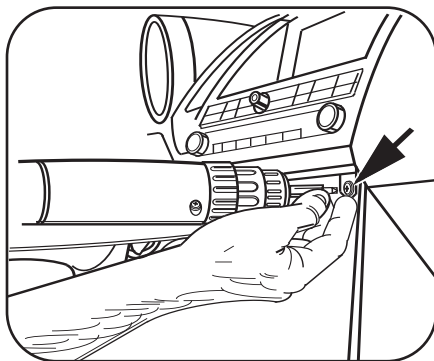
Continued on page 2.

A

B

C

D


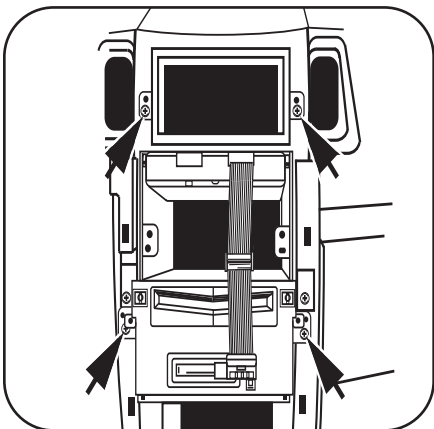
NISSAN MAXIMA 2004-2006

**Note: Refer also to the instructions included with the aftermarket radio.*

6 Remove (2) Phillips screws at the bottom of the display panel and unclip and remove the panel. (Figure E)

E


7 Remove (4) Phillips screws to remove the audio/climate control/display as one unit. (Figure F)

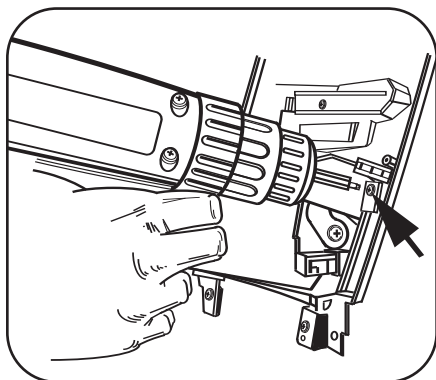
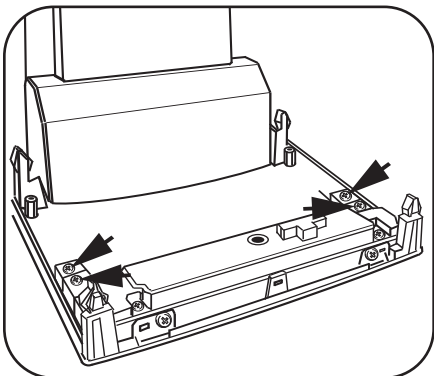
F


8 Remove (4) Phillips screws from each side of radio/tuner to remove from audio/climate control/display bracket assembly.

9 Remove the (4) Phillips screws securing the factory climate control button assembly to the radio panel and remove. **Note: Retain all hardware to be used in Kit Assembly.** (Figure G)

10 Remove (4) Phillips screws securing the factory pocket assembly to the radio panel and remove. **Note: Retain all hardware to be used in Kit Assembly.** (Figure H)

Continue to kit assembly.

H

G


DOUBLE DIN RADIO PROVISION/ ISO STACKED HEAD UNIT PROVISION

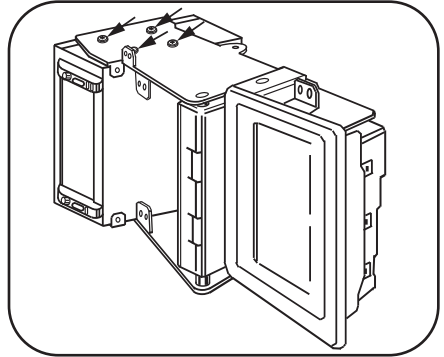
**Note: Refer also to the instructions included with the aftermarket radio.*

- 1 Position radio into audio/climate control/display bracket assembly and secure using the (8) Phillips screw positions and the factory hardware. (Figure A)

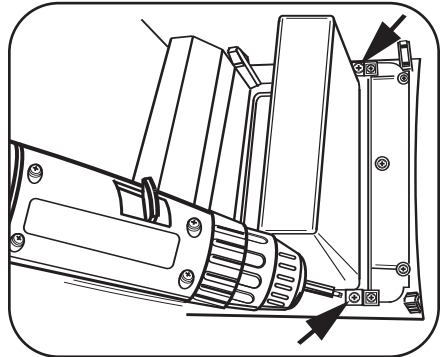
- 2 Using the factory hardware secure the factory climate control button assembly into the 95-7404 housing. (Figure B)

Continued on page 4.

A



B



DOUBLE DIN RADIO PROVISION/ ISO STACKED HEAD UNIT PROVISION

**Note: Refer also to the instructions included with the aftermarket radio.*

- 3** Using the factory hardware secure the factory pocket assembly into the 95-7404 housing. (Figure C)

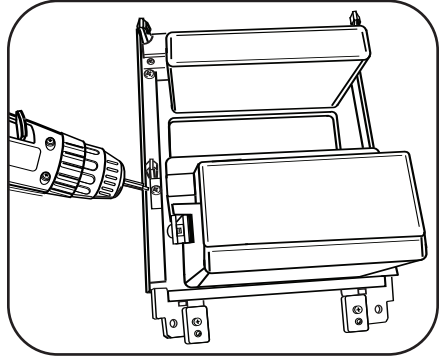
- 4** Install the (4) supplied retaining clips onto the 95-7404 in the same locations as the factory radio panel. (Figure D)

- 5** Locate the factory wiring harness in the dash. Metra recommends using the proper mating adapter and making the connections as shown on the front cover. (Isolate and individually tape off the ends of any unused wires to prevent electrical short circuit)

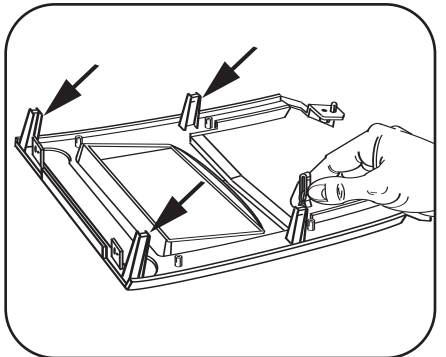
- 6** Re-connect the negative battery terminal and test the unit for proper operation.

- 7** Reassemble in reverse order of disassembly using the 95-7404 assembly instead of the factory radio panel.

C



D





NOTES

95-7404S INSTRUCTIONS



1-800-221-0932



www.metraonline.com

REV. 08/17/09 © COPYRIGHT 2004-2006 METRA ELECTRONICS CORPORATION INST95-7404S