



Nissan Altima 2002-2004

Visit MetraOnline.com for more detailed information about the product and up-to-date vehicle specific applications

KIT FEATURES

- ISO DDIN radio provision

KIT COMPONENTS

- A) Radio trim panel • B) Radio brackets

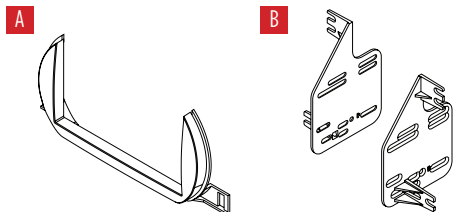


TABLE OF CONTENTS

Dash Disassembly	2
Kit Assembly	3

WIRING & ANTENNA CONNECTIONS (sold separately)

Wiring Harness: 70-7550

Antenna Adapter: Not required

Steering wheel control interface: AXSWC

TOOLS REQUIRED

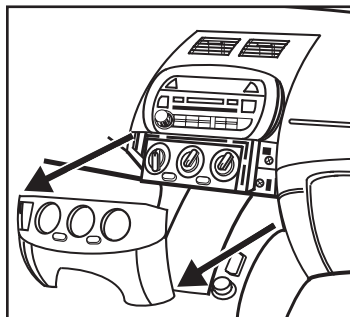
- Panel removal tool • Phillips screwdriver

Attention! Let the vehicle sit with the key out of the ignition for a few minutes before removing the factory radio. When testing the aftermarket equipment, ensure that all factory equipment is connected before cycling the key to ignition.

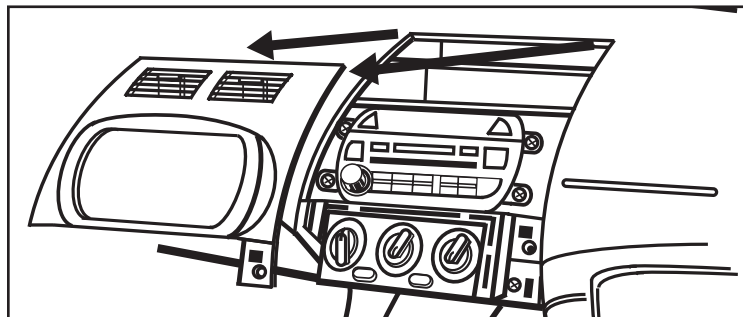
DASH DISASSEMBLY

1. Unclip and remove the climate control trim panel. (Figure A)
2. Remove (1) Phillips screw securing the radio trim panel. (Figure B)
3. Unclip and remove the radio trim panel. (Figure C)
4. Remove (4) Phillips screws securing the radio. Slide the radio out, then unplug and remove the radio.
5. Clip the 95-7418 radio trim panel into the factory radio trim panel. (Figure D)

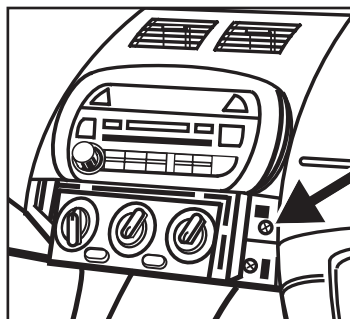
Continue to Kit Assembly



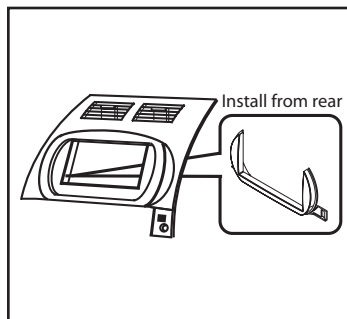
(Figure A)



(Figure C)



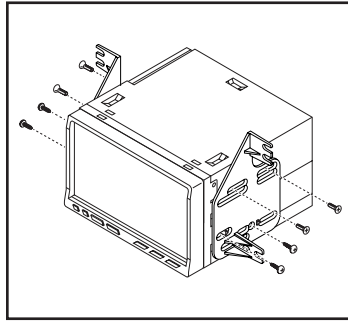
(Figure B)



(Figure D)

KIT ASSEMBLY

1. Secure the *radio brackets* to the radio using the screws supplied with the radio. (Figure A)
2. Locate the factory wiring harness and antenna connector in the dash and complete all necessary connections to the radio. Metra recommends using the proper mating adapter from Metra and/or Axxess. Test the radio for proper operation.
3. Secure the radio assembly to the dash using the factory hardware.
4. Place the *radio trim panel* over the radio assembly, then secure it using the factory hardware.
5. Reassemble the dash in reverse order of disassembly to complete the installation.



(Figure A)



95-7418
INSTALLATION INSTRUCTIONS



If you are having difficulties with the installation of this product, contact our Tech Support line either by phone at **1-800-253-TECH**, or email at **techsupport@metra-autosound.com**. Before doing so, look over the instruction booklet a second time and ensure that the installation was performed exactly as the instruction booklet is stated. Have the vehicle apart and ready to perform troubleshooting steps before contacting Metra/Axxess Tech Support.



KNOWLEDGE IS POWER

Enhance your installation and fabrication skills by enrolling in the most recognized and respected mobile electronics school in our industry. Log onto www.installerinstitute.com or call 800-354-6782 for more information and take steps toward a better tomorrow.



Metra recommends MECP certified technicians