



## Nissan Leaf 2011-2017

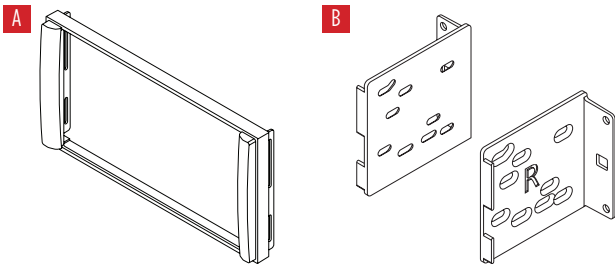
\*Visit [MetraOnline.com](http://MetraOnline.com) for more detailed information about the product and up-to-date vehicle specific applications

### KIT FEATURES

- ISO DDIN radio provision

### KIT COMPONENTS

- A) Radio trim panel • B) Radio brackets



### TABLE OF CONTENTS

Dash Disassembly .....	2
Kit Assembly .....	3

### WIRING & ANTENNA CONNECTIONS (sold separately)

Wiring Harness: Visit [metraonline.com](http://metraonline.com) for audio/video and steering wheel control interface options.  
Antenna Adapter: Not required

### TOOLS REQUIRED

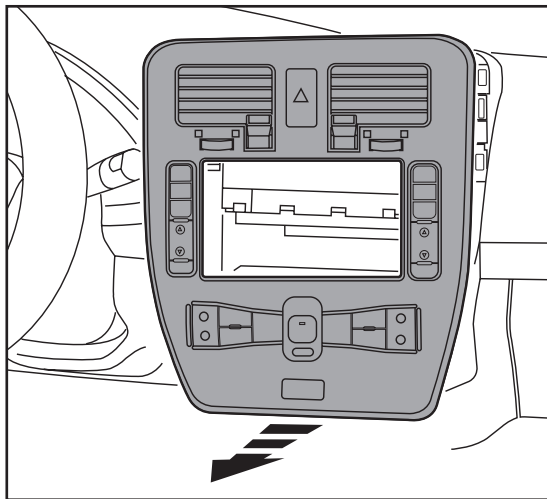
- Panel removal tool
- Phillips screwdriver

**Attention: With the key out of the ignition, disconnect the negative battery terminal before installing this product. Ensure that all installation connections are secure before cycling the ignition to test this product.**

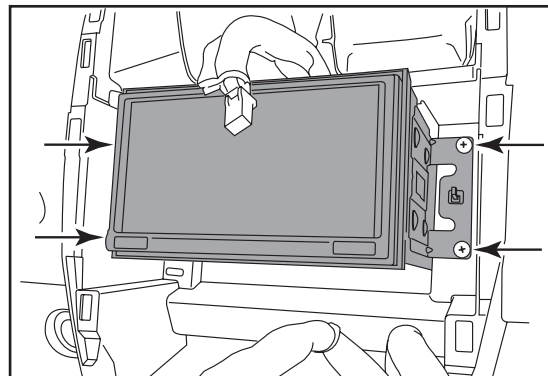
## DASH DISASSEMBLY

1. Unclip and remove the trim panel surrounding the radio including the climate controls. (Figure A)
2. Remove (4) Phillips screws securing the radio chassis then unplug and remove the chassis. (Figure B)

*Continue to Kit Assembly*



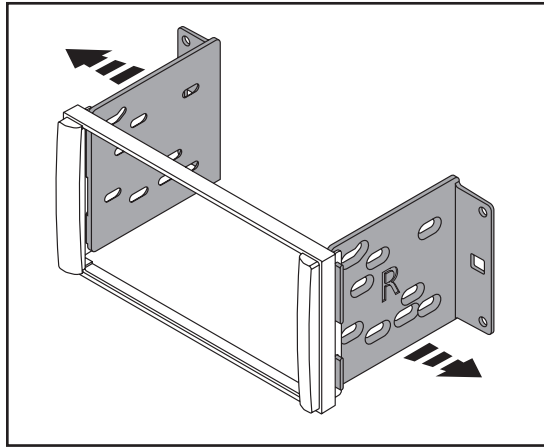
(Figure A)



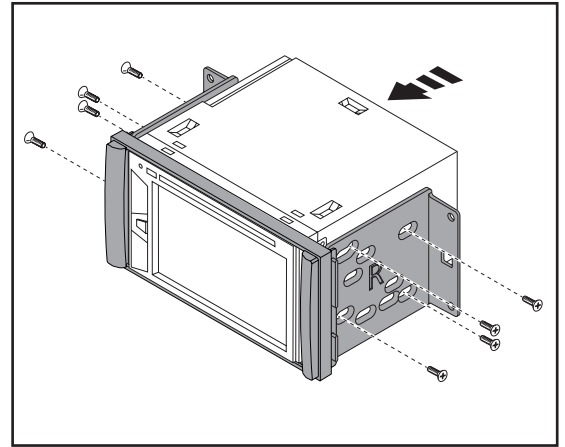
(Figure B)

## KIT ASSEMBLY

1. Attach the **radio brackets** to the **radio trim panel**. (Figure A)
2. Slide the radio into the completed assembly, and then secure it to the assembly using screws supplied with the radio. (Figure B)
3. Locate the factory wiring harness and antenna connector in the dash, and complete all necessary connections to the radio. Metra recommends using the proper mating adapter from Metra and/or AXXESS.
4. Reconnect the negative battery terminal and test the radio for proper operation.
5. Reassemble the dash in reverse order of disassembly.



(Figure A)



(Figure B)



**95-7642**  
INSTALLATION INSTRUCTIONS



Having difficulties? We're here to help.



Contact our Tech Support line at:

**386-257-1187**



Or via email at:

[techsupport@metra-autosound.com](mailto:techsupport@metra-autosound.com)

**Tech Support Hours (Eastern Standard Time)**

Monday - Friday: 9:00 AM - 7:00 PM

Saturday: 10:00 AM - 5:00 PM

Sunday: 10:00 AM - 4:00 PM



**Metra recommends MECP  
certified technicians**