



Lexus GX470 (without NAV) 2003-2009

Visit MetraOnline.com for more detailed information about the product and up-to-date vehicle specific applications

KIT FEATURES

- ISO DDIN radio provision
- Painted gray

KIT COMPONENTS

- A) Radio trim panel

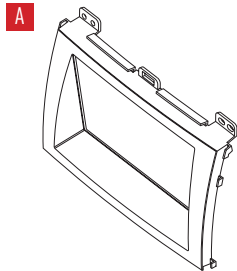


TABLE OF CONTENTS

Dash Disassembly	2-3
Kit Assembly	4-6

WIRING & ANTENNA CONNECTIONS (sold separately)

Wiring Harness: TYTO-01

Antenna Adapter: Not required

Steering Wheel Control Interface: ASWC-1 & 70-8114

TOOLS REQUIRED

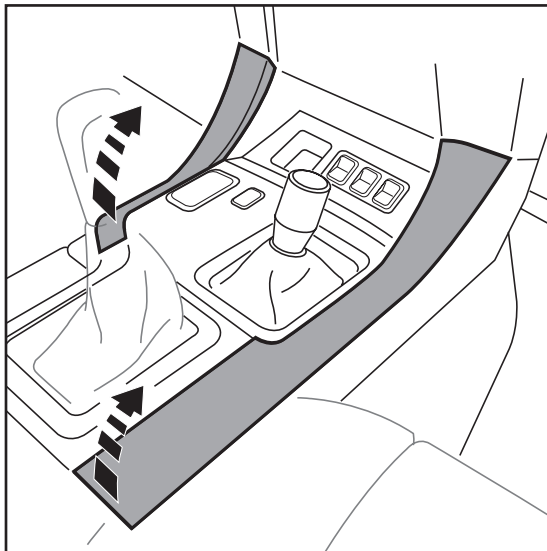
- Panel removal tool
- Phillips screwdriver
- 10mm Socket wrench

Attention! Let the vehicle sit with the key out of the ignition for a few minutes before removing the factory radio. When testing the aftermarket equipment, ensure that all factory equipment is connected before cycling the key to ignition.

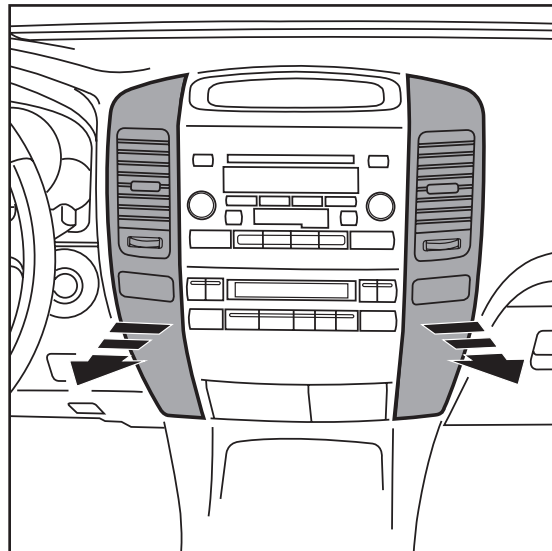
DASH DISASSEMBLY

1. Unclip and remove the left and right-side center console trim panels. (Figure A)
2. Unclip, unplug, and remove the a/c vent panels to the left and right of the radio. (Figure B)

Continued on the next page



(Figure A)

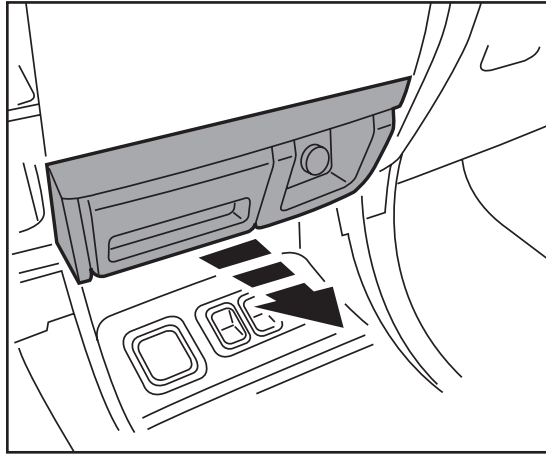


(Figure B)

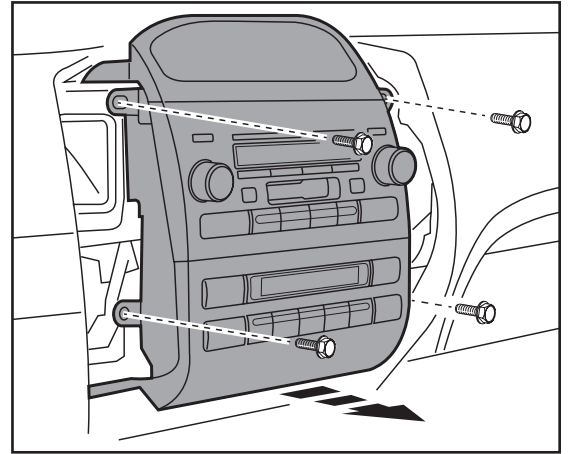
DASH DISASSEMBLY (CONT.)

3. Unclip and remove the lower assembly trim panel. (Figure C)
4. Remove (4) 10mm hex-head screws securing the climate-control/information-display/radio assembly to the dash. Unclip, unplug and remove the entire assembly. (Figure D)

Continue to Kit Assembly



(Figure C)



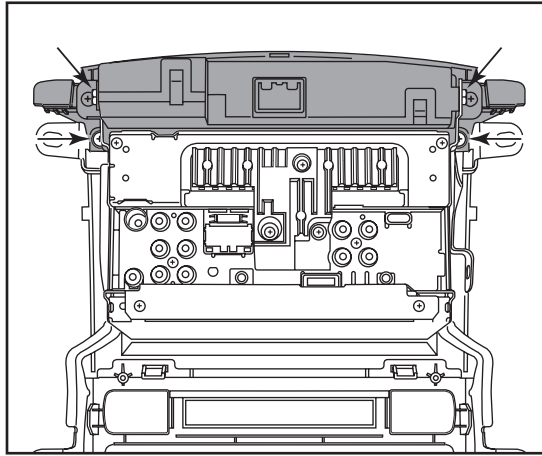
(Figure D)

KIT ASSEMBLY

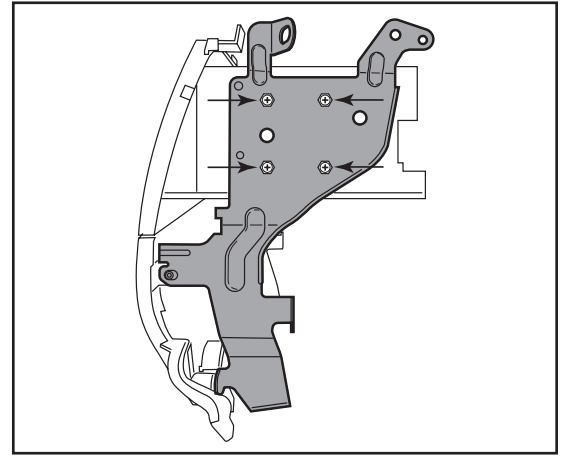
From the climate-control/information-display/radio assembly:

1. Remove (4) screws securing the information display, then unclip and remove the display. (Figure A)
2. Remove (8) screws securing the radio, then unclip and remove the radio. (Figure B)

Continued on the next page



(Figure A)



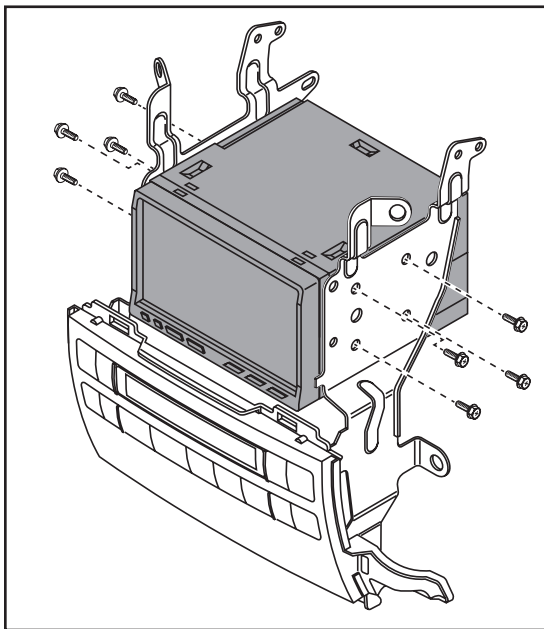
(Figure B)

KIT ASSEMBLY (CONT.)

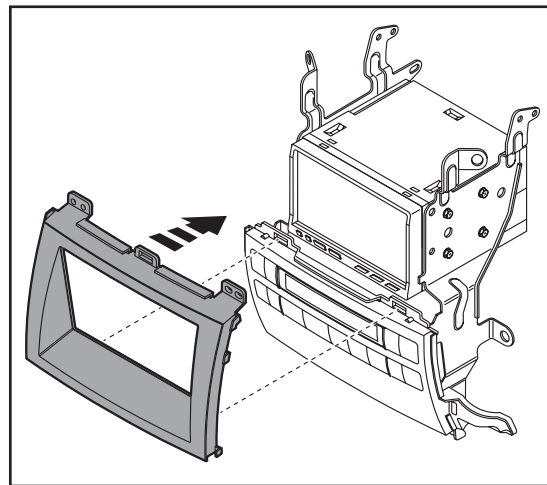
To the climate-control/information-display assembly:

1. Slide the aftermarket radio into the assembly, then secure using the screws supplied with the radio. (Figure C)
2. Clip the **Radio Trim Panel** to the assembly. (Figure D)

Continued on the next page



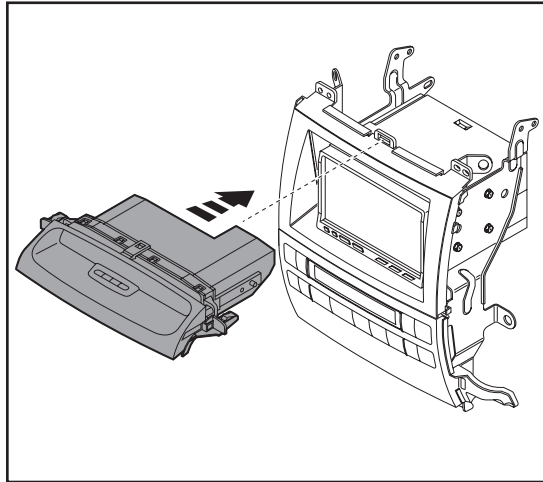
(Figure C)



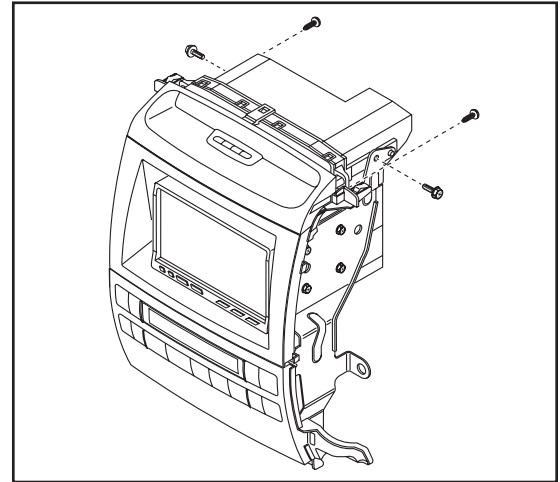
(Figure D)

KIT ASSEMBLY (CONT.)

3. Clip the information display to the assembly, then secure using the factory screws. (Figures E, F)
4. Locate the factory wiring harness and antenna connector in the dash and complete all necessary connections to the radio. Metra recommends using the proper mating adapter from Metra and/or Axxess. Test the radio for proper operation.
5. Secure the entire assembly to the dash using the factory screws.
6. Reassemble the dash in reverse order of disassembly to complete the installation.



(Figure E)



(Figure F)





95-8166G
INSTALLATION INSTRUCTIONS



If you are having difficulties with the installation of this product, contact our Tech Support line either by phone at **386-257-1187**, or email at **techsupport@metra-autosound.com**. Before doing so, look over the instruction booklet a second time and ensure that the installation was performed exactly as the instruction booklet is stated. Have the vehicle apart and ready to perform troubleshooting steps before contacting Metra/Axxess Tech Support.



KNOWLEDGE IS POWER

Enhance your installation and fabrication skills by enrolling in the most recognized and respected mobile electronics school in our industry. Log onto www.installerinstitute.com or call 800-354-6782 for more information and take steps toward a better tomorrow.



Metra recommends MECP certified technicians