



INSTALLATION INSTRUCTIONS FOR PART 95-9308B

INSTALLATION INSTRUCTIONS FOR PART 95-9308B

APPLICATIONS  
**BMW X5**  
**2000 - 2006**  
**(non-navigation models)**

**95-9308B**

U.S. PATENT # D639,793

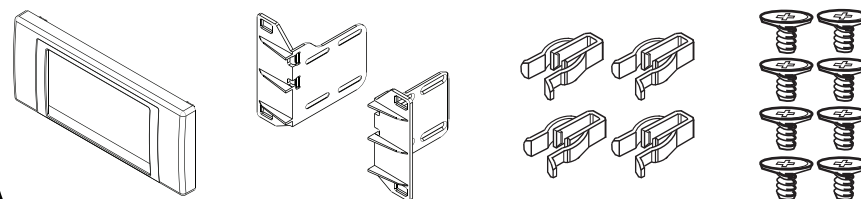
**KIT FEATURES**

- DDIN Head Unit Provision
- ISO Stacked Head Unit Provision
- Painted Scratch Resistant Matte Black



**KIT COMPONENTS**

- DDIN Radio Trim Plate
- DDIN Brackets
- (4) Plastic Snaps
- (8) Flush ISO Screws



**TOOLS REQUIRED**

- Phillips Screwdriver
- Torx Screwdriver
- Panel Removal Tool
- Small Flat Blade Screwdriver
- Cutting Tool or File



**METRA. THE WORLD'S BEST KITS.™**



**1-800-221-0932**



**metraonline.com**

© COPYRIGHT 2004-2009 METRA ELECTRONICS CORPORATION

**METRA. THE WORLD'S BEST KITS.™**



**1-800-221-0932**



**metraonline.com**

© COPYRIGHT 2004-2009 METRA ELECTRONICS CORPORATION

REV. 11/21/2017

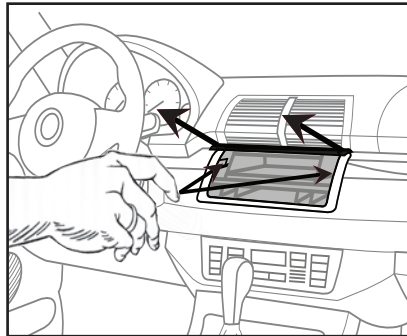




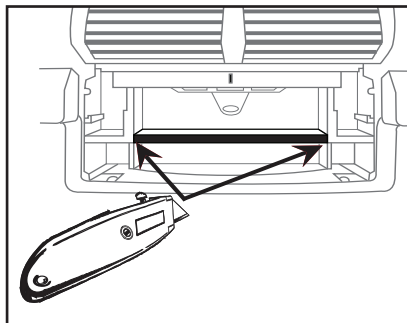
## BMW X5 2000-2006

.....Continued from Pg. 1

**C**



**D**

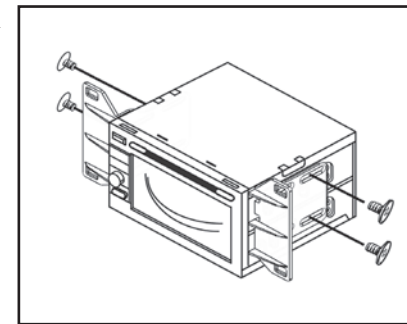


Continue to Kit Assembly

## BMW X5 2000-2006

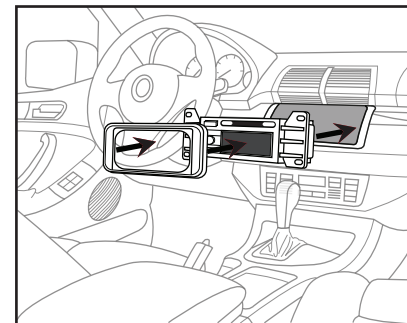
**1** Mount the DDIN radio to the supplied DDIN brackets using the ISO screws supplied with the aftermarket radio (screws must be flush). (Fig. A)

**A**



**2** Locate the factory wiring harness in the dash. Metra recommends using the proper mating adapters from Metra and AXCESS to integrate your new radio. Re-connect the negative battery terminal and test the unit for proper operation.

**B**



**3** Snap the radio bracket assembly into the dash opening (tight fit). (Fig. B)

**4** Snap the DDIN trim plate over the radio (be sure to align the snaps with the holes in the brackets or it won't seat properly). (Fig. B)