



INSTALLATION INSTRUCTIONS FOR PART 99-3042

APPLICATIONS

See application list inside

Chevrolet/GMC/Pontiac/Saturn 1982-1994 99-3042

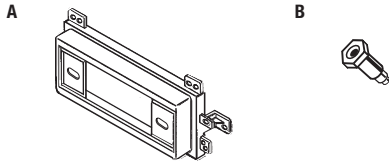
KIT FEATURES

- DIN head unit provision
- Rear support provision



KIT COMPONENTS

- A) Radio housing
- B) Rear support bullet



WIRING & ANTENNA CONNECTIONS (sold separately)

Wiring Harness:

- 70-1858 - GM harness for select 1988-2002
- 70-1677-1 - GM/Chevy harness select 1978-1993

Antenna Adapter:

- 40-GM10 - GM adaptor for select 1988-2006

TOOLS REQUIRED

- Torx driver
- Phillips screwdriver
- Cutting tool
- Socket wrench

CAUTION: Metra recommends disconnecting the negative battery terminal before beginning any installation. All accessories, switches, and especially air bag indicator lights must be plugged in before reconnecting the battery or cycling the ignition.

NOTE: Refer to the instructions included with the aftermarket radio.

Applications

| | |
|-------------------|-------------------------------|
| Chevrolet | |
| Camaro..... | 1982-1992/1982-1984/1985-1992 |
| S-10 Blazer | 1986-1994 |
| S-10 Pickup..... | 1986-1993 |
| GMC | |
| Jimmy | 1986-1994 |
| S-15 Pickup..... | 1986-1994 |
| Oldsmobile | |
| Bravada..... | 1991-1994 |
| Pontiac | |
| Firebird..... | 1982-1992/1985-1992 |
| Saturn | |
| (all models)..... | 1991-1994 |

Table of Contents

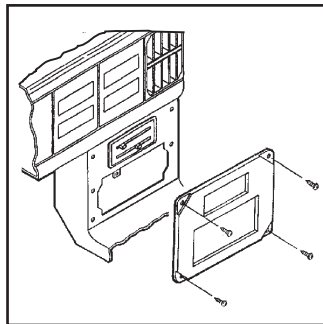
| | |
|---|---|
| Dash Disassembly | |
| - Chevrolet Camaro 1982-1992/1982-1984/1985-1992..... | 2 |
| - Chevrolet S-10 Blazer 1986-1994..... | 3 |
| - Chevrolet S-10 Pickup 1986-1993..... | 3 |
| - GMC Jimmy 1986-1994..... | 3 |
| - GMC S-15 Pickup 1986-1994..... | 3 |
| - Oldsmobile Bravada 1991-1994..... | 3 |
| - Pontiac Firebird 1982-1984/Firebird 1985-1992..... | 2 |
| - Saturn (All models) 1991-1994..... | 3 |
| Kit Assembly | |
| - DIN head unit provision..... | 3 |

Chevrolet Camaro 1982-1992/Pontiac Firebird 1982-1992

STEP 1

Camaro 1982-1992, Firebird 1982-1984:

- Remove (4) torx head screws from the radio trim bezel.
- Remove (4) hex head screws securing the factory radio dummy plate and remove the plate. (Figure A)

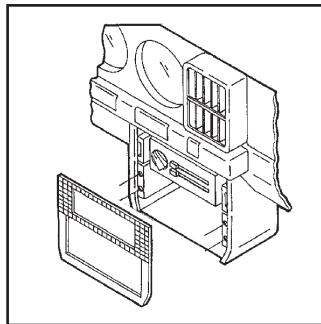


(Figure A)

Firebird 1985-1992:

- Unclip the radio trim bezel and remove the bezel.
- Remove (4) hex-head screws securing the factory radio dummy plate and remove the plate. (Figure B)

Continue to Step 2



(Figure B)

STEP 2

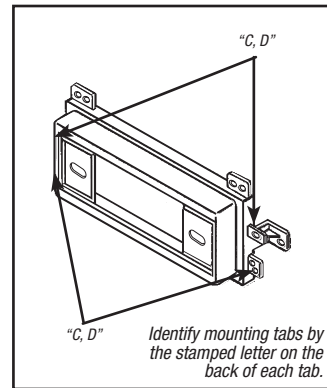
Camaro 1985-1992, Firebird 1985-1992:

- Cut and remove all mounting tabs on the radio housing except tabs "C". (Figure C)

Camaro 1982-1984, Firebird 1982-1984:

- Cut and remove all mounting tabs on the radio housing except tabs "D". (Figure C)

Continue to kit assembly



(Figure C)



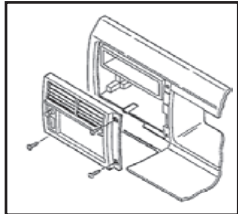
Dash Disassembly

Kit Assembly

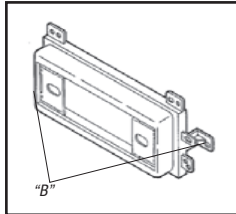
Chevrolet S-10 Pickup 1986-1993, Chevrolet S-10 Blazer/ GMC S-15 Pickup/Jimmy 1986-1994, Oldsmobile Bravada 1991-1994

1. Unclip the dash trim bezel. (Figure A)
2. Remove (4) hex head screws securing the factory head unit and disconnect the wiring.
3. Cut and remove all mounting tabs on the radio housing EXCEPT tabs "A". (Figure B)

Continue to kit assembly



(Figure A)



(Figure B)

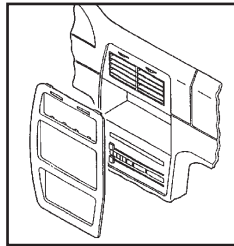
Saturn (all models) 1991-1994

1. Unclip power window control panel. Disconnect and remove panel.
2. Pull off climate control knobs.
3. Unclip and remove the dash trim panel. (Figure A)

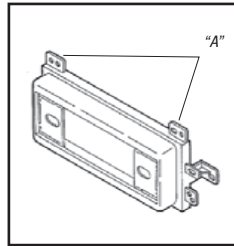
Saturn (all models) 1991-1994

4. Remove (4) Phillips head screws securing the radio. Disconnect and remove the radio.

Continue to kit assembly



(Figure A)



(Figure B)

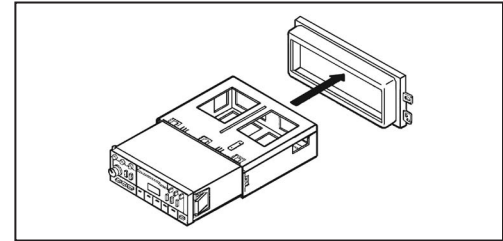
Kit Assembly

DIN head unit provision

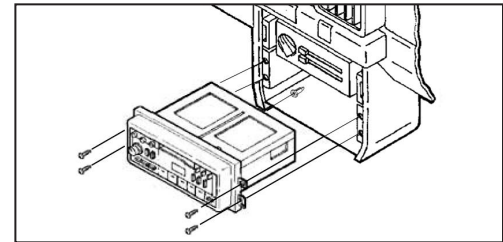
1. Cut and remove the shaft supports from the radio housing.
2. Slide the DIN cage into the kit and secure by bending the metal locking tabs down. (Figure A)
3. Slide the aftermarket head unit into the cage until secure. (Figure A)
4. Locate the factory wiring harness in the dash. Metra recommends using the proper mating adapter from

Metra or AXCESS. Re-connect the negative battery terminal and test the unit for proper operation.

5. Screw the rear support bullet onto the bolt on the back of the aftermarket head unit ("A").
6. Mount the radio/kit assembly to the sub-dash with those screws previously removed. (Figure B)
7. Reassemble dash in reverse order of disassembly.



(Figure A)



(Figure B)



INSTALLATION INSTRUCTIONS FOR PART 99-3042

REV 10/5/2012 INST99-3042



KNOWLEDGE IS POWER

Enhance your installation and fabrication skills by enrolling in the most recognized and respected mobile electronics school in our industry. Log onto www.installerinstitute.com or call 800-354-6782 for more information and take steps toward a better tomorrow.



**Metra recommends MECP
certified technicians**