



INSTALLATION INSTRUCTIONS FOR PART 99-4504

APPLICATIONS

See application list inside

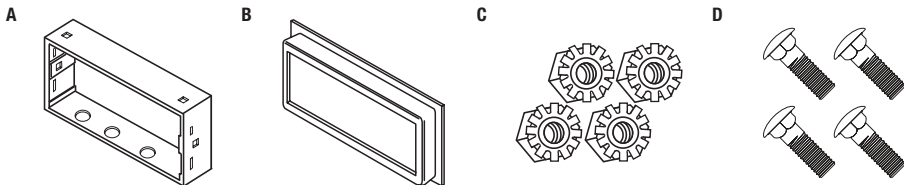
GM 1982-2005 99-4504

KIT FEATURES

- DIN radio provision

KIT COMPONENTS

- A) Radio housing • B) Faceplate • C) (4) Keps nuts • D) (4) Carriage bolts



WIRING & ANTENNA CONNECTIONS (sold separately)

Wiring Harness:

- 70-1677-1
- 70-1858

Antenna Adapter:

- 40-GM10

TOOLS REQUIRED

- Adjustable wrench

CAUTION: Metra recommends disconnecting the negative battery terminal before beginning any installation. All accessories, switches, and especially air bag indicator lights must be plugged in before reconnecting the battery or cycling the ignition.

NOTE: Refer to the instructions included with the aftermarket radio.

Table of Contents

All Vehicles (equipped with J-2000 panel style factory radios)	
Kit Preparation	
– All Vehicles.....	3
Kit Assembly	
– DIN radio provision.....	3
Buick	
Century*	1982-1996
Electra*	1984-1994
EstateWagon*	1984-1994
LeSabre*	1984-1994
Park Ave.*	1984-1994
Reatta*	1990-1991
Regal*	1984-1987
Riviera*	1983-1985
Riviera*	1990-1995
Roadmaster*	1991-1994
Skyhawk*	1982-1989
Skylark*	1983-1985
Skylark*	1987-1995
Cadillac	
Cimarron*	1982-1988
DeVille*	1985-1993
Eldorado*	1984-1991
Escalade	1999-2002
Fleetwood*	1985-1993
Seville*	1984-1991
Chevrolet	
Astro*	1985-1995
Astro.....	1996-2005

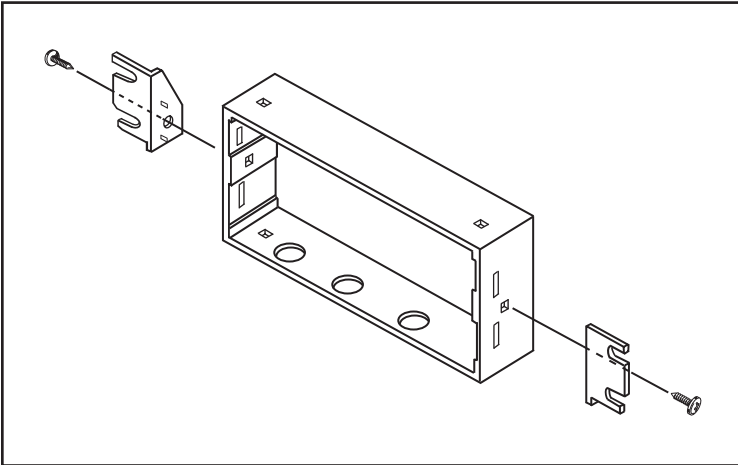
Table of Contents

Avalanche.....	2002	Suburban.....	1995-2002	Omega*	1983-1984
Beretta*	1991-1996	Tahoe	1995-2002	Silhouette*	1990-1996
Camaro*	1982-1992	Van (full)*	1988-1996	Toronado*	1982-1985
Blazer (full)*	1989-1991	GMC		Pontiac	
Camaro*	1982-1992	Jimmy (full)*	1989-1991	6000*	1982-1991
Caprice*	1991-1993	S15 Jimmy*	1982-1994	Bonneville*	1982-1993
Cavalier*	1982-1994	S15 Pickup*	1982-1993	Fiero*	1984-1988
Celebrity*	1982-1987	Safari*	1985-1995	Firebird*	1982-1992
Citation II*	1985	Safari.....	1996-2005	Grand Am*	1985-1995
Corsica*	1991-1996	Savana	1996-2000	Grand Prix*	1985-1993
Corvette*	1984-1989	Sierra	1995-2002	Montana	1999
El Camino*	1985-1988	Suburban*	1989-1991	Sunbird J-2000*	1982-1988
Express.....	1996-2000	Suburban.....	1995-1999	TransSport*	1990-1996
Lumina*	1990-1994	Van (full)*	1988-1996	Saturn	
Lumina APV*	1990-1996	Yukon	1995-2002	(All models)*	1991-1994
Lumina APV*	1996	Oldsmobile			
Monte Carlo*	1986-1988	Achieva*	1992-1995		
Nova*	1985-1988	Bravada*	1991-1994		
Pickup	1995-2002	Cutlass Calais*	1984-1991		
S10 Blazer*	1982-1994	Cutlass Ciera*	1982-1996		
S10 Pickup*	1982-1993	Cutlass Supreme*	1984-1988		
Silverado	1999-2002	Delta 88*	1986-1988		
Suburban*	1989-1991	Firenza*	1982-1989		
		Ninety Eight*	1984-1990		

**Important: The mounting brackets on your factory radio and/or tape player, must be kept and used with this vehicle.*

All Vehicles

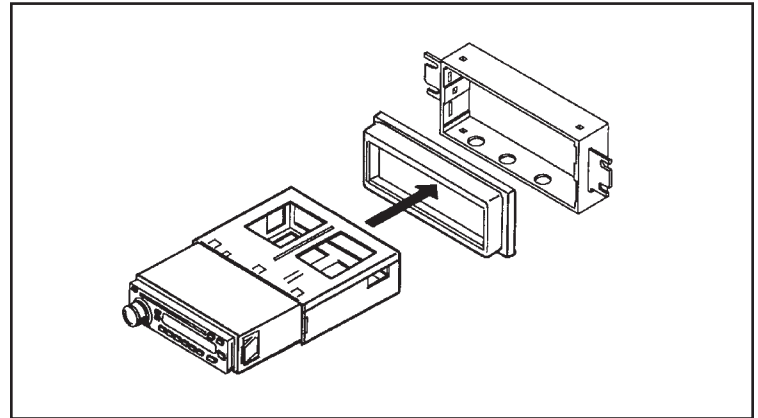
1. Please call Metra's Technical Support line for individual dash disassemblies. Mount the Metra bracket(s) OR factory mounting bracket(s) to the radio housing with carriage bolts and Keps nuts supplied.



(Figure A)

DIN radio provision

1. Snap the faceplate onto the front of the radio housing.
2. Slide the DIN cage into the kit and secure by bending the metal locking tabs down. (Figure A)
3. Slide the aftermarket radio into the cage until secure. (Figure A)



(Figure A)



INSTALLATION INSTRUCTIONS FOR PART 99-4504



REV. 9/22/2014 INST99-4504



KNOWLEDGE IS POWER

Enhance your installation and fabrication skills by enrolling in the most recognized and respected mobile electronics school in our industry. Log onto www.installerinstitute.com or call 800-354-6782 for more information and take steps toward a better tomorrow.



**Metra recommends MECP
certified technicians**