



INSTALLATION INSTRUCTIONS FOR PART 99-4505

APPLICATIONS

See application list inside

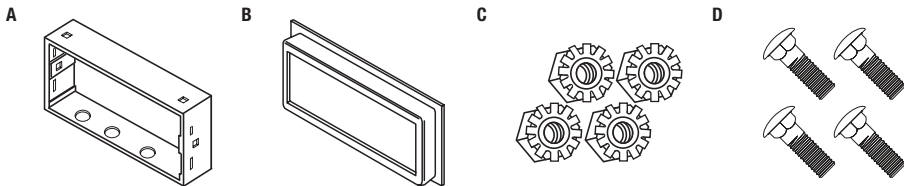
GM 1982-2005 99-4505

KIT FEATURES

- DIN radio provision

KIT COMPONENTS

- A) Radio housing • B) Faceplate • C) (4) Keps nuts • D) (4) Carriage bolts



WIRING & ANTENNA CONNECTIONS (sold separately)

Wiring Harness:

- 70-1677-1
- 70-1858

Antenna Adapter:

- 40-GM10

TOOLS REQUIRED

- Adjustable wrench

CAUTION: Metra recommends disconnecting the negative battery terminal before beginning any installation. All accessories, switches, and especially air bag indicator lights must be plugged in before reconnecting the battery or cycling the ignition.

NOTE: Refer to the instructions included with the aftermarket radio.

Table of Contents

All Vehicles (equipped with J-2000
panel style factory radios)

Kit Preparation

– All Vehicles.....3

Kit Assembly

– DIN radio provision.....3

Buick

Century* 1982-1996
Electra* 1984-1994
EstateWagon* 1984-1994
LeSabre* 1984-1994
Park Ave.* 1984-1994
Reatta* 1990-1991
Regal* 1984-1987
Riviera* 1983-1985
Riviera* 1990-1995
Roadmaster* 1991-1994
Skyhawk* 1982-1989
Skylark* 1983-1985
Skylark* 1987-1995

Cadillac

Cimarron* 1982-1988
DeVille* 1985-1993
Eldorado* 1984-1991
Escalade 1999-2002
Fleetwood* 1985-1993
Seville* 1984-1991

Chevrolet

Astro* 1985-1995
Astro 1996-2005

Avalanche 2002
Beretta* 1991-1996
Camaro* 1982-1992
Blazer (full)* 1989-1991
Camaro* 1982-1992
Caprice* 1991-1993
Cavalier* 1982-1994
Celebrity* 1982-1987
Citation II* 1985
Corsica* 1991-1996
Corvette* 1984-1989
El Camino* 1985-1988
Express 1996-2000
Lumina* 1990-1994
Lumina APV* 1990-1996
Lumina APV* 1996
Monte Carlo* 1986-1988
Nova* 1985-1988
Pickup 1995-2002
S10 Blazer* 1982-1994
S10 Pickup* 1982-1993
Silverado 1999-2002
Suburban* 1989-1991

Suburban 1995-2002
Tahoe 1995-2002
Van (full)* 1988-1996

GMC

Jimmy (full)* 1989-1991
S15 Jimmy* 1982-1994
S15 Pickup* 1982-1993
Safari* 1985-1995
Safari 1996-2005
Savana 1996-2000
Sierra 1995-2002
Suburban* 1989-1991
Suburban 1995-1999
Van (full)* 1988-1996
Yukon 1995-2002

Oldsmobile

Achieva* 1992-1995
Bravada* 1991-1994
Cutlass Calais* 1984-1991
Cutlass Ciera* 1982-1996
Cutlass Supreme* .. 1984-1988
Delta 88* 1986-1988
Firenza* 1982-1989
Ninety Eight* 1984-1990

Omega* 1983-1984
Silhouette* 1990-1996
Tornado* 1982-1985

Pontiac

6000* 1982-1991
Bonneville* 1982-1993
Fiero* 1984-1988
Firebird* 1982-1992
Grand Am* 1985-1995
Grand Prix* 1985-1993
Montana 1999
Sunbird J-2000* 1982-1988
TransSport* 1990-1996

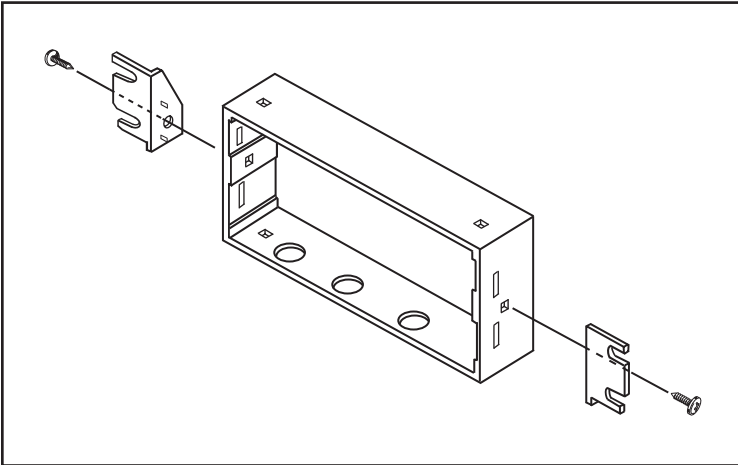
Saturn

(All models)* 1991-1994

**Important: The mounting brackets on your factory radio and/or tape player, must be kept and used with this vehicle.*

All Vehicles

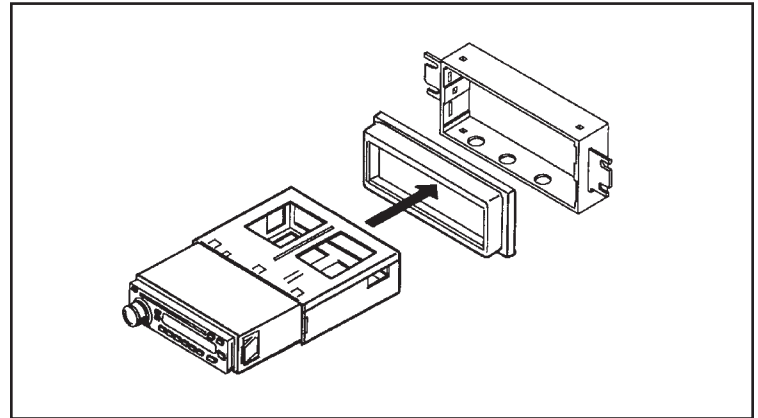
1. Please call Metra's Technical Support line for individual dash disassemblies. Mount the Metra bracket(s) OR factory mounting bracket(s) to the radio housing with carriage bolts and Keps nuts supplied.



(Figure A)

DIN radio provision

1. Snap the faceplate onto the front of the radio housing.
2. Slide the DIN cage into the kit and secure by bending the metal locking tabs down. (Figure A)
3. Slide the aftermarket radio into the cage until secure. (Figure A)



(Figure A)



INSTALLATION INSTRUCTIONS FOR PART 99-4505



REV. 9/22/2014 INST99-4505



KNOWLEDGE IS POWER

Enhance your installation and fabrication skills by enrolling in the most recognized and respected mobile electronics school in our industry. Log onto www.installerinstitute.com or call 800-354-6782 for more information and take steps toward a better tomorrow.



**Metra recommends MECP
certified technicians**