



Ford Mustang 1987-1993

KIT FEATURES

- ISO DIN radio provision with pocket

KIT COMPONENTS

- A) Radio brackets • B Trim plate • C) (4) #8 x 1" Phillips screws • D) Pocket • E) (4) #8 x 3/8" Phillips screws

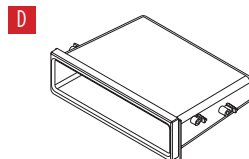
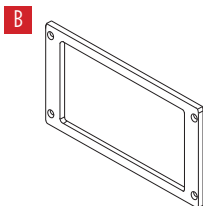
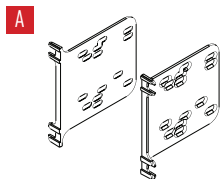


TABLE OF CONTENTS

Dash Disassembly	2
Kit Assembly	
–ISO DIN radio provision with pocket	3

WIRING & ANTENNA CONNECTIONS (sold separately)

- Wiring Harness: 70-1770 • 70-1768 (amplified models)
- Antenna Adapter: Not required

TOOLS REQUIRED

- Phillips screwdriver
- Radio removal tools 86-1618

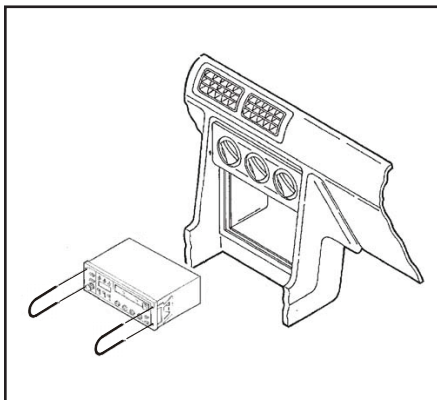
CAUTION! All accessories, switches, climate controls panels, and especially air bag indicator lights must be connected before cycling the ignition. Also, do not remove the factory radio with the key in the on position, or while the vehicle is running.

DASH DISASSEMBLY

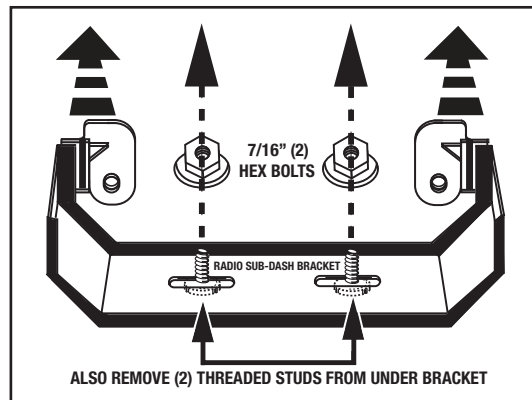
1. Using Metra's 86-5618, pull the factory radio from the dash and disconnect the wiring. (Figure A)
2. Remove (2) 7/16" hex bolts from inside the dash cavity and remove the radio subdash bracket. (Figure B)

Note: The threaded studs from under this bracket will also need to be removed for the aftermarket radio to clear.

Continue to Kit Assembly



(Figure A)

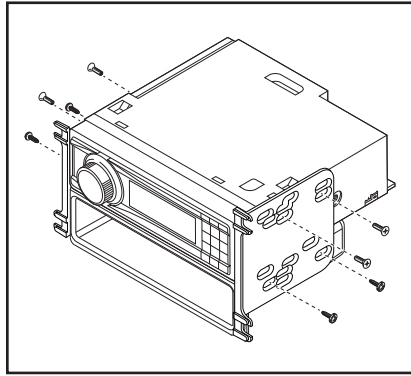


(Figure B)

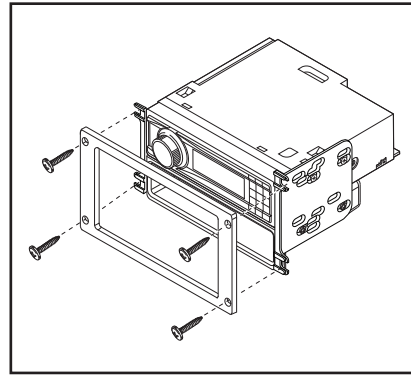
KIT ASSEMBLY

ISO DIN radio provision with pocket

1. Secure the *radio brackets* to the radio using the screws supplied with the radio. (Figure A)
2. Secure the *pocket* to the radio assembly using the (4) #8 x 3/8" Phillips screws provided. (Figure A)
3. Locate the factory wiring harness and antenna connector in the dash and complete all necessary connections to the radio. Metra recommends using the proper mating adapter from Metra. Test the radio for proper operation.
4. Secure the *trim plate* to the completed assembly, and also to the vehicle, using the (4) #8 x 1" Phillips screws provided. (Figure B)



(Figure A)



(Figure B)



99-5025
INSTALLATION INSTRUCTIONS



IMPORTANT

If you are having difficulties with the installation of this product, please call our Tech Support line at 1-800-253-TECH. Before doing so, look over the instructions a second time, and make sure the installation was performed exactly as the instructions are stated. Please have the vehicle apart and ready to perform troubleshooting steps before calling.



KNOWLEDGE IS POWER

Enhance your installation and fabrication skills by enrolling in the most recognized and respected mobile electronics school in our industry. Log onto www.installerinstitute.com or call 800-354-6782 for more information and take steps toward a better tomorrow.



**Metra recommends MECP
certified technicians**