



INSTALLATION INSTRUCTIONS FOR PART 99-5821R

APPLICATIONS FORD Fusion/ MERCURY Milan 2010-up (Non Factory NAV)

99-5821R

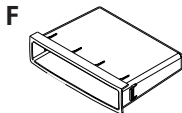
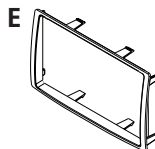
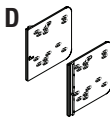
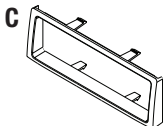
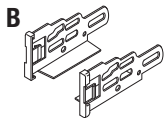
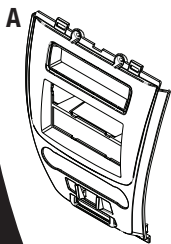
KIT FEATURES

- DIN Head Unit Provision with Pocket
- ISO DIN Head Unit Provision with Pocket
- Double DIN Head Unit Provision
- ISO Stacked Head Unit Provision
- **Painted Red**
- 99-5812B - Matte Black**
- 99-5812S - Silver**
- 99-5812BL - Blue**



KIT COMPONENTS

- A) Radio Housing
- B) ISO Brackets
- C) ISO Trim Plate
- D) Double DIN Brackets
- E) Double DIN Trim Plate
- F) Pocket



WIRING AND ANTENNA CONNECTIONS (Sold Separately)

Wire harness:

- XSVI-5520-NAV Ford Interface 2006-up
- AFSI-02 -Ford SYNC Interface 2007-up

Antenna adapter:

- 40-CR10 Ford/Chrysler antenna adapter

TOOLS REQUIRED:

- Small Flat Blade Screwdriver
- Panel Removal Tool
- Phillips Screwdriver
- Socket Set



1-800-221-0932



www.metraonline.com



TABLE OF CONTENTS

Dash Disassembly

- Ford Fusion/Mercury Milan 2010-up (Non factory NAV)1,2

Kit Assembly

- Kit Preparation 3

- DIN Head Unit Provision 4

- ISO DIN Head Unit Provision 5

- Double DIN Head Unit Provision/ Stacked ISO DIN Head Unit Provision . 6

Note:

Refer also to the instructions included with the aftermarket radio.



KNOWLEDGE IS POWER

Enhance your installation and fabrication skills by enrolling in the most recognized and respected mobile electronics school in our industry. Log onto www.installerinstitute.com or call 800-354-6782 for more information and take steps toward a better tomorrow.



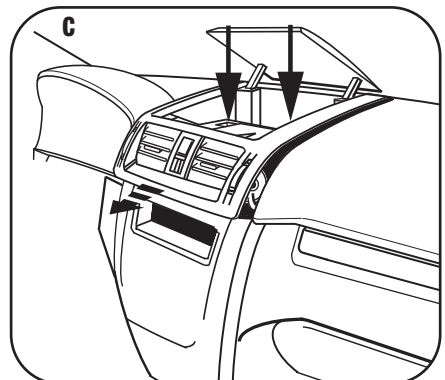
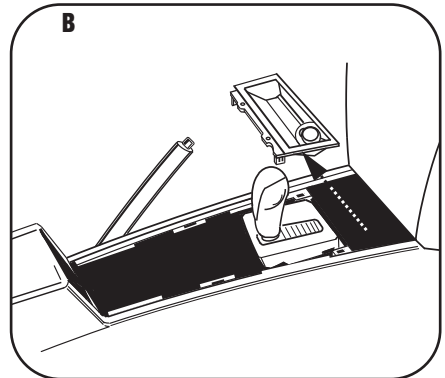
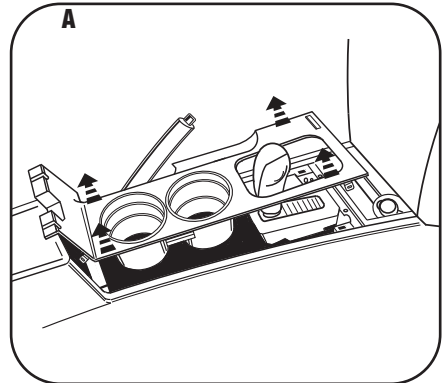
Metra recommends MECP certified technicians

**FORD FUSION/
MERCURY MILAN (NON FACTORY NAV) 2010-UP**

- 1 Disconnect the negative battery terminal to prevent an accidental short circuit.
- 2 Unsnap and remove cup holders/ shifter trim from top of center console. (Figure A)
- 3 Unsnap and remove coin tray from front of center console. (Figure B)
- 4 Open upper dash pocket, remove two 8mm screws from inside pocket, and remove pocket/ vent assembly. (Figure C)

Note: Some models have a safety strap attached to this pocket/ vent panel. To remove this strap, remove one T-20 Torx screw from below passenger airbag light securing the strap to the panel.

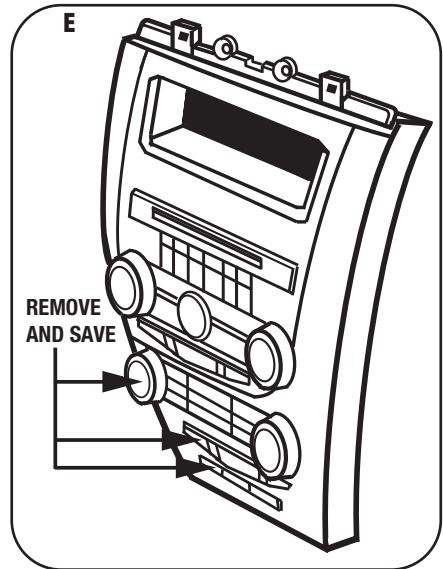
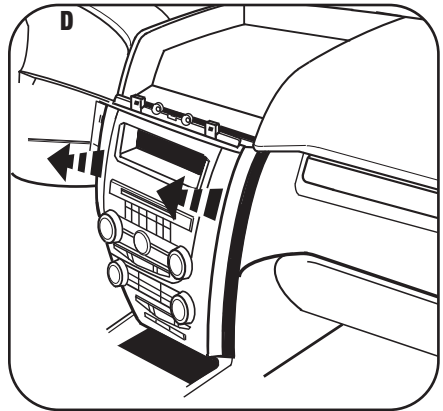
Continued on page 2.



FORD FUSION/
MERCURY MILAN (NON FACTORY NAV) 2010-UP

- 5** Remove two 7 mm screws from top of radio/climate panel.
- 6** Unsnap and remove radio/ climate panel. (Figure D)
- 7** Remove climate controls (4 T-20's) and lower three button switch plate (snap) from factory radio/ climate panel. (Retain for kit assembly) (Figure E)
- 8** Remove (6) metal "snap in" clips from back of factory panel and save to re-attach to the Metra radio housing during kit assembly.

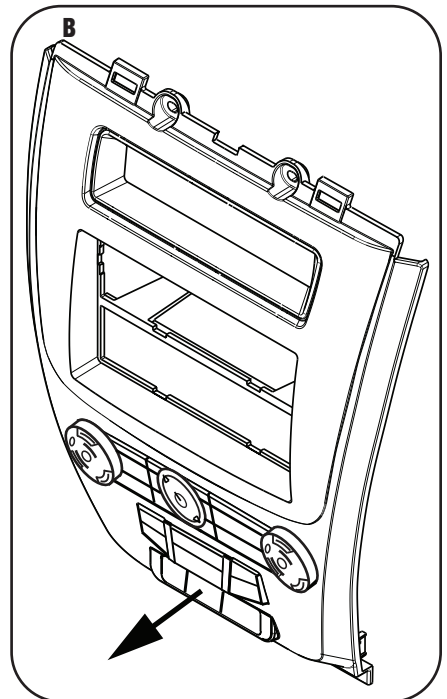
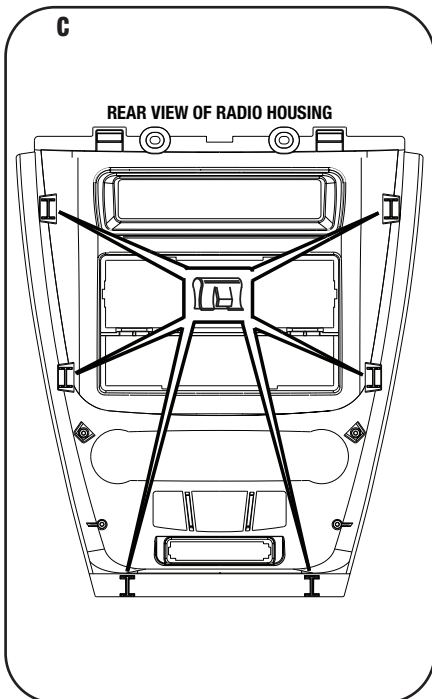
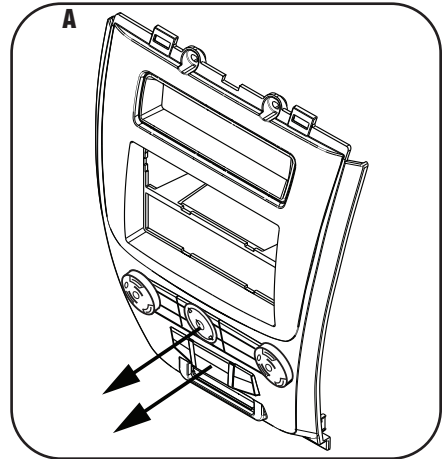
Continue to kit assembly



KIT PREPARATION

- 1** Mount the climate controls to the Metra radio housing using the factory hardware. (Figure A)
- 2** Snap the three button switch plate into the Metra Radio housing. (Figure B)
- 3** Re-attach (6) metal “snap in” clips previously saved from back of factory panel and attach to the Metra housing. (Figure C)

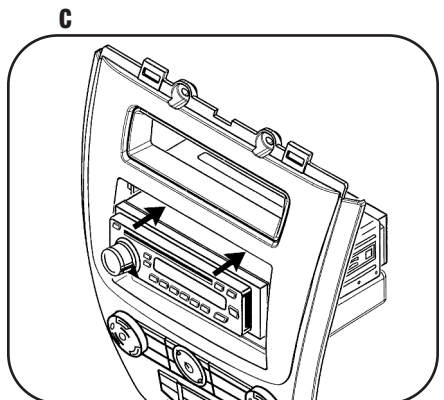
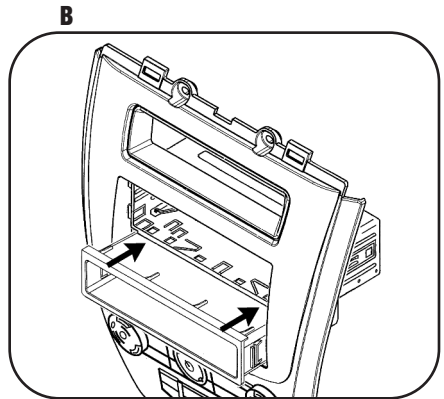
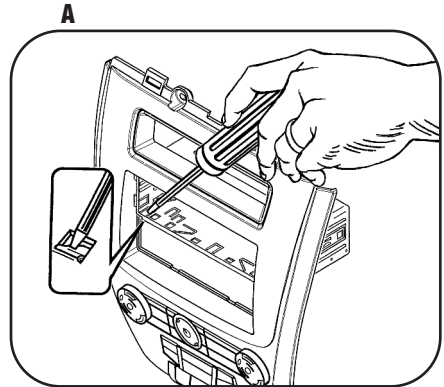
Continue to kit assembly.



DIN HEAD UNIT PROVISION

**Note: Refer also to the instructions included with the aftermarket radio.*

- 1 Locate the factory wiring harness in the dash. Metra recommends using the proper mating adapter from Metra or AXXESS. Re-connect the negative battery terminal and test the unit for proper operation.
- 2 Slide the DIN cage into the Radio Housing and secure by bending the metal locking tabs down. (Figure A)
- 3 Snap the pocket into the bottom opening of the radio housing. (Figure B)
- 4 Slide the aftermarket head unit into the cage and secure. (Figure C)
- 5 Reassemble dash in reverse order of disassembly.

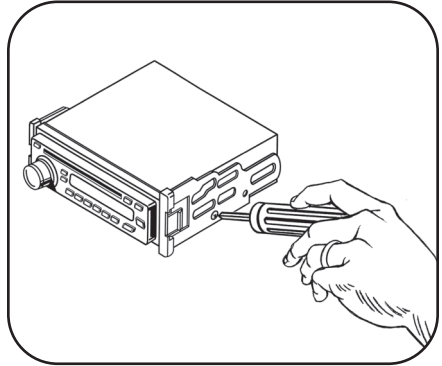


ISO DIN HEAD UNIT PROVISION

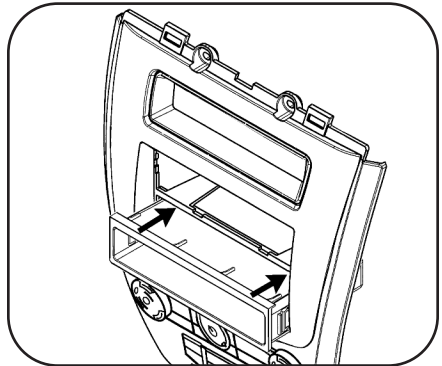
****Note: Refer also to the instructions included with the aftermarket radio.***

- 1** Locate the factory wiring harness in the dash. Metra recommends using the proper mating adapter from Metra or AXCESS. Re-connect the negative battery terminal and test the unit for proper operation.
- 2** Mount the ISO Brackets to the head unit with the screws supplied with the unit. (Figure A)
- 3** Snap the pocket into the bottom opening of the radio housing. (Figure B)
- 4** Slide the head unit into the radio opening until the side clips engage. (Figure C)
- 5** Snap the Trim plate into the Radio Housing. (Figure C)
- 6** Reassemble dash in reverse order of disassembly.

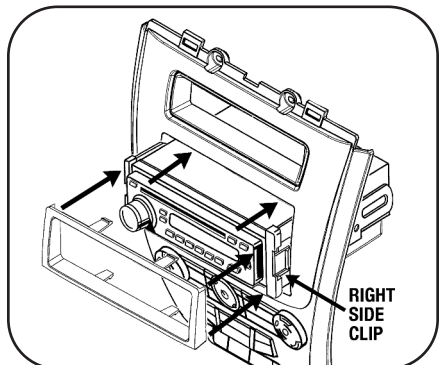
A



B



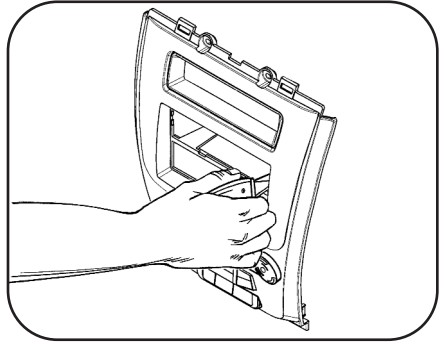
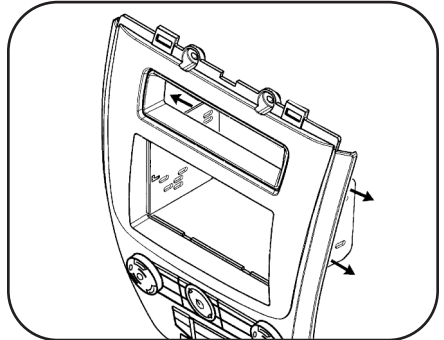
C



DOUBLE DIN HEAD UNIT PROVISION/ STACKED ISO DIN HEAD UNIT PROVISION

****Note: Refer also to the instructions included with the aftermarket radio.***

- 1** Locate the factory wiring harness in the dash. Metra recommends using the proper mating adapter from Metra or AXXESS. Re-connect the negative battery terminal and test the unit for proper operation.
- 2** Cut and remove the center bar from the radio housing. (Figure A)
- 3** Snap the Double DIN brackets to the inside edge of the Double DIN trim plate. (Figure B)
- 4** Slide the Double DIN head unit or stacked ISO head units into the bracket/radio housing assembly and secure the Double DIN head unit or stacked ISO head units to the assembly using the screws supplied with the radio. (Figure C)
- 5** Snap the double DIN trim plate into the radio housing. (Figure C)
- 6** Reassemble dash in reverse order of disassembly.

A**B****C**