



Ford Flex (without NAV) 2010-2012

Visit MetraOnline.com for more detailed information about the product and up-to-date vehicle specific applications

KIT FEATURES

- ISO DIN radio provision with pocket
- ISO DDIN radio provision
- Touchscreen display for climate and personalization features
- Center panel painted silver with tan or black trim
- Included interface for audio, climate and steering wheel functions
- INST99-5842B - Painted matte black
- INST99-5842T - Painted tan

KIT COMPONENTS

- A) Radio trim panel with touchscreen display
- B) Radio brackets
- C) Left and Right bottom trim panels
- D) Upper vent panel
- E) Pocket
- F) Thermister housing
- G) (6) #8 x 3/8" Phillips pan-head screws
- H) (14) #8 x 1/2" Phillips pan-head screws
- I) (7) Panel clips
- J) Harness (not shown)

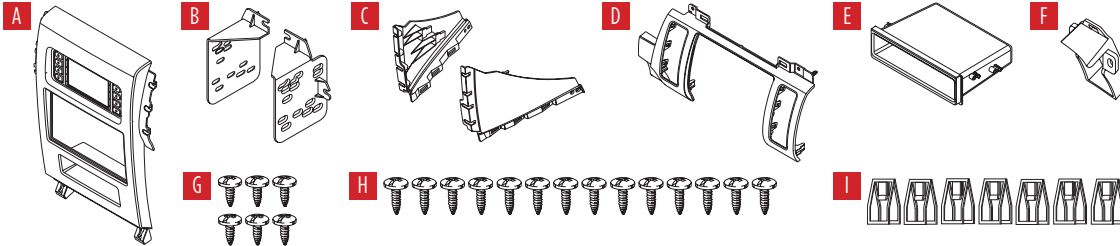


TABLE OF CONTENTS

Dash Disassembly	2-3
Kit Preparation	4
Kit Assembly	
–ISO DIN radio provision with pocket	5
–ISO DDIN radio provision.....	5
Axxess interface installation.....	6-14
Final assembly	9

WIRING & ANTENNA CONNECTIONS

Wiring Harness: Axxess interface and wiring harness included

Antenna Adapter: Included with kit

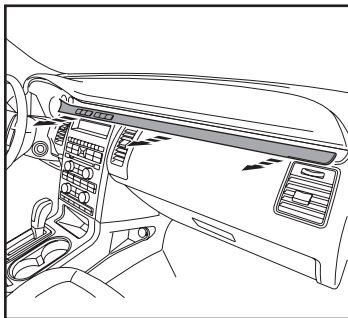
TOOLS REQUIRED

- Panel removal tool
- Phillips screwdriver
- 9/32" socket wrench

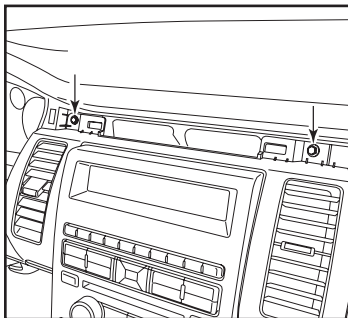
Attention! With the key out of the ignition, disconnect the negative battery terminal before installing this product. Ensure that all installation connections are secure before cycling the ignition to test this product.

DASH DISASSEMBLY

1. Unclip and remove the trim panel extending across the dash at the top of the factory radio panel to the passenger air vent. (Figure A)
2. Remove (2) 9/32" screws from the top of the factory radio trim panel. (Figure B)



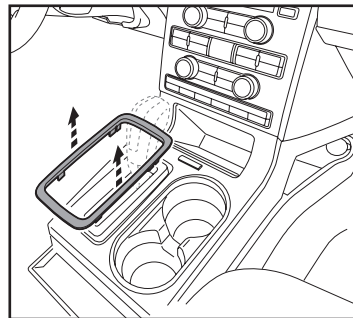
(Figure A)



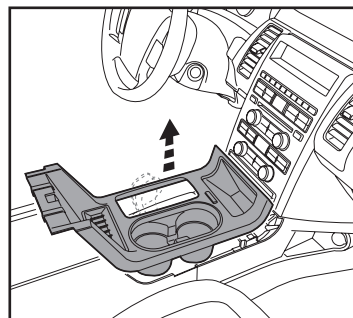
(Figure B)

3. Unclip and remove the chrome trim around the shifter on the top of the center console (Figure C).
4. Unclip and remove the top of the center console including the cup holders then remove (2) 9/32" screws from the bottom of the factory radio trim panel. (Figure D)

Continued on the next page



(Figure C)

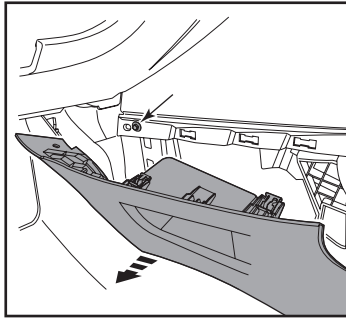


(Figure D)

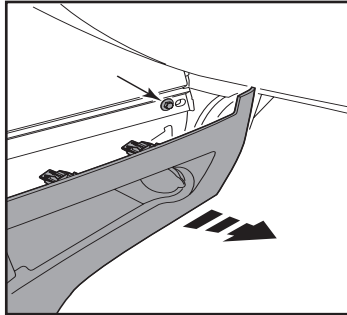
DASH DISASSEMBLY (CONT.)

- Unclip each side of the center console to reveal (1) 9/32 screw (per side) securing the factory radio trim panel, and remove the screw. (Figures E, F)

Note: You do not need to remove the panels completely, you can unclip them half way back to gain access to the screw.



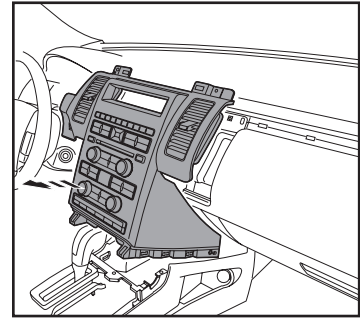
(Figure E)



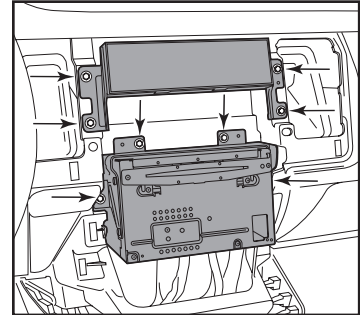
(Figure F)

- Unclip and remove the radio trim panel including the a/c vents and the factory radio/climate controls. (Figure G)
- Unclip and move to the side the thermistor (if equipped) attached to the radio trim panel.
- Remove (4) 9/32" screws securing the factory display. (Figure H)
- Remove (4) 9/32" screws securing the factory radio chassis. (Figure H)

Continue to Kit Preparation



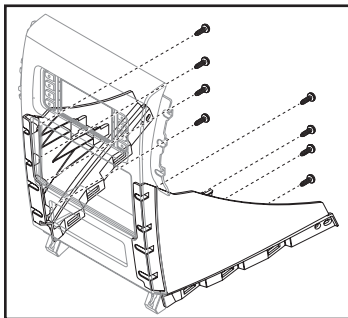
(Figure G)



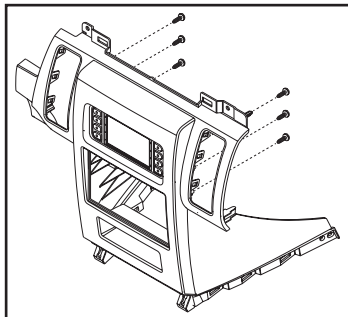
(Figure H)

KIT PREPARATION

1. Attach the *left and right lower trim panels* to the *radio trim panel with touchscreen* using (8) #8 x 1/2" Phillips screws provided. (Figure A)
2. Attach the *upper vent panel* to the *radio trim panel with touchscreen* using (6) #8 x 1/2" Phillips screws provided. (Figure B)



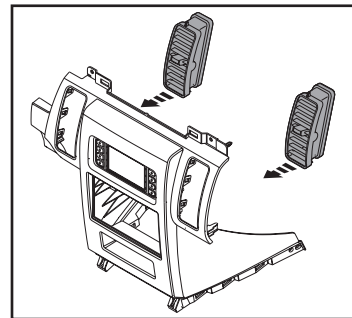
(Figure A)



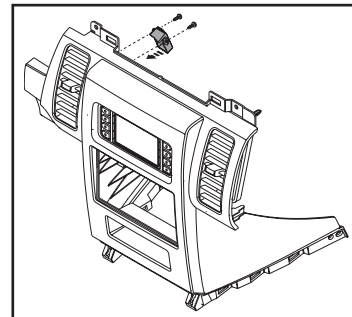
(Figure B)

3. Attach the *a/c vents* to the *upper vent panel*. (Figure C)
4. Attach the *thermistor housing* to the *upper vent panel* with (2) #8 x 3/8" Phillips screws provided. (Figure D)
5. Attach the (7) supplied *panel clips* to the completed assembly.

Continue to Kit Assembly



(Figure C)



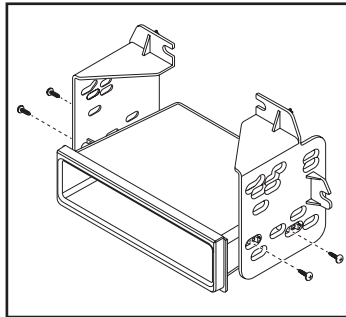
(Figure D)

KIT ASSEMBLY

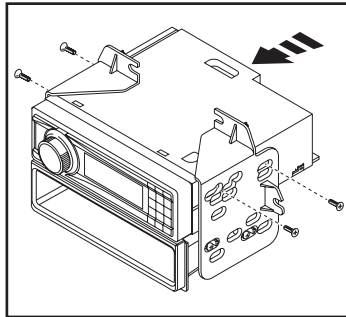
ISO DIN radio provision with pocket

1. Attach the *pocket* to the *radio brackets* using the (4) #8 x 3/8" Phillips screws provided. (Figure A)
2. Remove the metal DIN sleeve and trim ring from the aftermarket radio.
3. Slide the radio into the bracket/pocket assembly, and then secure it using the screws supplied with the radio. (Figure B)

Continue to Axxess interface installation



(Figure A)

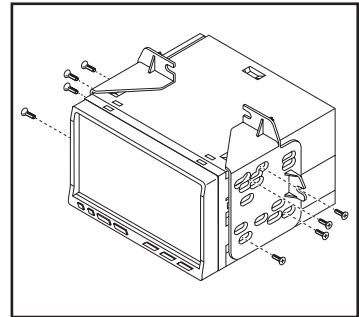


(Figure B)

ISO DDIN radio provision

1. Attach the *radio brackets* to the radio using the screws supplied with the radio. (Figure A)

Continue to Axxess interface installation



(Figure A)

AXXESS INTERFACE INSTALLATION

INTERFACE FEATURES

- Provides accessory power (12-volt 10-amp)
- Retains R.A.P. (retained accessory power)
- Provides NAV outputs (parking brake, reverse, speed sense)
- Retains SYNC
- Retains the factory AUX-IN jack
- Provides an aftermarket backup camera input
- Can be used in both amplified and non-amplified models
- Retains audio controls on the steering wheel
- Retains balance and fade
- Micro “B” USB updatable

INTERFACE COMPONENTS

- Axxess Interface (built into the touchscreen display)
- 5842 harness
- 16-pin harness with stripped leads
- 4-pin harness with yellow RCA jacks
- Female 3.5mm connector with stripped leads

TABLE OF CONTENTS

Connections.....	7-8
Installation	8
Programming.....	9
Final assembly	9
Extra features.....	9
Touchscreen display operation.....	10-11
Steering wheel control settings	12-13
Troubleshooting.....	14

TOOLS REQUIRED

- Crimping tool and connectors, or solder gun, solder, and heat shrink
- Tape • Wire cutter • Zip ties

CONNECTIONS

From the 16-pin harness with stripped leads to the aftermarket radio:

- Connect the **Red** wire to the accessory wire.
- If the vehicle is equipped with a Sony sound system, connect the Blue/White wire to the amp turn on wire. This wire must be connected to hear sound from the factory amplifier.
- If the aftermarket radio has an illumination wire, connect the **Orange/White** wire to it.
- If the aftermarket radio has a mute wire and the vehicle is equipped with SYNC, connect the **Brown** wire to it. If the mute wire is not connected, the radio will turn off when SYNC is activated.
- Connect the **Gray** wire to the right front positive speaker output.
- Connect the **Gray/Black** wire to the right front negative speaker output.
- Connect the **White** wire to the left front positive speaker output.
- Connect the **White/Black** wire to the left front negative speaker output.

The following (3) wires are only for multimedia/navigation radios that require these wires.

- Connect the **Blue/Pink** wire to the VSS/speed sense wire.
- Connect the **Green/Purple** wire to the reverse wire.
- Connect the **Light Green** wire to the parking brake wire
- Tape off and disregard the following (4) wires, they will not be used in this application: **Green, Green/Black, Purple, Purple/Black.**

From the 5842 harness to the aftermarket radio:

- Connect the **Black** wire to the ground wire.
- Connect the **Yellow** wire to the battery wire.

- Connect the **Blue** wire to the power antenna wire.
- If the vehicle is equipped with NAV, connect the **Blue/White** wire with a red connector to the amp turn on wire. This wire must be connected to hear sound from the factory amplifier.
- Connect the **Green** wire to the left rear positive speaker output.
- Connect the **Green/Black** wire to the left rear negative speaker output.
- Connect the **Purple** wire to the right rear positive speaker output.
- Connect the **Purple/Black** wire to the right rear negative output.
- If the vehicle is equipped with SYNC, connect the **Red** and **White** RCA jacks labeled “RSE/SYNC/SAT”, to the audio AUX-IN jacks.
- Disregard the RCA jacks labeled “FROM 3.5”, they will not be used in this application.
- The DIN jack is not used in this application.
- Connect the **White** RCA jack labeled “SUBWOOFER”, to the subwoofer out jack.
- Disregard the **Red** RCA jack labeled “CENTER CHANNEL”, it will not be used in this application.

4-pin harness with yellow RCA jacks

This harness is to be used to add an aftermarket backup camera to the touchscreen display, if so desired.

- Connect the **Yellow** RCA jack labeled “Rearview camera”, to the RCA jack on the aftermarket backup camera.
- Disregard the **Yellow** RCA jack labeled “AUX video”, it will not be used in this application.

Continue to 3.5mm jack steering wheel control retention

3.5mm jack steering wheel control retention:

- The 3.5mm jack is to be used to retain audio controls on the steering wheel.
 - For the radios listed below, connect the included *female 3.5mm connector with stripped leads*, to the male 3.5mm SWC jack from the Interface. Any remaining wires tape off and disregard.
 - Eclipse:** Connect the steering wheel control wire, normally **Brown**, to the **Brown/White** wire of the connector. Then connect the remaining steering wheel control wire, normally **Brown/White**, to the **Brown** wire of the connector.
 - Metra OE:** Connect the steering wheel control Key 1 wire (**Gray**) to the **Brown** wire.
 - Kenwood or select JVC with a steering wheel control wire:** Connect the **Blue/Yellow** wire to the **Brown** wire.

Note: If your Kenwood radio auto detects as a JVC, manually set the radio type to Kenwood. See the instructions under changing radio type.

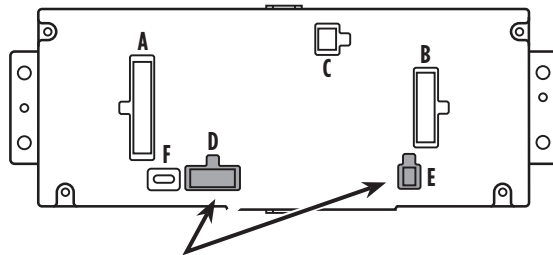
 - XITE:** Connect the steering wheel control SWC-2 wire from the radio to the **Brown** wire.
 - Parrot Asteroid Smart or Tablet:** Connect the 3.5mm jack into the AX-SWC-PARROT (sold separately), and then connect the 4-pin connector from the AX-SWC-PARROT into the radio.
- Note:** The radio must be updated to rev. 2.1.4 or higher software.
- Universal “2 or 3 wire” radio:** Connect the steering wheel control wire, referred to as Key-A or SWC-1, to the **Brown** wire of the connector. Then connect the remaining steering wheel control wire, referred to as Key-B or SWC-2, to the **Brown/White** wire of the connector. If the radio comes with a third wire for ground, disregard this wire.
- Note:** After the interface has been programmed to the vehicle, refer to the manual provided with the radio for assigning the SWC buttons. Contact the radio manufacturer for more information.
- For all other radios:** Connect the 3.5mm jack from the Interface into the jack on the aftermarket radio designated for an external steering wheel control interface. Please refer to the aftermarket radios manual if in doubt as to where the 3.5mm jack goes to.

It is highly advisable to read the following steps beforehand, to ensure a clear understanding of what is to be expected. The following steps must be done in the order that they are numbered.

With the vehicle completely off:

Touchscreen display

- Connect the *16-pin harness with stripped leads* into port “B” in the touchscreen display.
- Connect the *5842 harness* to the wiring harnesses in the vehicle. These harnesses are the ones removed in dash disassembly. Then insert the *5842 harness* into port “A” in the touchscreen display. But do not install this harness until exactly before step 1 of “Programming”. This is a timed process.
- Connect the *4-pin harness with yellow RCA jacks* into port “C” in the touchscreen display.
- Disregard ports “D” and “E”, they will not be used in this application.
- Port “F” is an update port for future firmware upgrades.
- Locate the factory antenna connector in the dash and complete all necessary connections to the radio. Use the *antenna adapter* provided to adapt the factory antenna connector to the aftermarket radio.



Note: DO NOT CONNECT!

PROGRAMMING

Attention! If the interface loses power for any reason, the following steps will need to be performed again.

1. Refer to step 2 from the “Installation” section.
 2. Program the kit:
 - a. Place the vehicle into the start/run position.
 - b. Once the touchscreen display loads up, select the vehicle type.
 - c. Wait until the radio comes on, and the touchscreen display shows “SWC Configured”. This process may take up to 3 minutes.
- Note:** If the touchscreen display does not load up, or the radio doesn’t come on within 3 minutes, and/or the touchscreen display does not show “SWC Configured”, turn the vehicle off and disconnect the 5842 harnesses from port “A” in the touchscreen display. Check all the connections, reconnect the harness into the touchscreen display, and then try again.
3. Cycle the key off, then back on. If the driver’s door is closed, open and close the door.
 4. Test all functions of the installation for proper operation, before reassembling the dash.

FINAL ASSEMBLY

1. Secure the radio assembly into the dash using the factory hardware removed in dash disassembly.
2. Snap the *radio trim panel with touchscreen display* over the completed assembly, and then reassemble the dash in reverse order of disassembly.

EXTRA FEATURES

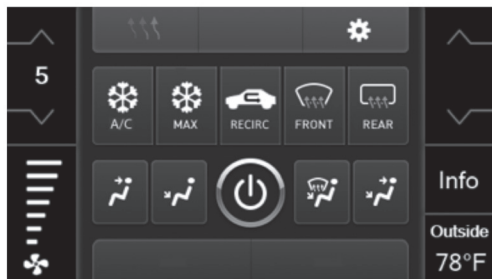
SYNC (4.2-inch display screen models only):

If the vehicle is equipped with SYNC and a 4.2” display screen, the 99-5842 can retain the SYNC feature.

1. Change the source of the radio to AUX-IN.
2. Press the “Info” button on the touchscreen display to enter the SYNC menu.
3. Press the “HVAC” button to get back to the main menu.

TOUCHSCREEN DISPLAY OPERATION

HVAC Control screen



Manual climate controls

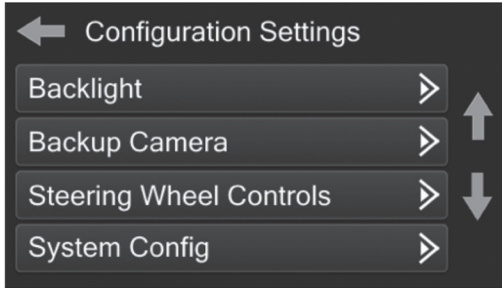


Automatic climate controls

- This is the HVAC control screen which will be displayed on the touchscreen display. This is considered the main screen.
- The upper left tab with (3) arrows will take you to the **Heated/Cooled Seats** screen, if applicable.
Note: This screen will also include Heated Steering if applicable.
- The upper right tab with the gear icon will take you to the **Configuration Settings** screen.
- **Auto climate models:** The climate controls will function in the same manner that they did with the factory climate controls.
- **Manual climate models:** The climate controls will function in the same manner that they did with the factory climate controls, yet via touchscreen buttons instead. The temperature control will display a numerical scale, with “LO” being the coldest, and “HI” being the hottest: LO / 1-9 / HI
Note: The “Info” button will only be shown if SYNC is to be retained.

Continued on the next page

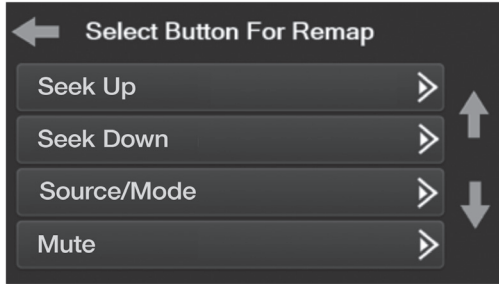
Configuration Settings screen



- **Backlight**
 - Four slide bars control the color of the buttons and the back-light intensity:
Red / Green / Blue / Backlight
- **Backup Camera**
 - Enable – Enables the backup camera image to the touchscreen display
 - Disable – Disables the backup camera image to the touchscreen display (default)
- **Steering Wheel Controls**
 - Remap Buttons – For remapping the steering wheel control buttons
 - Dual Assign – For dual assigning the steering wheel control buttons (long button press)
 - Select Radio – For auto detecting the radio, or changing the radio type
- **System Configuration**
 - About - Information regarding the software in the kit
 - Temperature Unit - To change between Celsius and Fahrenheit
 - Digital Amp Gain - For adjusting the output gain to the amplifier
 - Reset Vehicle Type - To reset the kit to default settings

STEERING WHEEL CONTROL SETTINGS

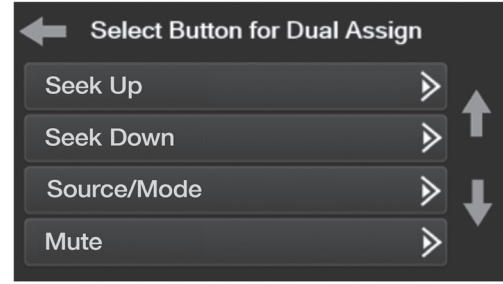
Remap Button screen



- The interface has the ability to change the button assignment for the steering wheel control audio buttons, except Volume-Up and Volume-Down. Follow the prompts on the touchscreen display to remap the steering wheel control audio button(s) to your liking.

Note: The aftermarket radio may not have all of these commands. Please refer to the manual provided with the radio, or contact the radio manufacturer, for specific commands recognized by that particular radio.

Dual Assign screen



- The interface has the capability to assign two functions to a single button, except Volume-Up and Volume-Down. Follow the prompts on the touchscreen display to program the button(s) to your liking.

Note: Seek-Up and Seek-Down come programmed as Preset-Up and Preset-Down for a long button press.

Continued on the next page

STEERING WHEEL CONTROL SETTINGS (CONT.)

Select Radio screen



- To show which brand radio is “auto detected” to the interface, press the “Autodetect” button. The radio detected will have a filled in circle. If the incorrect radio is shown, select the proper radio.
- Following is a list of radio manufacturers that the interface presently acknowledges. Others may be added at a later date. Universal “2 or 3 wire” radios can show up as any of these radio manufacturers.

Eclipse (Type 1) †	JVC	Clarion (Type 2) †	Parrot **
Kenwood ‡	Pioneer/Jensen	Metra OE	XITE
Clarion (Type 1) †	Alpine *	Eclipse (Type 2) †	Philips
Sony / Dual	Visteon	LG	JBL
	Valor		

*** Note:** If the interface shows an Alpine radio, and you do not have an Alpine radio, that means the interface does not detect a radio connected it, i.e., an open connection. Verify that the 3.5mm jack is connected to the correct steering wheel jack/wire in the radio.

**** Note:** The AX-SWC-PARROT is required (sold separately). Also, the Parrot radio must be updated to rev. 2.1.4 or higher through www.parrot.com.

† Note: If you have a Clarion radio and the steering wheel controls do not work, change the radio type to the other Clarion radio type; same for Eclipse.

‡ Note: If you have a Kenwood radio and the touchscreen display shows a JVC radio, change the radio type to Kenwood.

TROUBLESHOOTING

Resetting the interface

Option # 1

1. With everything connected and the car running.
2. Hold the bottom (2) buttons for 3 seconds, then release. (Figure A)
(The screen will turn black and then put you in the vehicle selection screen)
3. Select your vehicle and wait till the “SWC Configured “ appears on the screen.
4. Turn ignition off and start vehicle, then test your interface.

Option #2

1. With the vehicle running, press the **Reset Vehicle Type** button mentioned in **System Configuration**.
2. Refer to **Programming**, step 3, from this point.



(Figure A)



99-5842
INSTALLATION INSTRUCTIONS



Having difficulties? We're here to help.



Contact our Tech Support line at:

386-257-1187



Or via email at:

techsupport@metra-autosound.com

Tech Support Hours (Eastern Standard Time)

Monday - Friday: 9:00 AM - 7:00 PM

Saturday: 10:00 AM - 7:00 PM

Sunday: 10:00 AM - 4:00 PM



KNOWLEDGE IS POWER

Enhance your installation and fabrication skills by enrolling in the most recognized and respected mobile electronics school in our industry. Log onto www.installerinstitute.edu or call 386-672-5771 for more information and take steps toward a better tomorrow.



**Metra recommends MECP
certified technicians**