



## Fits Ford Focus (with 4.2" screen) 2015-2018

Visit [MetraOnline.com](http://MetraOnline.com) for more detailed information about the product and up-to-date vehicle specific applications

### KIT FEATURES

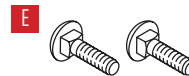
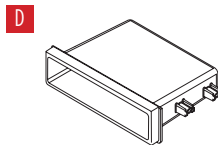
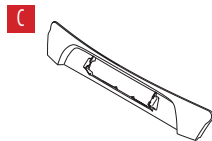
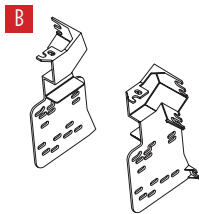
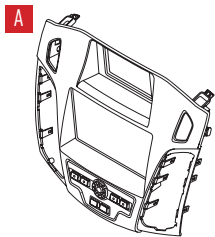
- ISO DIN radio provision w/pocket • Includes Axxess interface & wiring
- ISO DDIN radio provision • Painted matte black
- Integrated controls for info center

### TOOLS REQUIRED

- Panel removal tool • Phillips screwdriver • Socket wrench
- T-25 Torx driver • Cutting tool

### KIT COMPONENTS

- A) Radio trim panel • B) Radio brackets • C) Passenger airbag light panel • D) Pocket • E) (2) Carriage bolts • F) (2) Keps nuts
- G) (4) #8 x 3/8" Phillips screws • H) (2) Panel clips • Not shown: Axxess interface and harnesses, Antenna adapter



### TABLE OF CONTENTS

Dash Disassembly.....	2
Kit Preparation.....	3
Kit Assembly	
–ISO DIN radio provision with pocket.....	4
–ISO DDIN radio provision .....	4
Axxess interface installation .....	5-13
Final assembly .....	9

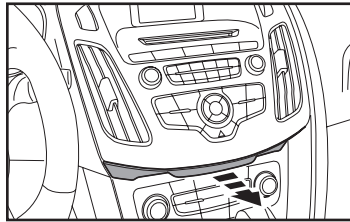
### WIRING & ANTENNA CONNECTIONS

Wiring Harness: Included with kit  
Antenna Adapter: Included with kit

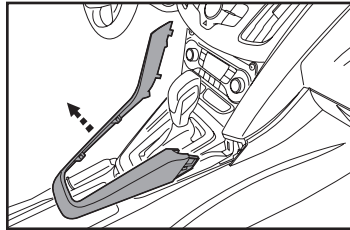
**ATTENTION:** With the key out of the ignition, disconnect the negative battery terminal before installing this product. Ensure that all installation connections, especially the air bag indicator lights, are plugged in before reconnecting the battery or cycling the ignition to test this product. **NOTE:** Refer also to the instructions included with the aftermarket accessory before installing this device.

## DASH DISASSEMBLY

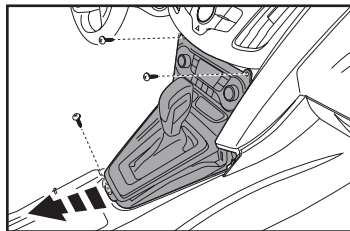
1. Unclip, unplug, and remove the trim panel with the passenger airbag light in it. Keep the airbag light for Kit Preparation. (Figure A)
2. Unclip and remove the trim panel around the shifter panel. (Figure B)
3. Remove (3) Phillips screws securing the shifter panel, then unclip and slide the shifter panel toward the rear of the vehicle. (Figure C)



(Figure A)



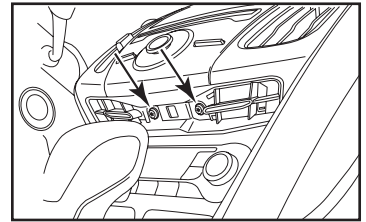
(Figure B)



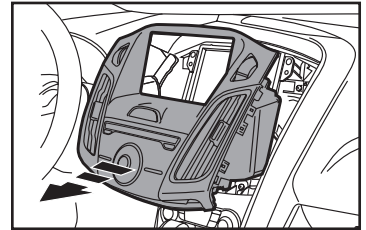
(Figure C)

4. Remove (2) T-25 Torx screws from the bottom of the radio panel. (Figure D)
5. Unclip, unplug and remove the radio control panel including the A/C vents. (Figure E)
6. Remove (2) T-25 Torx screws securing the radio, and (4) T-25 Torx screws securing the display and bracket, and then unplug and remove. (Figure F)

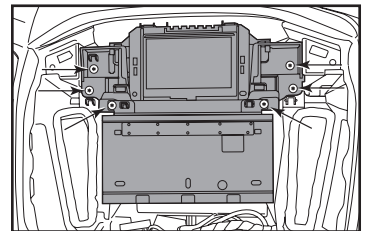
*Continue to Kit Preparation*



(Figure D)



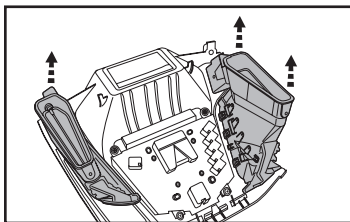
(Figure E)



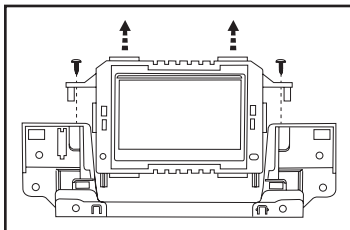
(Figure F)

## KIT PREPARATION

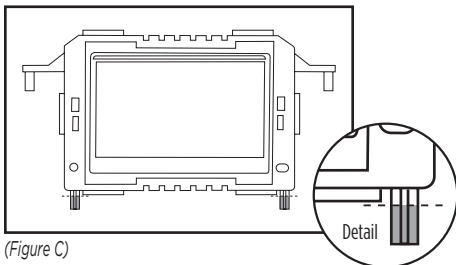
1. Unclip and remove the A/C vents from the factory radio panel. (Figure A)
2. Remove the factory display from the factory bracket assembly. (Figure B)
3. Cut and remove the (2) tabs on the bottom of the factory display. (Figure C)



(Figure A)



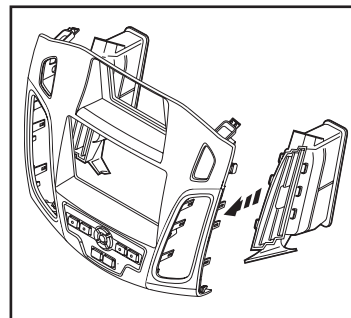
(Figure B)



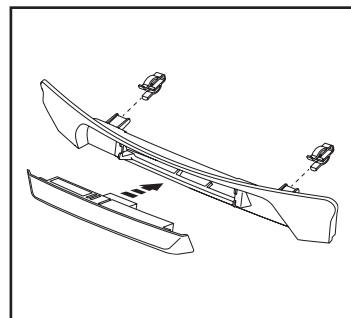
(Figure C)

4. Clip the A/C vents, removed from Step 1, onto the **radio trim panel**. (Figure D)
5. Install the (2) **panel clips**, and the factory passenger airbag light, to the **passenger airbag light panel**. (Figure E)

*Continue to Kit Assembly*



(Figure D)



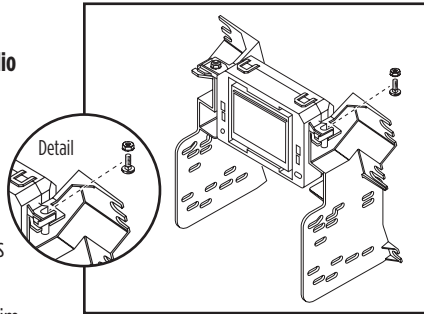
(Figure E)

## KIT ASSEMBLY

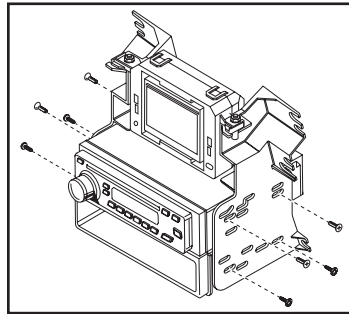
### ISO DIN radio provision with pocket

1. Secure the factory display to the **radio housing brackets** with the supplied **carriage bolts and Keps nuts**. (Figure A)
2. Secure the **pocket** to the radio housing bracket/display assembly with the (4) #8 x 3/8" Phillips screws supplied. (Figure B)
3. Remove the metal DIN sleeve and trim ring from the aftermarket radio.
4. Slide the radio into the radio bracket assembly and secure with screws supplied with the radio. (Figure B)

*Continue to Axxess interface installation*



(Figure A)

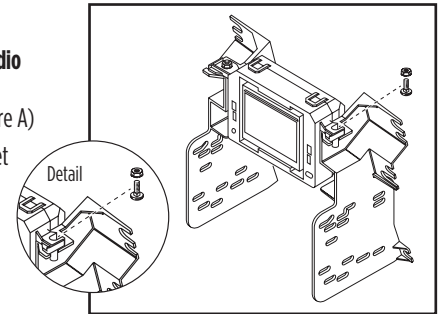


(Figure B)

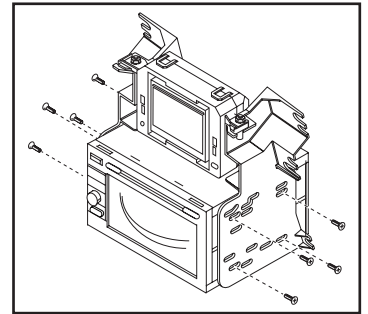
### ISO DDIN radio provision

1. Secure the factory display to the **radio housing brackets** with the supplied **carriage bolts and Keps nuts**. (Figure A)
2. Slide the radio into the radio bracket assembly and secure with screws supplied with the radio. (Figure B)

*Continue to Axxess interface installation*



(Figure A)



(Figure B)

# AXXESS INTERFACE INSTALLATION

## INTERFACE FEATURES

---

- Provides accessory power (12-volt 10-amp)
- Retains R.A.P. (retained accessory power)
- Provides NAV outputs (parking brake, reverse, speed sense)
- Retains audio controls on the steering wheel
- Retains SYNC
- Designed for non-amplified models
- Retains balance and fade
- Micro “B” USB updatable

## INTERFACE COMPONENTS

---

- Axxess Interface
- 5843 harness
- 16-pin harness with stripped leads
- Female 3.5mm connector with stripped leads

## TABLE OF CONTENTS

---

Connections.....	6-7
Installation .....	7
Programming .....	8
Final assembly .....	9
Extra features.....	9
Steering wheel control settings.....	10-13
- LED feedback .....	10
- Changing radio type .....	11
- Remapping the steering wheel control buttons.....	12
- Dual assignment instructions (long button press).....	13
- Resetting the interface.....	13

## TOOLS REQUIRED

---

- Wire cutter • Crimp tool • Solder gun • Tape
- Connectors (example: butt-connectors, bell caps, etc.)

## CONNECTIONS

### From the 16-pin harness with stripped leads to the aftermarket radio:

- Connect the **Red** wire to the accessory wire.
- Connect the **Blue/White** wire to the amp turn on wire.
- If the aftermarket radio has an illumination wire, connect the **Orange/White** wire to it.
- If the aftermarket radio has a mute wire and the vehicle is equipped with SYNC, connect the **Brown** wire to it. If the mute wire is not connected, the radio will turn off when SYNC is activated.
- Connect the **Gray** wire to the right front positive speaker output.
- Connect the **Gray/Black** wire to the right front negative speaker output.
- Connect the **White** wire to the left front positive speaker output.
- Connect the **White/Black** wire to the left front negative speaker output.

*The following (3) wires are only for multimedia/navigation radios that require these wires.*

- Connect the **Blue/Pink** wire to the VSS/speed sense wire.
- Connect the **Green/Purple** wire to the reverse wire.
- Connect the **Light Green** wire to the parking brake wire
- Tape off and disregard the following (4) wires, they will not be used in this application: **Green, Green/Black, Purple, Purple/Black.**

### From the 5843 harness to the aftermarket radio:

- Connect the **Black** wire to the ground wire.
- Connect the **Yellow** wire to the battery wire.
- Connect the **Blue** wire to the power antenna wire.
- Connect the **Green** wire to the left rear positive speaker output.
- Connect the **Green/Black** wire to the left rear negative speaker output.
- Connect the **Purple** wire to the right rear positive speaker output.
- Connect the **Purple/Black** wire to the right rear negative output.
- To retain the factory SYNC feature, connect the **Red** and **White** RCA jacks labeled “RSE/SYNC/SAT” to the audio AUX-IN jacks.
- Disregard the RCA jacks labeled “FROM 3.5”, they will not be used in this application.
- The DIN jack is not used in this application.
- Tape off and disregard the following (1) wire, it will not be used in this application. **Red**

*Continue to 3.5mm jack steering wheel control retention*

**3.5mm jack steering wheel control retention:** The 3.5mm jack is to be used to retain audio controls on the steering wheel.

For the radios listed below, connect the included **female 3.5mm connector with stripped leads**, to the male 3.5mm SWC jack from the Interface. Any remaining wires tape off and disregard.

- **Eclipse:** Connect the steering wheel control wire, normally **Brown**, to the **Brown/White** wire of the connector. Then connect the remaining steering wheel control wire, normally **Brown/White**, to the **Brown** wire of the connector.
- **Metra OE:** Connect the steering wheel control Key 1 wire (Gray) to the **Brown** wire.
- **Kenwood or select JVC** with a steering wheel control wire: Connect the **Blue/Yellow** wire to the **Brown** wire.  
**Note:** If your **Kenwood** radio auto detects as a **JVC**, manually set the radio type to **Kenwood**. See the instructions under **Changing Radio Type**.
- **XITE:** Connect the steering wheel control SWC-2 wire from the radio to the **Brown** wire.
- **Parrot Asteroid Smart or Tablet:** Connect the 3.5mm jack into the AX-SWC-PARROT (sold separately), and then connect the 4-pin connector from the AX-SWC-PARROT into the radio.  
**Note:** The radio must be updated to rev. 2.1.4 or higher software.
- Universal “2 or 3 wire” radio: Connect the steering wheel control wire, referred to as Key-A or SWC-1, to the **Brown** wire of the connector. Then connect the remaining steering wheel control wire, referred to as Key-B or SWC-2, to the **Brown/White** wire of the connector. If the radio comes with a third wire for ground, disregard this wire.

**Note:** After the interface has been programmed to the vehicle, refer to the manual provided with the radio for assigning the SWC buttons. Contact the radio manufacturer for more information.

- **For all other radios:** Connect the 3.5mm jack from the Interface into the jack on the aftermarket radio designated for an external steering wheel control interface. Please refer to the aftermarket radios manual if in doubt as to where the 3.5mm jack goes to.

## INSTALLATION

**With the key in the off position:**

1. Connect the **16-pin harness with stripped leads**, and the **5843 harness**, into the interface.
2. Locate the factory antenna connector in the dash and complete all necessary connections to the radio. Use the antenna adapter provided to adapt the factory antenna connector to the aftermarket radio.

**Attention!** Do not connect the 5843 harness to the wiring harness in the vehicle just yet.

**Attention!** If retaining steering wheel controls, ensure that the jack/wire is connected to the radio before proceeding. If this step is skipped, the interface will need to be reset for the steering wheel controls to function.

## PROGRAMMING

For the steps below, the Red LED (located inside the interface, next to the potentiometer) can only be seen while active. The interface does not need to be opened to see the LED

1. Start the vehicle.
2. Connect the **5843 harness** to the wiring harness in the vehicle.
3. The LED will initially turn on solid **Green**, then turn off for a few seconds while it auto detects the radio installed.
4. The LED will then flash **Red** up to (24) times indicating which radio is connected to the interface, and then turn off for a couple of seconds. Pay close attention to how many **Red** flashes there are. This will help in troubleshooting, if need be. Refer to the LED feedback section for more information.
5. After a couple seconds the LED will turn on solid **Red** while the interface auto detects the vehicle. The radio will shut off at this point. This process should take 5 to 30 seconds.
6. Once the vehicle has been auto detected by the interface, the LED will turn on solid **Green**, and the radio will come back on, indicating programming was successful.
7. Test all functions of the installation for proper operation, before reassembling the dash. If the interface fails to function, refer to “Resetting the interface”.

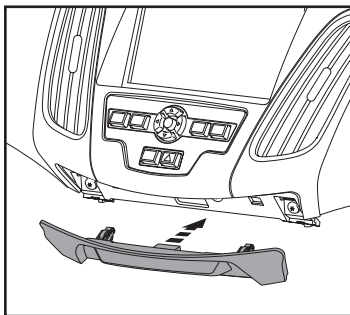
**Note:** The LED will turn on solid **Green** for a moment, and then turn off under normal operation after the key has been cycled.



## FINAL ASSEMBLY

1. Secure the assembly into the sub dash using the factory hardware.
2. Reassemble the dash in the reverse order of disassembly using the **99-5843B trim panel** instead of the factory panel.
3. Install the passenger airbag light assembly into the **99-5843B radio trim panel**. (Figure A)

**Note:** The integrated buttons on this kit are used to navigate the factory display above the radio. The button below the info button can be used to turn the factory screen on and off if desired. The remainder of the control functions are the same as factory was prior to aftermarket installation.



(Figure A)

## EXTRA FEATURES

### SYNC:

- Change the source of the radio to AUX-IN; SYNC audio will start playing if SYNC has been activated.
- Listed below are the functions of the integrated buttons on the kit while using SYNC:
  - Arrow up—Channel up (only in USB mode)
  - Arrow down—Channel down (only in USB mode)
  - Enter—Selects current item on the screen
  - Return/ESC—Exits to the previous screen

## STEERING WHEEL CONTROL SETTINGS

**LED Feedback:** The (24) **Red LED** flashes represent a different radio manufacturer for the **SWC interface** to detect. For example, if you are installing a **JVC** radio, the **SWC interface** will flash **Red** (5) times, then stop. Following is the **LED Feedback Legend**, which indicates the flash count of the radio manufacturer.

### LED Feedback Legend

Flash Count	Radio
1	Eclipse (type 1) †
2	Kenwood ‡
3	Clarion (type 1) †
4	Sony / Dual
5	JVC
6	Pioneer / Jensen
7	Alpine *
8	Visteon
9	Valor
10	Clarion (type 2) †
11	Metra OE
12	Eclipse (type 2) †

Flash Count	Radio
13	LG
14	Parrot **
15	XITE
16	Phillips
17	Kicker
18	JBL
19	Insane
20	Magnadyne
21	Boss
22	Axxera
23	Axxerra (type 2)
24	Alpine (type 2)

### KEYNOTES

\* If the **Interface** flashes **Red** (7) times, and an **Alpine** radio is not installed, that means there is an open connection not accounted for. Verify that the 3.5mm jack is connected to the correct steering wheel jack/wire in the radio.

\*\* The **AX-SWC-PARROT** is required (sold separately). Also, the **Parrot** radio must be updated to rev. 2.1.4 or higher through [www.parrot.com](http://www.parrot.com).

† If a **Clarion** or **Eclipse** radio is installed and the steering wheel controls do not function, change the radio to **Clarion (type 2)** or **Eclipse (type 2)** respectively. If the steering wheel controls still do not function, refer to the **Changing Radio Type** in the next section or at [axessinterfaces.com](http://axessinterfaces.com)

‡ If a **Kenwood** radio is installed and the LED feedback flashes (5) times instead of (2), manually change the radio type to **Kenwood**. To do this, refer to the **Changing Radio Type** document available at [axessinterfaces.com](http://axessinterfaces.com).

*Continued on the next page*

## STEERING WHEEL CONTROL SETTINGS *(CONT.)*

**Attention:** The **Axxess Updater App** can also be used to program the following (3) sub-sections as well, pending that the interface has been initialized and programmed.

### Changing radio type

If the LED flashes do not match the radio you have connected, you must manually program the Interface to tell it what radio it is connected to.

1. After (3) seconds of turning the key on, press and hold the Volume-Down button on the steering wheel until the LED in the Interface goes solid.
2. Release the Volume-Down button; the LED will go out indicating we are now in Changing Radio Type mode.
3. Refer to the Radio Legend to know which radio number you would like to have programmed.
4. Press and hold the Volume-Up button until the LED goes solid, and then release. Repeat this step for the desired radio number you have selected.
5. Once the desired radio number has been selected, press and hold the Volume-Down button on the steering wheel until the LED goes solid. The LED will remain on for about (3) seconds while it stores the new radio information.
6. Once the LED goes off, the Changing Radio Type mode will then end. You can now test the steering control wheel controls.

**Note:** If at any time the user fails to press any button for a period longer than (10) seconds, this process will abort.

Flash Count Radio Legend
1. Eclipse (type 1)
2. Kenwood
3. Clarion (type 1)
4. Sony / Dual
5. JVC
6. Pioneer / Jensen
7. Alpine
8. Visteon
9. Valor
10. Clarion (type 2)
11. Metra OE
12. Eclipse (type 2)
13. LG
14. Parrot
15. XITE
16. Philips
17. Kicker
18. JBL
19. Insane
20. Magnadyne
21. Boss
22. Axxera
23. Axxerra (type 2)
24. Alpine (type 2)

*Continued on the next page*

## STEERING WHEEL CONTROL SETTINGS (CONT.)

### Remapping the steering wheel control buttons

Let's say you have Interface initialized and you want to change the button assignment for the steering wheel control buttons. For example, you would like Seek-Up to become Mute. Follow the steps below to remap the steering wheel control buttons:

1. Ensure the Interface is visible so you can see the LED flashes to confirm button recognition.  
**Tip:** Turning the radio off is recommended.
2. Within the first twenty seconds of turning the ignition on, press and hold the Volume-Up button on the steering wheel until the LED goes solid.
3. Release the Volume-Up button, the LED will then go out; The Volume-Up button has now been programmed.
4. Follow the list in the **Button Assignment Legend** to reference the order in which the steering wheel control buttons need to be programmed.

**Note:** If the next function on the list is not on the steering wheel, press the Volume-Up button for (1) second until the LED comes on, and then release the Volume-Up button. This will tell the Interface that this function is not available and it will move on to the next function.

5. To complete the remapping process, press and hold the Volume-Up button on the steering wheel until the LED in the Interface goes out.

### Button Assignment Legend

- |                   |                          |                  |
|-------------------|--------------------------|------------------|
| 1. Volume-Up      | 7. Preset-Up             | 13. On-Hook *    |
| 2. Volume-Down    | 8. Preset-Down           | 14. Off-Hook *   |
| 3. Seek-Up/Next   | 9. Power                 | 15. Fan-Up **    |
| 4. Seek-Down/Prev | 10. Band                 | 16. Fan-Down **  |
| 5. Source/Mode    | 11. Play/Enter           | 17. Temp-Up **   |
| 6. Mute           | 12. PTT (Push to Talk) * | 18. Temp-Down ** |

\* Not applicable if the vehicle is equipped with SYNC

\*\* Not applicable in this application

**Note:** Not all radios will have all of these commands. Please refer to the manual provided with the radio, or contact the radio manufacturer for specific commands recognized by that particular radio.

*Continued on the next page*

## STEERING WHEEL CONTROL SETTINGS (CONT.)

### Dual Assignment Instructions (Long Button Press)

The Interface has the capability to assign (2) functions to a single button, except Volume-Up and Volume-Down. Follow the steps below to program the button(s) to your liking.

**Note:** Seek-Up and Seek-Down come pre-programmed as Preset-Up and Preset-Down for a long button press.

1. Turn on the ignition but do not start the vehicle.
2. Press and hold down the steering wheel control button that you want to assign a long press function to for about (10) seconds, or until the LED flashes rapidly. At this point release the button; the LED will then go solid.
3. Press and release the Volume-Up button the number of times corresponding to the new button number selected. Refer to the **Dual Assignment Legend**. The LED will flash rapidly while the Volume-Up button is being pressed, and then go back to a solid LED once released. Go to the next step once the Volume-Up button has been pressed the desired number of times.

**Caution:** If more than (10) seconds elapses between pressing the Volume-Up button, this procedure will abort, and the LED will go out.

4. To store the long press button in memory, press the button that you assigned a long press button to (the button held down in Step 2). The LED will now go off indicating the new information has been stored.

**Note:** These steps must be repeated for each button you would like to assign a dual purpose feature to. To reset a button back to its default state, repeat Step 1, and then press the Volume-Down button. The LED will go out, and the long press mapping for that button will be erased.

### Dual Assignment Legend

Function #	Function	Function #	Function
1	Not allowed	10	Band
2	Not allowed	11	Play/Enter
3	Seek-Up/Next	12	PTT (Push to Talk)
4	Seek-Down/Prev	13	On-Hook
5	Mode/Source	14	Off-Hook
6	ATT/Mute	15	Fan-Up *
7	Preset-Up	16	Fan-Down *
8	Preset-Down	17	Temp-Up *
9	Power	18	Temp-Down *

\* Not applicable in this application

### Resetting the Axxess Interface

1. The **Blue** reset button is located inside the interface, between the two connectors. The button is accessible outside the interface, no need to open the interface.
2. Press and hold the reset button for two seconds, and then let go to reset the interface.
3. Refer to **“Programming the Interface”** from this point.



---

---

---

---

---

---

---

---

---

---

---

---

---

---

---

---

---

---

---

---

---

---

---

---

---

---

---

---

---

---

---

---

---

---




---

---

---

---

---

---

---

---

---

---

---

---

---

---

---

---

---



---

---

---

---

---

---

---

---

---

---

---

---

---

---

---

---

---



**99-5843B**  
INSTALLATION INSTRUCTIONS



Having difficulties? We're here to help.



Contact our Tech Support line at:

**386-257-1187**



Or via email at:

[techsupport@metra-autosound.com](mailto:techsupport@metra-autosound.com)

**Tech Support Hours (Eastern Standard Time)**

Monday - Friday: 9:00 AM - 7:00 PM

Saturday: 10:00 AM - 5:00 PM

Sunday: 10:00 AM - 4:00 PM



**Metra recommends MECP  
certified technicians**





Compatible con Ford **Focus** (con pantalla de 4.2")  
**2015 - 2018**

### CARACTERÍSTICAS DEL KIT

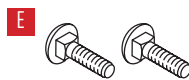
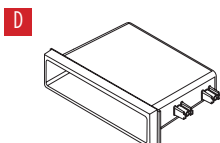
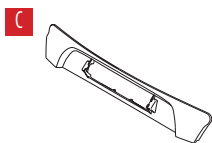
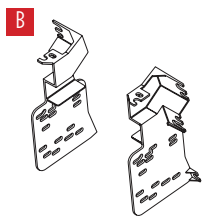
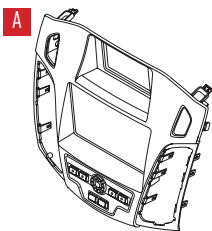
- Provisión de radio ISO DIN con cavidad
- Provisión de radio ISO DDIN
- Controles integrados para el centro de información
- Incluye el cableado y la interfaz de Axxess
- Pintura negro mate

### HERRAMIENTAS NECESARIAS

- Herramienta para remoción de paneles
- Destornillador Phillips
- Llave de tubo
- Destornillador Torx T-25
- Herramienta de corte

### COMPONENTES DEL KIT

- A) Panel de moldura para radio
- B) Soportes del radio
- C) Panel de luces de bolsa de aire del copiloto
- D) Cavidad
- E) (2) Pernos de cabeza de hongo
- F) (2) Tuercas cuadradas
- G) (4) Tornillos Phillips de #8 x 3/8"
- H) (2) Ganchos para panel
- No se muestra: Arneses e interfaz Axxess, Adaptador de antena



### INDICE

Desmontaje del tablero .....	2
Preparación del kit .....	3
Ensamble del kit .....	3
-Provisión de radio ISO DIN con cavidad.....	4
-Provisión de radio ISO DDIN .....	4
Instalación de la interfaz Axxess.....	5-13
Ensamble final .....	9

### CABLEADO Y CONEXIONES DE ANTENA

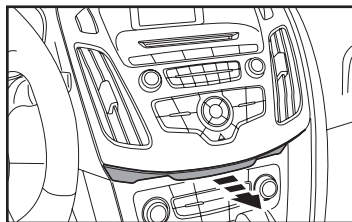
Arnés de cableado: Incluido con el kit  
Adaptador de antena: Incluido con el kit

Visite [MetraOnline.com](http://MetraOnline.com) para más información acerca del producto y las aplicaciones específicas más actualizadas del vehículo

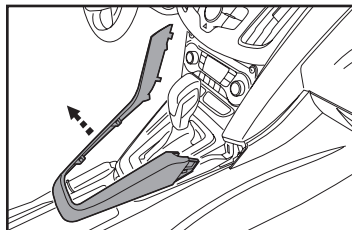
**ATENCIÓN:** Sin tener la llave puesta en la marcha, desconecte la terminal negativa de la batería antes de instalar este producto. Asegúrese de que todas las conexiones de la instalación, en especial las luces indicadoras de las bolsas de aire, estén conectadas antes de volver a conectar la batería o dar vuelta a la marcha para probar este producto.  
**NOTA:** También consulte las instrucciones incluidas con el radio genérico.

## DESMONTAJE DEL TABLERO

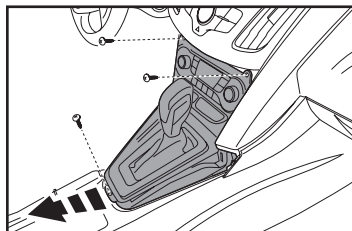
1. Desenganche, desconecte y quite el panel de moldura con la luz de bolsa de aire de copiloto en ella. Conserve la luz de la bolsa de aire para la preparación del kit. (Figura A)
2. Desenganche el panel de moldura que está alrededor del panel de la palanca de velocidades y quitelo. (Figura B)
3. Quite (3) tornillos Phillips que fijan el panel de la palanca de velocidades. Después, desenganche el panel de la palanca de velocidades y deslícelo hacia la parte trasera del vehículo. (Figura C)



(Figura A)



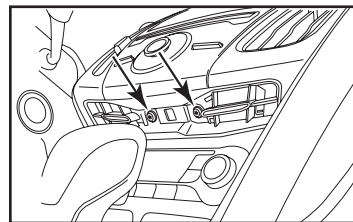
(Figura B)



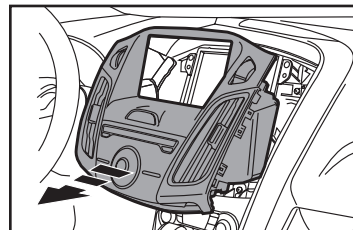
(Figura C)

4. Quite (2) tornillos Torx T-25 desde la parte inferior del panel de radio. (Figura D)
5. Desenganche, desconecte y quite el panel de control de radio con todo y las rejillas de aire acondicionado. (Figura E)
6. Quite (2) tornillos Torx T-25 que fijan el radio, así como (4) tornillos Torx T-25 que fijan la pantalla y el soporte para después desconectarlos y quitarlos. (Figura F)

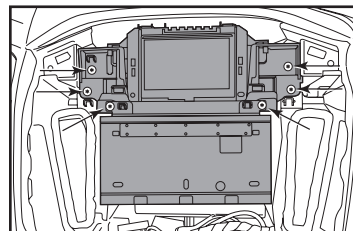
*Continue to Kit Preparation*



(Figura D)



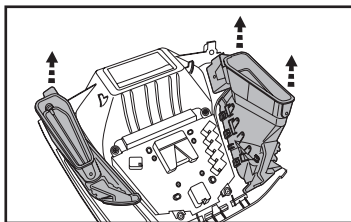
(Figura E)



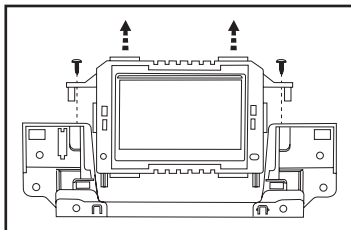
(Figura F)

## PREPARACIÓN DEL KIT

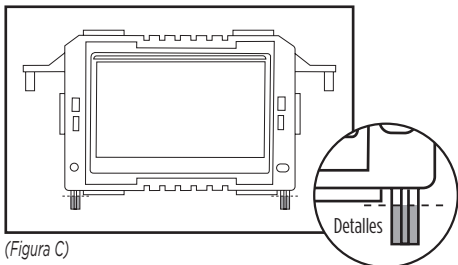
1. Desenganche las rejillas de aire acondicionado del panel de radio de fábrica y quítelas. (Figura A)
2. Quite la pantalla de fábrica del ensamble de soporte de fábrica. (Figura B)
3. Corte y quite las (2) pestañas de la parte de abajo de la pantalla de fábrica. (Figura C)



(Figura A)



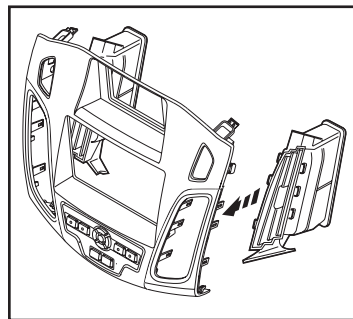
(Figura B)



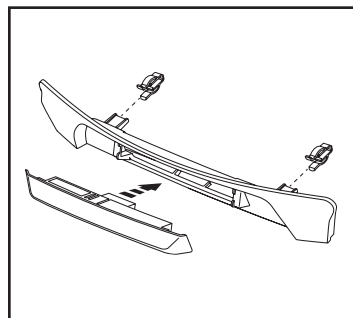
(Figura C)

4. Enganche en el **panel de moldura de radio** las rejillas de aire acondicionado que quitó el paso 1. (Figura D)
5. Instale los (2) **ganchos de panel**, así como la luz de bolsa de aire de copiloto de fábrica, **al panel de luz de bolsa de aire de copiloto**. (Figura E)

*Continúe con el ensamble del kit*



(Figura D)



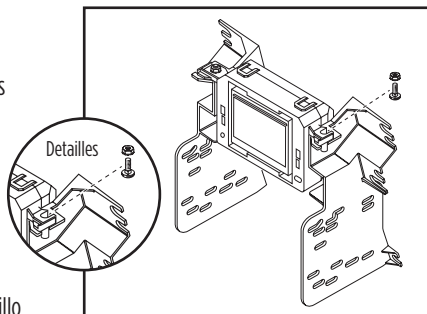
(Figura E)

## ENSAMBLE DEL KIT

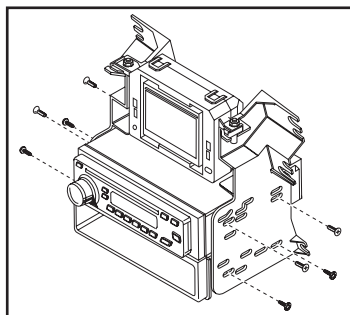
### Provisión de radio ISO DIN con cavidad

1. Monte la pantalla de fábrica en los soportes de **carcasa del radio** con los **pernos de carro y las tuercas Keps suministrados**. (Figura A)
2. Fije la **cavidad** al ensamble de pantalla/soporte de carcasa de radio con los (4) tornillos Phillips de #8 x 3/8" incluidos. (Figura B)
3. Quite la manga de metal DIN y el anillo de moldura del radio genérico.
4. Deslice el radio dentro del ensamble de soporte de radio y fíjelo con los tornillos incluidos con el radio. (Figura B)

Continúe con la instalación de la interfaz Axxess.



(Figura A)

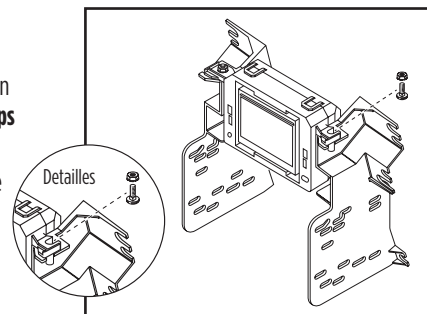


(Figura B)

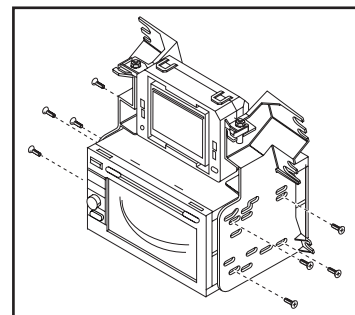
### Provisión de radio ISO DDIN

1. Monte la pantalla de fábrica en los **soportes de carcasa del radio** con los **pernos de carro y las tuercas Keps suministrados**. (Figura A)
2. Deslice el radio dentro del ensamble de soporte de radio y fíjelo con los tornillos incluidos con el radio. (Figura B)

Continúe con la instalación de la interfaz Axxess.



(Figura A)



(Figura B)

# AXXESS INTERFACE INSTALLATION

## CARACTERÍSTICAS DE LA INTERFAZ

---

- Genera corriente de accesorios (12 voltios 10 amperes)
- Conserva el R.A.P. (corriente de accesorio retenida)
- Cuenta con salidas de NAV (freno de mano, reversa, sensor de velocidad)
- Conserva los controles de audio en el volante
- Conserva el SYNC
- Diseñada para modelos no amplificados
- Conserva el balance y la intensidad
- Actualizable por micro "B" USB

## COMPONENTES DE LA INTERFAZ

---

- Interfaz Axxess
- Arnés 5843
- Arnés de 16 pins con conectores pelados
- Conector hembra de 3.5 mm con conectores pelados

## INDICE

---

Conexiones.....	6-7
Instalación.....	7
Programación .....	8
Ensamble final .....	9
Características adicionales.....	9
Configuración de controles en el volante.....	10-13
- Retroalimentación de LED.....	10
- Cambio del tipo de radio.....	11
- Remapeo de los botones de control en el volante.....	12
- Instrucciones de asignación dual (presión extendida de botones).....	13
- Reinicio de la interfaz.....	13

## HERRAMIENTAS NECESARIAS

---

- Cortadora de cables • Pelacables • Soldadora • Cinta
- Conectores (por ejemplo: conectores a tope, tapas tipo campana, etc.)

### Del arnés de 16 pins con conectores pelados al radio genérico:

- Conecte el cable **Rojo** al cable de accesorios.
- Conecte el cable **Azul/Blanco** con el cable de encendido del amplificador.
- Si el radio genérico tiene un cable de iluminación, conéctele el cable **Anaranjado/Bblanco**.
- Si el radio genérico tiene un cable de mudo y el vehículo está equipado con SYNC, conéctele el cable **Café**. Si el cable de mudo no está conectado, el radio se apagará cuando se active SYNC.
- Conecte el cable **Gris** a la salida positiva de la bocina delantera derecha.
- Conecte el cable **Gris/Negro** a la salida negativa de la bocina delantera derecha.
- Conecte el cable **Blanco** a la salida positiva de la bocina delantera izquierda.
- Conecte el cable **Blanco/Negro** a la salida negativa de la bocina delantera izquierda.

Los siguientes (3) cables son únicamente para radios con multimedia/navegación que los necesitan.

- Conecte el cable **Azul** con rosa al cable de VSS/sensor de velocidad.
- Conecte el cable **Verde/Morado** al cable de reversa.
- Conecte el cable **Verde Claro** al cable de freno de mano
- Encinte e ignore los siguientes (4) cables, ya que no se usarán en esta aplicación.  
**Verde, Verde/Negro, Morado, Morado/Negro.**

### Desde el arnés 5843 al radio genérico:

- Conecte el cable **Negro** al cable de tierra.
- Conecte el cable **Amarillo** al cable de la batería.
- Conecte el cable **Azul** al cable de energía de la antena.
- Conecte el cable **Verde** a la salida positiva de la bocina trasera izquierda.
- Conecte el cable **Verde/Negro** a la salida negativa de la bocina trasera izquierda.
- Conecte el cable **Morado** a la salida positiva de la bocina trasera derecha.
- Conecte el cable **Morado/Negro** a la salida negativa de la bocina derecha trasera.
- Si desea conservar el conector AUX-IN de fábrica, conecte los cables RCA **Rojo** y **Blanco** etiquetados "AUX INPUT" al conector AUX-IN.
- Descarte los conectores RCA etiquetados "FROM 3.5", ya que no se utilizarán en esta aplicación.
- El conector DIN no se usa en esta aplicación.
- Encinte y descarte el siguiente (1) cable ya que no se usará en esta aplicación. **Rojo**

*Proceda a la sección "Conservación del control de volante con entrada de 3.5 mm"*

## CONEXIONES A REALIZAR

**Conservación del control en volante con entrada de 3.5 mm:** La entrada de 3.5 mm debe usarse para conservar los controles de audio en el volante.

Para los radios que se mencionan a continuación, conecte el **conector hembra de 3.5 mm con los conectores pelados** incluido al conector SWC macho de 3.5 mm en la interfaz. Todo cable restante debe encintarse y descartarse.

- **Eclipse:** Conecte el cable de control en volante, que suele ser **café**, al cable **café/blanco** del conector. Después, conecte el cable restante de control en volante, que suele ser **café/blanco**, al cable **café** del conector.
- **Metra OE:** Conecte el cable Key 1 (**gris**) del control en el volante al cable **café**.
- **Kenwood o ciertos modelos JVC con un cable de control en el volante:** Conecte el cable **azul/amarillo** al cable **café**.

**Nota:** Si su radio **Kenwood** se detecta automáticamente como JVC, defina manualmente el tipo de radio a **Kenwood**. Consulte las instrucciones en la sección **“Cambio del tipo de radio”**.

- **XITE:** Conecte el cable SWC-2 de control en el volante del radio al cable **café**.
- **Parrot Asteroid Smart o Tablet:** Conecte el conector de 3.5 mm al AX-SWC-PARROT (se vende por separado) y después, conecte el conector de 4 pins del AX-SWC-PARROT al radio.

**Nota:** El radio debe estar actualizado a la versión de software 2.1.4 o posterior.

- **Radio universal de “2 o 3 cables”:** Conecte el cable de control en volante, que se conoce como Key-A o SWC-1, al cable **café** del conector. Después, conecte el cable de control en volante restante, que se conoce como Key-B o SWC-2, al cable **café/blanco** del conector. Si el radio incluye un tercer cable de puesta a tierra, descarte este cable.

**Nota:** Después de haber programado la interfaz al vehículo, consulte el manual incluido con el radio para saber cómo asignar los botones SWC. Comuníquese con el fabricante de radio para más información.

- **Para todos los demás radios:** Conecte el conector de 3.5 mm del arnés 3028 en la entrada en el radio genérico designada para una interfaz de control al volante externa. Consulte el manual de los radios genéricos en caso de tener dudas sobre adónde va el conector de 3.5 mm.

## INSTALACIÓN

**Con la llave en la posición de apagado:**

1. Conecte el **arnés de 16 pins con conectores pelados** y el **arnés 5843** a la interfaz.
2. Localice el conector de la antena de fábrica en el tablero y realice todas las conexiones necesarias al radio. Use el adaptador de antena incluido para adaptar el conector de antena de fábrica al radio genérico.

**¡Atención!** No conecte el arnés 5843 al arnés de cableado en el vehículo todavía.

**¡Atención!** Si va a conservar los controles en volante, asegúrese de que el cable/el conector esté conectado al radio antes de continuar. Si se salta este paso, tendrá que restablecerse la interfaz para que funcionen los controles en el volante.

## PROGRAMACIÓN

Para los siguientes pasos, la luz LED roja (que se encuentra dentro de la interfaz, a un lado del potenciómetro) sólo se puede ver mientras esté activa. No es necesario abrir la interfaz para ver la luz LED.

1. Encienda el vehículo.
2. Conecte el arnés **5843 al arnés** de cableado en el vehículo.
3. La luz LED se encenderá en **verde** fijo. Después, se apagará durante unos cuantos segundos si detecta automáticamente el radio que se instaló.
4. Posteriormente, la luz LED parpadeará (18) veces en **rojo**, lo que indicará qué radio está conectado a la interfaz. Después, se apagará por unos cuantos segundos. Preste mucha atención a la cantidad de veces que parpadee la luz en **rojo**. Esto le ayudará en la resolución de problemas, en caso de ser necesario. Consulte la sección de retroalimentación de LED para más información.
5. Después de unos segundos, la luz LED se encenderá en **rojo** fijo mientras la interfaz detecta automáticamente el vehículo. El radio se apagará en este momento. Este proceso debe de tomar entre 5 y 30 segundos.
6. Cuando la interfaz haya detectado automáticamente el vehículo, la luz LED se encenderá en **verde** fijo y el radio se encenderá nuevamente, lo que indicará que la programación fue exitosa.
7. Antes de volver a armar el tablero, pruebe todas las funciones de la instalación para corroborar que todo funciona correctamente. Si la interfaz no funciona, consulte la sección "Restablecimiento de la interfaz".

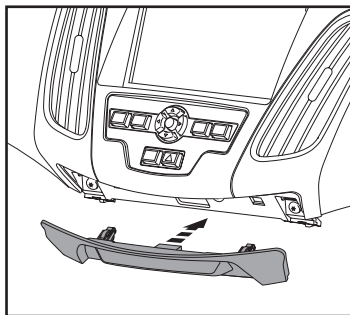
**Nota:** La luz LED se encenderá en **verde** fijo por un momento. Después, se apagará en su funcionamiento normal cuando se gire la llave.



## ENSAMBLE FINAL

1. Fije el ensamble al subtablero con la tornillería de fábrica.
2. Vuelva a armar el tablero al revés de como lo desarmó, usando el **panel de moldura 99-5843B** en lugar del panel del fábrica.
3. Instale el ensamble de la luz de bolsa de aire del copiloto dentro del **panel de moldura para radio 99-5843B**.  
(Figura A)

**Nota:** Los botones integrados que vienen en este kit se usan para navegar en la pantalla de fábrica que está encima del radio. El botón debajo del botón de información puede usarse para encender y apagar la pantalla de fábrica si así lo quiere. El resto de las funciones de control son las mismas que las que venían de fábrica antes de que se instalara el radio genérico.



(Figura A)

## CARACTERÍSTICAS ADICIONALES

### SYNC:

- Cambie el origen del radio a AUX-IN. El audio de SYNC empezará a oírse si se activa el SYNC.
- A continuación se incluye una lista de las funciones de los botones integrados que vienen en el kit mientras se usa la función SYNC:
  - Flecha hacia arriba: Siguiente canal (únicamente en modo USB)
  - Flecha hacia abajo: Canal anterior (únicamente en modo USB)
  - Aceptar: selecciona el elemento actual que aparece en pantalla
  - Regresar/ESC: sale a la pantalla anterior

## CONFIGURACIÓN DE CONTROLES EN EL VOLANTE

**Retroalimentación de luz LED:** Los (24) parpadeos en **Rojo de la luz LED** significan que la **interfaz de control en volante AXCESS** detectó un fabricante de radio distinto. Por ejemplo, si está instalando un radio **JVC**, la interfaz de control en volante AXCESS parpadeará (5) veces en rojo antes de apagarse.

A continuación está la leyenda de **Retroalimentación de luz LED**, que indica el contador de parpadeos del fabricante del radio.

### Retroalimentación de luz LED

Recuento de destellos	Radio
1	Eclipse (tipo 1) †
2	Kenwood ‡
3	Clarion (tipo 1) †
4	Sony / Dual
5	JVC
6	Pioneer / Jensen
7	Alpine *
8	Visteon
9	Valor
10	Clarion (tipo 2) †
11	Metra OE
12	Eclipse (tipo 2) †

Recuento de destellos	Radio
13	LG
14	Parrot **
15	XITE
16	Philips
17	Kicker
18	JBL
19	Insane
20	Magnadyne
21	Boss
22	Axxera
23	Axxerra (tipo 2)
24	Alpine (tipo 2)

### ASPECTOS IMPORTANTES

\* Si la **interfaz de control en volante AXCESS** parpadea (7) veces en rojo y no se ha instalado un radio **Alpine**, eso significa que hay una conexión abierta que no se consideró. Revise que la entrada de 3.5 mm esté conectada al cable/entrada de volante correcto en el radio.

\*\* Se necesita el **AX-SWC-PARROT** (se vende por separado). Asimismo, el software en el radio debe estar en la versión 2.1.4 o posterior.

† Si se instala un radio **Clarion** o **Eclipse** y los controles en volante no funcionan, cambie el radio a **Clarion (tipo 2)** o **Eclipse (tipo 2)**, respectivamente. Si los controles en volante siguen sin funcionar, consulte el documento de **“Cambio de tipo de radio”** que se encuentra en la página [axcessinterfaces.com](http://axcessinterfaces.com).

‡ Si se instala un radio Kenwood y la retroalimentación de la luz LED parpadea (5) veces en lugar de (2), cambie manualmente el tipo de radio a Kenwood. Consulte el documento **“Cambio de tipo de radio”** que se encuentra en la página [axcessinterfaces.com](http://axcessinterfaces.com).

*Continúa en la siguiente página*

## CONFIGURACIÓN DE CONTROLES EN EL VOLANTE (CONT.)

**Atención:** La aplicación **Axxess Updater** también puede usarse para programar las siguientes (3) subsecciones, siempre y cuando se haya programado la interfaz Axxess.

### Cambio de tipo de radio

Si el parpadeo de la luz LED no coincide con el radio que había conectado, debe programar la interfaz Axxess manualmente para que indique qué radio está conectado.

1. Después de (3) segundos de haber encendido la marcha, mantenga oprimido el botón de **Bajar volumen** en el volante hasta que la luz LED en la interfaz Axxess deje de parpadear.
2. Suelte el botón de **Bajar volumen**. La luz LED se apagará, lo que quiere decir que la interfaz Axxess está en modo de “**Cambio del tipo de radio**”.
3. Consulte la **lista de leyendas de radios** para saber qué número de radio le gustaría programar.
4. Mantenga oprimido el botón de **Subir volumen** hasta que la luz LED se encienda en color sólido. Después, suéltelo. Repita este paso hasta llegar al número de radio que haya seleccionado.
5. Cuando se haya seleccionado el número de radio deseado, mantenga oprimido el botón de **Bajar volumen** en el volante hasta que la luz LED deje de parpadear. La luz LED permanecerá encendida durante cerca de (3) segundos mientras guarda la información del radio nuevo.
6. Cuando se apague la luz LED, habrá terminado el modo de **cambio de tipo de radio**. Ahora puede probar los controles en el volante.

**Nota:** Si el usuario no presiona ningún botón durante más de (10) segundos en algún momento, se abortará este proceso.

#### Leyenda de Conteo de Destellos del Radio

1. Eclipse (typo 1)

2. Kenwood

3. Clarion (typo 1)

4. Sony / Dual

5. JVC

6. Pioneer / Jensen

7. Alpine

8. Visteon

9. Valor

10. Clarion (typo 2)

11. Metra OE

12. Eclipse (typo 2)

13. LG

14. Parrot

15. XITE

16. Philips

17. Kicker

18. JBL

19. Insane

20. Magnadyne

21. Boss

22. Axxera

23. Axxerra (typo 2)

24. Alpine (typo 2)

*Continúa en la siguiente página*

## CONFIGURACIÓN DE CONTROLES EN EL VOLANTE (CONT.)

### Remapeo de los botones del control en el volante

Digamos que ya ha inicializado la interfaz y quiere cambiar la asignación de los botones en los controles en el volante. Por ejemplo, quisiera que el botón de “Buscar siguiente” sea “Mudo”. Siga estos pasos para remapear los botones del control en el volante:

1. Asegúrese de que la interfaz sea visible para que pueda ver que la luz LED parpadea con el fin de confirmar el reconocimiento de los botones.  
**Sugerencia:** Se recomienda apagar el radio.
2. Durante los primeros veinte segundos de haber encendido la marcha, mantenga oprimido el botón de Subir volumen en el volante hasta que la luz LED deje de parpadear.
3. Suelte el botón de subir volumen. Después, la luz LED se apagará. En este momento, el botón de Subir volumen ya habrá quedado programado.
4. Siga la lista de “Leyenda de asignación de botones” para consultar el orden en que tienen que programarse los botones de control en volante.

**Nota:** Si la siguiente función en la lista no está en el volante, oprima el botón de Subir volumen por (1) segundo hasta que se encienda la luz LED. Después, suelte el botón de Subir volumen. Esto le indicará a la interfaz que esta función no está disponible, por lo que pasará a la próxima función.

5. Para terminar el proceso de remapeo, mantenga oprimido el botón de Subir volumen en el volante hasta que se apague la luz LED en la interfaz.

### Leyenda de asignación de botones

- |                     |                                  |                         |
|---------------------|----------------------------------|-------------------------|
| 1. Subir volumen    | 7. Subir preestablecido          | 13. Colgado*            |
| 2. Bajar volumen    | 8. Bajar preestablecido          | 14. Descolgado*         |
| 3. Buscar siguiente | 9. Encendido                     | 15. Subir ventilador ** |
| 4. Buscar anterior  | 10. Banda                        | 16. Bajar ventilador ** |
| 5. Origen/Modo      | 11. Reproducir/Aceptar           | 17. Subir temp. **      |
| 6. Silencio         | 12. PTT (presionar para hablar)* | 18. Bajar temp. **      |

\* No disponible si el vehículo viene equipado con SYNC

\*\* No disponible en esta aplicación

**Nota:** No todos los radios tienen estos comandos. Consulte el manual que incluye el radio o comuníquese con el fabricante del radio para consultar los comandos específicos que reconoce este radio en especial.

*Continúa en la siguiente página*

## CONFIGURACIÓN DE CONTROLES EN EL VOLANTE (CONT.)

### Instrucciones de asignación dual (presión extendida de botones)

La interfaz tiene la capacidad de asignar (2) funciones a un mismo botón, salvo por los botones de Subir volumen y Bajar volumen. Siga los pasos que están a continuación para programar los botones a su gusto.

**Nota:** Buscar siguiente y Buscar anterior vienen preprogramados como Subir preestablecido y Bajar preestablecido cuando se oprime el botón por largo tiempo.

1. Encienda la marcha, pero no arranque el vehículo.
2. Mantenga oprimido el botón de control en el volante que quisiera asignar para asignar una función de presión extendida por cerca de (10) segundos o bien, hasta que la luz LED parpadee rápidamente. En este momento, suelte el botón y la luz LED dejará de parpadear.
3. Oprima el botón de Subir volumen la misma cantidad de veces que correspondan al número de botón nuevo seleccionado. Consulte la **Leyenda De Asignación Dual**. La luz LED parpadeará rápidamente mientras se oprime el botón de Subir volumen, que dejará de parpadear cuando se suelte. Vaya al siguiente paso cuando se haya oprimido el botón de Subir volumen la cantidad de veces deseada.

**Precaución:** Si pasan más de (10) segundos desde que oprimió el botón de subir volumen por última vez, se abortará este procedimiento y se apagará la luz LED.

4. Para que el botón de presión extendida quede guardado en la memoria, oprima el botón al que asignó como función de presión extendida (el botón que mantuvo oprimido en el paso 2). En este momento se apagará la luz LED para indicar que ha quedado guardada la nueva información.

**Nota:** Debe repetir estos mismos pasos en cada botón al que quiera asignar una función dual. Para restablecer un botón a su estado predeterminado, repita el paso 1 y después, presione el botón de Bajar volumen. Se apagará la luz LED y se eliminará el mapeo de presión extendida del botón en cuestión.

### Leyenda de asignación dual

Function #	Function	Function #	Function
1	No se permite	10	Banda
2	No se permite	11	Reproducir/Acepta
3	Buscar siguiente	12	PTT (Presionar para hablar)
4	Buscar anterior	13	Colgado
5	Modo/Origen	14	Descolgado
6	ATT/Mudo	15	Subir ventilador*
7	Subir preestablecido	16	Bajar ventilador*
8	Bajar preestablecido	17	Subir temp*
9	Encendido	18	Bajar temp*

\* No disponible en esta aplicación

### Reinicio de la interfaz

1. El botón de reinicio **azul** se encuentra dentro de la interfaz, entre los dos conectores. Puede acceder al botón desde afuera de la interfaz, por lo que no es necesario abrir la interfaz.
2. Mantenga oprimido el botón de reinicio durante dos segundos. Después, suéltelo para reiniciar la interfaz.
3. Consulte la sección **“Programación de la interfaz”** a partir de este punto.



---

---

---

---

---

---

---

---

---

---

---

---

---

---

---

---

---

---

---

---

---

---

---

---

---

---

---

---

---

---

---

---

---

---

---

---

---

---

---

---

---

---

---

---

---

---

---

---

---

---

---

---

---



---

---

---

---

---

---

---

---

---

---

---

---

---

---

---

---

---

---

---

---

---

---

---

---

---

---

---

---

---

---

---

---

---

---

---

---

---

---

---

---

---

---

---

---

---

---



**99-3018**  
INSTRUCCIONES DE INSTALACIÓN



¿Tienes dificultades? Estamos aquí para ayudar.



Póngase en contacto con nuestra  
línea de soporte técnico en:

**386-257-1187**



O por correo electrónico a:

[techsupport@metra-autosound.com](mailto:techsupport@metra-autosound.com)

**Horas de soporte técnico (hora estándar del este)**

Monday - Friday: 9:00 AM - 7:00 PM

Saturday: 10:00 AM - 5:00 PM

Sunday: 10:00 AM - 4:00 PM



**Metra recomienda MECP  
técnicos certificados**