



Ford Transit Connect (with AM/FM only radio) 2014-2018

Visit MetraOnline.com for more detailed information about the product and up-to-date vehicle specific applications

KIT FEATURES

- ISO DIN radio provision with pocket
- ISO DDIN radio provision
- Passenger airbag indicator
- Painted scratch resistant matte black

KIT COMPONENTS

- A) Radio trim panel • B) Radio brackets • C) Sub-dash bracket • D) ISO-DIN pocket • E) (4) Panel clips • F) (4) #8 x 3/8" Phillips screws • G) Upper pocket

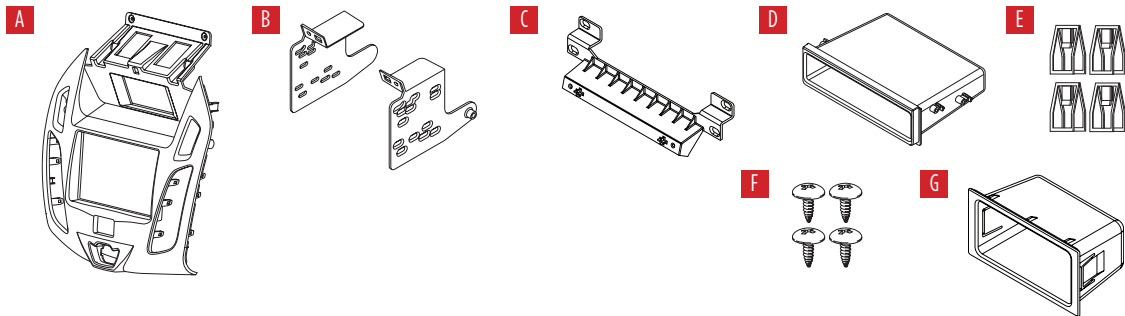


TABLE OF CONTENTS

Dash Disassembly.....	2
Kit Assembly	
–ISO DIN radio provision with pocket.....	3
–ISO DDIN radio provision.....	3

WIRING & ANTENNA CONNECTIONS (sold separately)

Wiring Harness: 70-5524

Antenna Adapter: 40-EU10

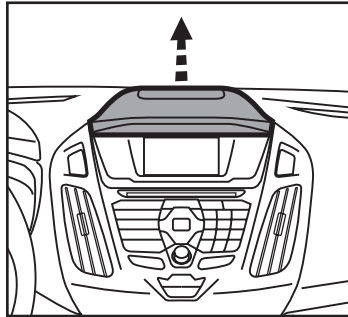
TOOLS REQUIRED

- Panel removal tool • Phillips screwdriver
- T-15 Torx driver • T-20 Torx driver

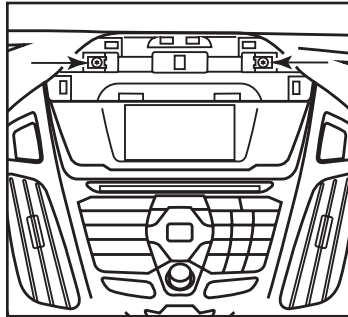
Attention! Let the vehicle sit with the key out of the ignition for a few minutes before removing the factory radio. When testing the aftermarket equipment, ensure that all factory equipment is connected before cycling the key to ignition.

DASH DISASSEMBLY

1. Remove the top panel above the storage pocket. (Figure A)
2. Remove (2) T-15 Torx screws above the display/radio panel. (Figure B)
3. Unplug and remove the display/radio panel. (Figure C)



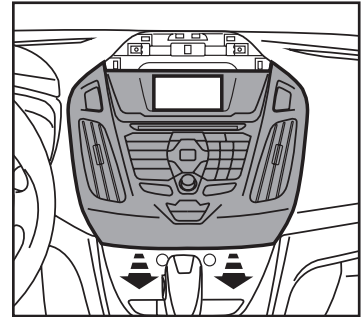
(Figure A)



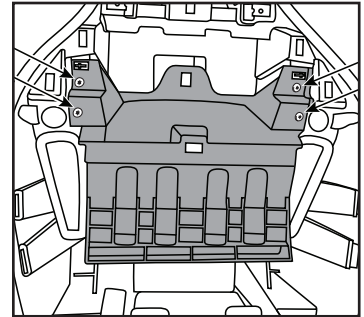
(Figure B)

4. Remove the A/C vents and hazard switch from the panel and set aside for kit assembly.
5. Remove (4) T-20 Torx screws and remove the shaded factory sub-dash bracket. (Figure D)

Continue to Kit Assembly



(Figure C)

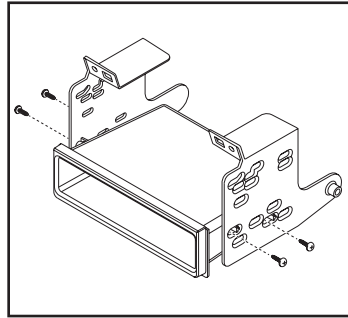


(Figure D)

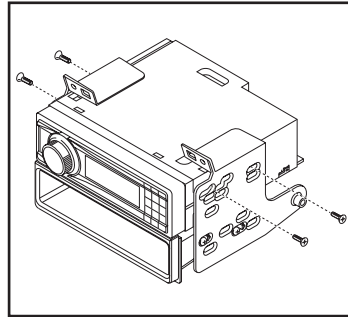
KIT ASSEMBLY

ISO DIN radio provision with pocket

1. Secure the **sub-dash bracket** into the dash opening with either the factory screws or the included screws.
2. Secure the **pocket** to the **radio brackets** using the (4) #8 x 3/8" Phillips screws supplied. (Figure A)
3. Remove the metal "DIN" sleeve and trim ring from the aftermarket radio.
4. Slide the radio into the bracket/pocket assembly, then secure the radio using the screws supplied with the radio. (Figure B)
5. Snap the hazard switch into the **radio trim panel** from the front.
6. Snap the A/C vents into the **radio trim panel** from the back.
7. Plug in the passenger airbag light and hazard connections.
8. Locate the factory wiring harness and antenna connector in the dash, and complete all necessary connections to the radio. Metra recommends using the proper mating adapter from Metra and/or AXCESS.
9. Attach (4) **panel clips** to the **radio trim panel**, then reassemble the dash in reverse order of disassembly, using the **99-5856B radio trim panel**.
10. Snap in the **upper pocket** to complete the installation.



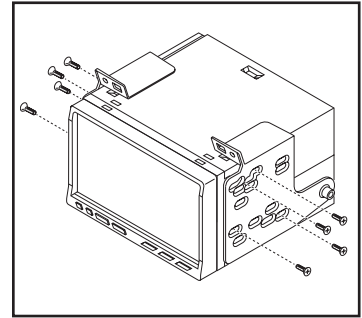
(Figure A)



(Figure B)

ISO DDIN radio provision

1. Secure the **sub-dash bracket** into the dash opening with either the factory screws or the included screws.
2. Secure the **radio brackets** to the radio using the screws supplied with the radio. (Figure A)
3. Snap the hazard switch into the **radio trim panel** from the front.
4. Snap the A/C vents into the **radio trim panel** from the back.
5. Plug in the passenger airbag light and hazard connections.
6. Locate the factory wiring harness and antenna connector in the dash, and complete all necessary connections to the radio. Metra recommends using the proper mating adapter from Metra and/or AXCESS.
7. Attach (4) **panel clips** to the **radio trim panel**, then reassemble the dash in reverse order of disassembly, using the **99-5856B radio trim panel**.
8. Snap in the **upper pocket** to complete the installation.



(Figure A)



99-5856B
INSTALLATION INSTRUCTIONS



If you are having difficulties with the installation of this product, contact our Tech Support line either by phone at **386-257-1187**, or email at **techsupport@metra-autosound.com**. Before doing so, look over the instruction booklet a second time and ensure that the installation was performed exactly as the instruction booklet is stated. Have the vehicle apart and ready to perform troubleshooting steps before contacting Metra/Axxess Tech Support.



KNOWLEDGE IS POWER

Enhance your installation and fabrication skills by enrolling in the most recognized and respected mobile electronics school in our industry. Log onto www.installerinstitute.com or call 800-354-6782 for more information and take steps toward a better tomorrow.



Metra recommends MECP certified technicians