



Ford Explorer (with dual zone auto climate controls and without factory Sony system) 2011-2019

Visit MetraOnline.com for more detailed information about the product and up-to-date vehicle specific applications

KIT FEATURES

- ISO DIN radio provision with pocket
- ISO DDIN radio provision
- Included interface for climate and steering wheel functions
- Retains factory USB and back-up camera (if equipped)
- Painted to match the factory finish

KIT COMPONENTS

- A) Radio trim panel • B) Radio brackets • C) Pocket • D) Buttons: Vented seats, (L & R), Heated steering wheel, Backup camera, Parking assist, Blanks (5) • E) (2) Panel clips • F) (2) #4 x 1/2" Phillips pan-head screws • G) (4) #8 x 3/8" Phillips truss-head screws • H) Wiring harness (not shown) • I) Antenna adapter (not shown)

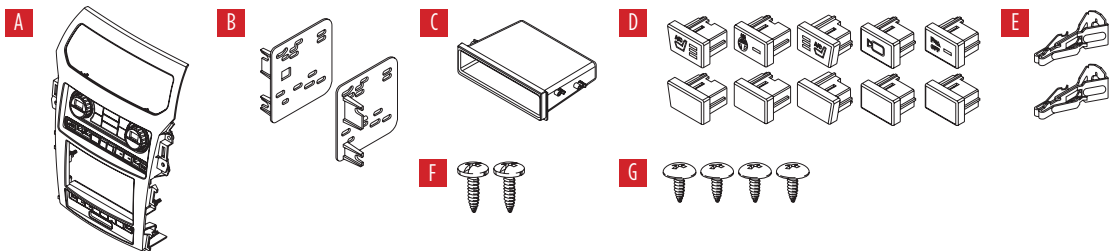


TABLE OF CONTENTS

| | |
|---|------|
| Dash Disassembly..... | 2 |
| Kit Preparation..... | 3 |
| Kit Assembly | |
| –ISO DIN radio provision with pocket..... | 4 |
| –ISO DDIN radio provision..... | 4 |
| Axxess Interface Installation..... | 5-17 |
| Final Assembly..... | 9 |

WIRING & ANTENNA CONNECTIONS

Wiring Harness: Axxess interface built into kit
 Antenna Adapter: Included with kit
 USB retention sold separately. AX-FDUSBAUX for 2015-2019, AXFD-USB3 for 2011-2014.

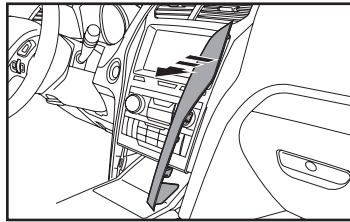
TOOLS REQUIRED

- Panel removal tool • Phillips screwdriver
- 9/32" socket wrench • Torx screwdriver

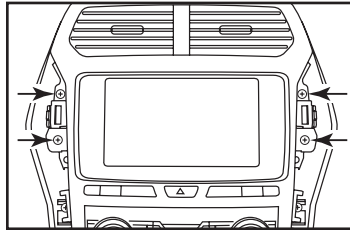
Attention! With the key out of the ignition, disconnect the negative battery terminal before installing this product. Ensure that all installation connections are secure before cycling the ignition to test this product.

DASH DISASSEMBLY

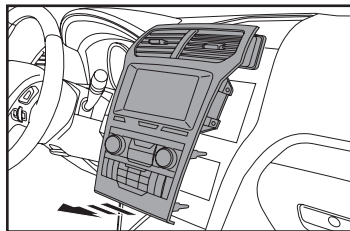
1. Unclip and remove the trim panels to the left and right of the climate & radio control panel. (Figure A)
2. Remove (4) 9/32" screws securing the climate & radio control panel, then remove. (Figure B)
3. Unclip, unplug, and remove the climate & radio control panel. (Figure C)



(Figure A)



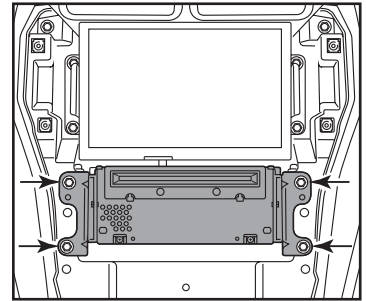
(Figure B)



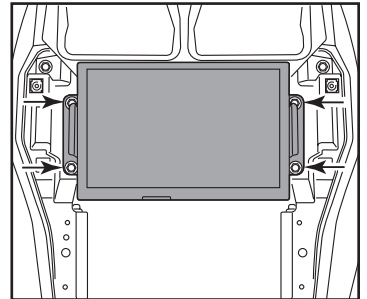
(Figure C)

4. Remove (4) 9/32" screws securing the radio chassis. Slide the chassis out, then unplug and remove. (Figure D)
5. Remove (4) 9/32" screws securing the radio display, then unplug and remove. (Figure E)

Continue to Kit Preparation



(Figure D)

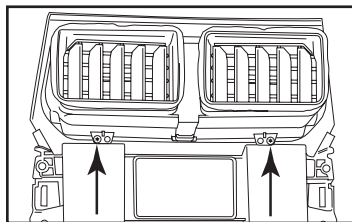


(Figure E)

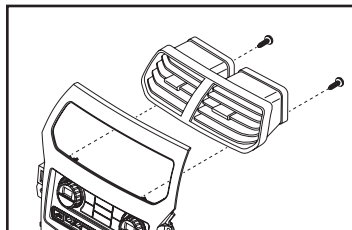
KIT PREPARATION

1. Remove (2) Torx screws securing the a/c vents to the factory radio/climate control panel, then unclip and remove them from the panel. (Figure A)
2. Attach the a/c vents to the **radio trim panel** using the (2) #4 x 1/2" Phillips screws provided with the kit. (Figure B)
3. Attach the **panel clips** provided with the kit onto the **radio trim panel**. The factory clips may also be used if desired. (Figure C)

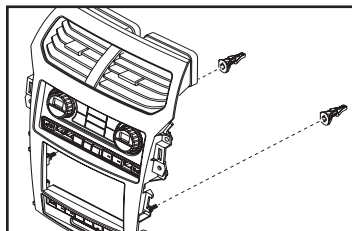
Continue to Kit Assembly



(Figure A)



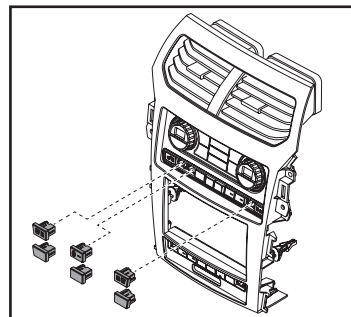
(Figure B)



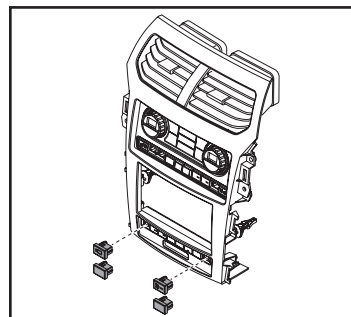
(Figure C)

4. **For models with vented seats and a heated steering wheel:**
Clip in the **vented seats and heated steering wheel buttons** into the upper panel. (Figure D)
For models without vented seats and a heated steering wheel: Clip in the **blank panels**. (Figure D)
5. **For models with backup camera and parking assist:**
Clip in the **backup camera and parking assist buttons** into the lower panel. (Figure E)
For models without backup camera and parking assist: Clip in the **blank panels**. (Figure E)

Continue to Kit Assembly



(Figure D)



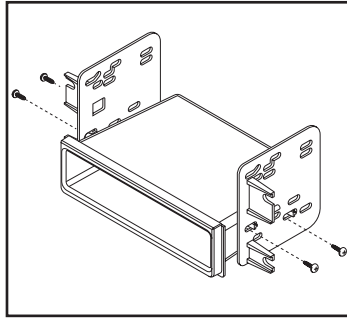
(Figure E)

KIT ASSEMBLY

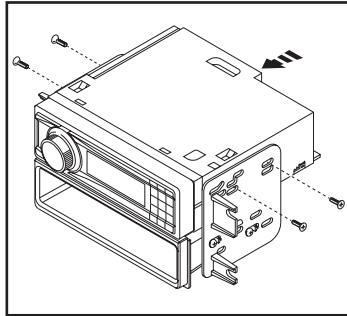
ISO DIN radio provision with pocket

1. Secure the **radio brackets** to the **pocket** using (4) #8 x 3/8" Phillips truss-head screws provided. (Figure A)
2. Remove the metal DIN sleeve and trim ring from the aftermarket radio.
3. Slide the radio into the bracket/pocket assembly, then secure it using screws supplied with the radio. (Figure B)

Continue to Axxess Interface Installation



(Figure A)

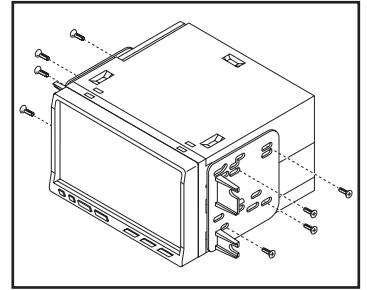


(Figure B)

ISO DDIN radio provision

1. Secure the **radio brackets** to the radio using screws supplied with the radio. (Figure A)

Continue to Axxess Interface Installation



(Figure A)

AXXESS INTERFACE INSTALLATION

INTERFACE FEATURES

- Provides retained accessory power (12-volt 10-amp)
- Provides illumination, parking brake, reverse, and speed sense outputs
- Retains audio controls on the steering wheel
- Retains factory USB and back-up camera (if equipped)
- Can be used in both amplified and non-amplified models
- Retains balance and fade
- Micro-B USB updatable

INTERFACE COMPONENTS

- Axxess interface (built into kit)
- Car side harness (LD-TSCREEN-FD3)
- AXFD-USB3 for 11-15 and AXFD-USB for 16-19.
- Backup camera harness (LD-FD54CAM)
- Climate control harness (LD-EXPL-DZ)
- 16-pin harness (LD-2NAVAMPL)
- 3.5mm adapter
- Step down for front factory amplifier (LD-GMOS100RPAD)

TABLE OF CONTENTS

| | |
|--------------------------------------|-------|
| Connections..... | 6-8 |
| Installation | 9 |
| Programming..... | 9 |
| APP instructions..... | 10-11 |
| Bluetooth configuration options..... | 12-13 |
| Configuration menu | 14-16 |
| Tech notes | 17 |

TOOLS REQUIRED

- Crimping tool and connectors, or solder gun, solder, and heat shrink
- Tape • Wire cutter • Zip ties

CONNECTIONS

For models without a Sony or B&O amplifier:

From the 16-pin harness with stripped leads to the aftermarket radio, connect as indicated:

- **Red** wire to the accessory wire.
- **Blue/White** wire to the amp turn on wire' (if equipped with a factory subwoofer)
- **Orange/White** wire to the illumination wire. (if applicable)
- **Gray** wire to the right front (+) speaker output.
- **Gray/Black** wire to the right front (-) speaker output.
- **White** wire to the left front (+) speaker output.
- **White/Black** wire to the left front (-) speaker output.

The following (3) wires are only for multimedia/navigation radios that require these wires.

- **Blue/Pink** wire to the VSS/speed sense wire.
- **Green/Purple** wire to the reverse wire.
- **Light Green** wire to the parking brake wire.

Tape off and disregard the following (5) wires, they will not be used in this application:

Brown, Green, Green/Black, Purple, Purple/Black

For models with a Sony amplifier:

From the 16-pin harness with stripped leads to the aftermarket radio, connect as indicated:

- **Red** wire to the accessory wire.
- **Blue/White** wire to the amp turn on wire.
Note: This wire must be connected to hear sound from the factory amplifier.
- **Orange/White** wire to the illumination wire. (if applicable)
- **Gray** wire to the right front (+) speaker output.
- **Gray/Black** wire to the right front (-) speaker output.
- **White** wire to the left front (+) speaker output.
- **White/Black** wire to the left front (-) speaker output.
- **Green** wire to the left rear (+) speaker output.
- **Green/Black** wire to the left rear (-) speaker output.
- **Purple** wire to the right rear (+) speaker output.
- **Purple/Black** wire to the right rear (-) output.

Tape off and disregard the following (1) wire, it will not be used in this application: **Brown**

The following (3) wires are only for multimedia/navigation radios that require these wires.

- **Blue/Pink** wire to the VSS/speed sense wire.
- **Green/Purple** wire to the reverse wire.
- **Light Green** wire to the parking brake wire

Continued on the next page

CONNECTIONS (CONT.)

From the CAR SIDE HARNESS (LD-TSCREEN-FD3) to the aftermarket radio, connect as indicated:

- **Black** wire to the ground wire. Also connect black from the 54CAM harness.
- **Yellow** wire to the battery wire.
- **Green** wire to the left rear (+) speaker output.
- **Green/Black** wire to the left rear (-) speaker output.
- **Purple** wire to the right rear (+) speaker output.
- **Purple/Black** wire to the right rear (-) output.
- Tape off and disregard the following (1) wire, it will not be used in this application: **Blue**
- Disregard the **Red** and **White** RCA jacks labeled "FROM 3.5"
- Disregard the **Red** and **White** RCA jacks labeled "RSE/SYNC®/SAT", they will not be used in this application.

Continue to 3.5mm jack - steering wheel control retention

3.5mm jack - steering wheel control retention:

From the 3.5mm jack to the aftermarket radio:

- **Parrot:** Connect the **AX-SWC-PARROT (sold separately)** to the **3.5mm jack**, then to the radio.
- **For the radios listed below:** Connect the **3.5mm adapter** to the 3.5mm jack.
 - **Eclipse:** Brown - Brown/White / Brown/White - Brown
 - **Kenwood / JVC (with SWC wire):** Blue/Yellow - Brown
 - **Metra OE:** Key 1 (Gray) - Brown
 - **Universal "2 or 3 wire" radio:** Key-A or SWC-1 - Brown / Key-B or SWC-2 - Brown/White
Note: After programming, assign SWC buttons within menu.
 - **XITE:** SWC-2 - Brown
- **For all other radios:** Connect the 3.5mm jack to the radio.

USB retention harness:

- Unsnap the factory USB and 3.5mm jack panel from the pocket area.
- USB retention harness sold separately. AX-FDUSBAUX for 2015-2019, AXFD-USB3 for 2011-2014.
- Unplug both harnesses going to the USB and 3.5
- Plug in the retention harness to the factory USB panel
- Snap in the factory USB panel and run the USB through to the aftermarket radio.

LD-EXPL-DZ

Connect the small 10-pin to the kit's Rear HVAC panel and the Gray 6-pin (years 11-15) or Black 6-pin (16-19) to the vehicle harness. The 14 pin will be connected to the touch screen next in the installation section.

OE Backup Camera Retention:

- Connect one side of the supplied camera retention harness to the 54 pin connector in the vehicle. This connector was removed from the factory 8" screen.
- Connect the two pin plug to the (LD-EXPL-DZ)
- Connect the **Yellow** RCA jack to the backup camera input from the aftermarket radio.
- Connect the **Black** wire with other ground wires.

For models with a Sony amplifier:

From the 16-pin harness with stripped leads to the aftermarket radio, connect as indicated:

- **Red** wire to the accessory wire.
- **Blue/White** wire to the amp turn on wire.
Note: This wire must be connected to hear sound from the factory amplifier.
- **Orange/White** wire to the illumination wire. (if applicable)
- **Gray** wire to the right front (+) speaker output.
- **Gray/Black** wire to the right front (-) speaker output.
- **White** wire to the left front (+) speaker output.
- **White/Black** wire to the left front (-) speaker output.
- **Green** wire to the left rear (+) speaker output.
- **Green/Black** wire to the left rear (-) speaker output.
- **Purple** wire to the right rear (+) speaker output.
- **Purple/Black** wire to the right rear (-) output.

Tape off and disregard the following (1) wire, it will not be used in this application: **Brown**

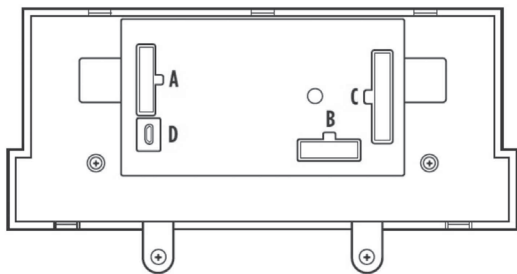
The following (3) wires are only for multimedia/navigation radios that require these wires.

- **Blue/Pink** wire to the VSS/speed sense wire.
- **Green/Purple** wire to the reverse wire.
- **Light Green** wire to the parking brake wire

INSTALLATION

Climate control panel

1. Connect the radio wiring and place the radio assembly into the dash.
2. Route the passenger airbag light plug under the radio and connect to the radio trim panel.
3. Connect the **16-pin harness** with stripped leads into **Port A**.
4. Connect the **14-pin harness** with stripped lead, 6 pin and 2 pin into **Port B**.
5. **Port D** is a Micro-B USB input for updating the interface.
6. Connect the Airbag adaptor harness to the **6-pin harness** and then connect the **4-pin flat connector** to the airbag.
7. Connect the flat **6-pin harness** to the vehicle disregarding the **Gray 6-pin** and **Black 2-pin harness**.



PROGRAMMING

1. Connect the **car side harness** into **Port C**, and then to the wiring harnesses in the vehicle.
Note: This is a timed process.
Cycle ignition on.
Note: The right knob should show DZ (or a 2). If not, select that option using the steps below.
2. Turning the **left knob** will guide you through the options on “kit”
3. Turn **right knob** to change setting for that option.
4. Turn **left knob** to cycle through your options until you find the “done” option.
5. Press the “Dual” button exit (“Dual button will act as an Enter button”)

Synchronizing hazards

Hazards must be programmed to match the pulse pattern of the factory lights, proceed:

1. With the ignition on, hold the **Hazard button** for (5) seconds until the pattern matches the factory ones.
2. Once the pattern is matched, let go of the **Hazard button**.
3. Test all functions of the installation for proper operation, before reassembling the dash.

FINAL ASSEMBLY

1. Using the factory screws, secure the radio in the dash, then attach the **radio trim panel** provided with this kit.
2. Reassemble the dash in the reverse order of disassembly to complete the installation.

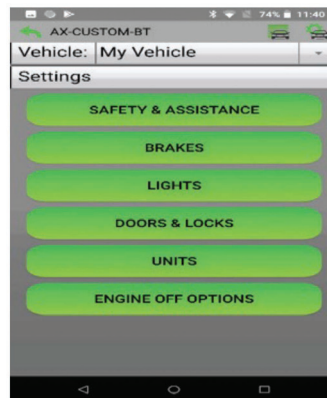
APP INSTRUCTIONS

Download and install the AX-CUSTOM-BT app from the Android/Apple mobile devices app store.

QR Codes for downloading of APP



Vehicle Settings Screen



(Figure A)

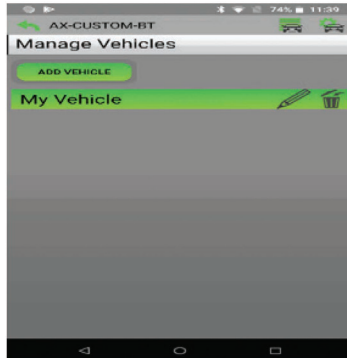
1. Start the vehicle.
2. Open the app wait for the **Customization Settings** menu to appear.
(If **Not Connected**) appears instead, press the right button in the top right corner of the screen, then press the left button in the top right corner of the screen to go back to **Customization Settings**. The pairing process will begin at this point.
3. Once paired, **Settings** will be displayed on the screen. From this point on you can make changes to the vehicle as desired, as long as the vehicle is on. (Figure A)

Note: Screenshot shown for illustration only.
Actual options available vary per vehicle and trim level.

Continued on the next page

APP INSTRUCTIONS (CONT.)

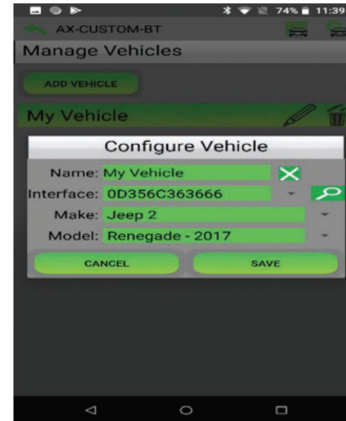
Manage Vehicles Screen



(Figure B)

1. Select **Manage Vehicles** by pressing the button in the top right of the screen. (Figure B)
2. Pressing either the Add Vehicle or Edit (pencil icon) button will open the **Configure Vehicle** menu. (Figure C)

Configure Vehicle Screen



(Figure C)

- The name of the vehicle can be changed by pressing the text field.
- The app can automatically detect the interface installed in the vehicle by pressing the **Search** button (magnifying glass).
- The **Make and Model** fields will open a drop down list for the user to select the make and model of the vehicle that the interface is installed in.
- Press the Save button to store the changes.

BLUETOOTH CONFIGURATION OPTIONS

Available Options

| Unit Settings | (Number of Zones) | Customization | Radio (type) | |
|-------------------|-------------------|--------------------|---|----------------------------|
| (Backlight Color) | • Single Zone | (Ambient Lighting) | 1 Eclipse (Type 1) | 12 Eclipse (Type 2) |
| • Off | • Dual Zone | • Off | 2 Kenwood 2 | 13 LG |
| • Red | | • Ice Blue | 3 Clarion (Type 1) | 14 Parrot 4 |
| • Orange | | • Orange | 4 Boss (type 1)/Dual/Sony 1 (Boss) | 15 XITE |
| • Yellow | | • Light Blue | 5 JVC | 16 Philips |
| • Lime Green | | • Red | 6 Pioneer/Jensen | 17 Kicker |
| • Green | | • Green | 7 Alpine 3 | 18 JBL |
| • Cyan | | • Blue | 8 Boss (type 4)/Visteon 1 (Boss) | 19 Insane Audio |
| • Blue | | • Purple | 9 Valor | 20 Magnadyne |
| • Purple | | | 10 Clarion (Type 2) | 21 Boss (type 3) |
| • Magenta | | | 11 Boss (Type 2) | 22 Axxera |

Continued on the next page

BLUETOOTH CONFIGURATION OPTIONS *(CONT.)*

SWC button remap

Note: Not all options are available, please refer to aftermarket's radio owner's manual for available commands from radio

- SEEK UP button remap
- SEEK DOWN button remap
- MODE/SOURCE button remap
- MUTE button remap
- PRESET UP button remap
- PRESET DOWN button remap
- POWER button remap
- BAND button remap
- PLAY/ENTER button remap
- PTT button remap
- ON HOOK button remap
- OFF HOOK button remap

SWC button dual press

Note: Not all options are available, please refer to vehicle's owners' manual for buttons that came equipped from vehicle

- SEEK UP button dual press
- SEEK DOWN button dual press
- MODE/SOURCE button dual press
- MUTE button dual press
- PRESET UP button dual press
- PRESET DOWN button dual press
- POWER button dual press
- BAND button dual press
- PLAY/ENTER button dual press
- PTT button dual press
- ON HOOK button dual press
- OFF HOOK button dual press

Continued on the next page

CONFIGURATION MENU

The buttons on the steering wheel will be used to enter, navigate, and make changes to the Configuration Menu in the kit. The display on the climate knobs will be used to view the menu.

1. With the driver's door open, press and hold the **OK** button (right side), then cycle the key on.
2. Press the **Seek Up** and **Seek Down** buttons to toggle through the menu options available.
Refer to the **Menu Options** table for a list of options, and description of each option.
3. Navigate to "d o", then press the **OK** button to exit the Configuration Menu.
4. If no activity after 10-seconds the Configuration Menu will close.

Menu Options

| Left Knob Display | Right Knob Display | Description |
|-------------------|----------------------------|--------------------------|
| A.L | Will display current state | Ambient Lighting |
| A.G | | OEM Amplifier Gain |
| A.S. | | Auto Stop/Start Override |
| r.d | | Radio Detection |
| b.L. | | Backlight |
| U O | | Version Number of Kit |
| d o | n E | Done/Quit |

Sub-Menu Options

Ambient Lighting

| Left Knob Display | Right Knob Display | Ambient lighting Color |
|-------------------|--------------------|------------------------|
| A.L | lb | Ice Blue |
| A.L | Or | Orange |
| A.L | Sb | Soft Blue |
| A.L | rd | Red |
| A.L | Gr | Green |
| A.L | bL | Blue |
| A.L | PU | Purple |

OEM Amplifier Gain

| Left Knob Display | Right Knob Display |
|-------------------|--------------------|
| A.G | 0 to 30 |

Auto Stop/Start Override

| Left Knob Display | Right Knob Display | |
|-------------------|--------------------|-------------------------|
| A.S | 0.0 | Disabled (no over-ride) |
| A.S | 0.1 | Enabled |

CONFIGURATION MENU (CONT.)

Steering Wheel Controls

- Press the **OK** button on the steering wheel to start the auto detection process.
1. If the steering wheel controls don't work properly it is possible to change the radio type.
 2. Get to the **radio type** sub menu. Rotate the right climate knob until the correct radio type is displayed on the knob display. Press the **MAX AC** button to set the new radio type.
 3. If the **AXSWC interface** flashes Red (7) times, and an **Alpine** radio is not installed, that means there is an open connection not accounted for. Verify that the 3.5mm jack is connected to the correct steering wheel jack/wire in the radio.
 4. The **AXSWCH-PAR** (sold separately) is required. Also, the software in the radio must be rev. 2.1.4 or higher.
 5. If a **Clarion** or **Eclipse** radio is installed and the steering wheel controls do not function, change the radio to **Clarion (type 2)** or **Eclipse (type 2)** respectively. If the steering wheel controls still do function, refer to the **Changing Radio Type** document available at axessinterfaces.com.
 6. If a **Kenwood** radio is installed and the L.E.D. feedback flashes (5) times instead of (2), manually change the radio type to **Kenwood**. To do this, refer to the **Changing Radio Type** document available at axessinterfaces.com.

Radio Detection

| Left Knob Display | Right Knob Display | Radio Manufacturer | Keynotes |
|-------------------|--------------------|-------------------------|----------|
| r.d | 1 | Eclipse (Type 1) | 1 |
| r.d | 2 | Kenwood | 2 |
| r.d | 3 | Clarion (Type 1) | 1 |
| r.d | 4 | Boss (type 1)/Dual/Sony | 1 (Boss) |
| r.d | 5 | JVC | |
| r.d | 6 | Pioneer/Jensen | |
| r.d | 7 | Alpine | 3 |
| r.d | 8 | Boss (type 4)/Visteon | 1 (Boss) |
| r.d | 9 | Valor | |
| r.d | 10 | Clarion (Type 2) | 1 |
| r.d | 11 | Boss (Type 2) | |
| r.d | 12 | Eclipse (Type 2) | 1 |
| r.d | 13 | LG | |
| r.d | 14 | Parrot | 4 |
| r.d | 15 | XITE | |
| r.d | 16 | Philips | |
| r.d | 17 | Kicker | |
| r.d | 18 | JBL | |
| r.d | 19 | Insane Audio | |
| r.d | 20 | Magnadyne | |
| r.d | 21 | Boss (type 3) | |
| r.d | 22 | Axxera | |

CONFIGURATION MENU (CONT.)

Sub-Menu Options (cont.)

Backlight

| Left Knob Display | Right Knob Display | Backlight Color |
|-------------------|--------------------|-----------------|
| b.L | -- | No backlight |
| b.L | rD | Red |
| b.L | Or | Orange |
| b.L | YE | Yellow |
| b.L | LG | Lime Green |
| b.L | Gr | Green |
| b.L | CY | Cyan |
| b.L | BL | Blue |
| b.L | Pu | Purple |
| b.L | HP | Hot Pink |

Version Number of Kit

| Left Knob Display | Right Knob Display |
|-------------------|-------------------------------------|
| U0 | Will display current version of kit |

Done/Quit

- Press the **Mode/OK** button on the steering wheel to exit the Configuration Menu.

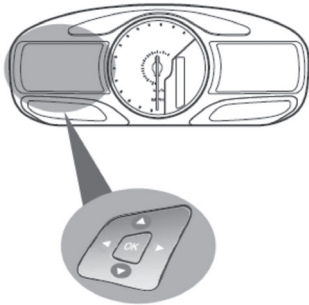
| Left Knob Display | Right Knob Display |
|-------------------|--------------------|
| d o | n E |

Resetting the interface

- Hold the “AUTO” & “DUAL” inner button on the left and right “LCD” knobs for 15 seconds.
- The LCDs will go blank and reset causing the interface to redetect the vehicle

Changing the temp from Fahrenheit to Celsius (factory controls not effected by the Metra AXXESS product)

- The temperature can be changed from the instrument cluster of the vehicle by following the steps listed below. From the vehicle’s **Message Center** (if equipped, will be displaying on the left hand side of the instrument cluster) Using the left steering wheel controls to navigate through the message center, scroll down to the “**Settings**”, press “**Ok**”. There you will see “**Units**”, press “**Ok**”, then you will have the option to select Fahrenheit (°F) or Celsius (°C). Pressing the “**Ok**” button will select the temperature that is being displayed from vehicle on kit.



Scroll Up/Down to highlight one of the categories, then press the right arrow key or OK to enter into that category.

Main menu

From the main menu screen you can choose from the following categories:

- Display Mode
- Trip 1 & 2
- Fuel Economy
- ***Settings**
- Information

Under vehicle Settings

Units: Temperature

- Fahrenheit (°F)
- Celsius (°C)



99-5862CH
INSTALLATION INSTRUCTIONS



Having difficulties? We're here to help.



Contact our Tech Support line at:
386-257-1187



Or via email at:
techsupport@metra-autosound.com

Tech Support Hours (Eastern Standard Time)

Monday - Friday: 9:00 AM - 7:00 PM

Saturday: 10:00 AM - 5:00 PM

Sunday: 10:00 AM - 4:00 PM



**Metra recommends MECP
certified technicians**