



Mitsubishi Lancer 2008-2017

Visit MetraOnline.com for more detailed information about the product and up-to-date vehicle specific applications

KIT FEATURES

- DIN radio provision with pocket
- ISO mount radio provision with pocket
- Double DIN radio provision
- Stacked ISO mount units provision
- Painted to match factory

KIT COMPONENTS

- A) Radio housing • B) ISO brackets • C) ISO trim plate • D) Double DIN trim plate • E) Snap in pocket • F) Double DIN brackets

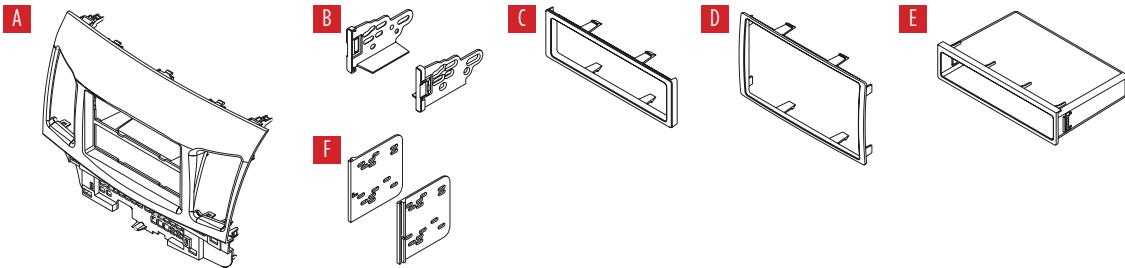


TABLE OF CONTENTS

Dash Disassembly	2
Kit Preparation	3
Kit Assembly	
-DIN mount radio provision with pocket.....	4
-ISO mount radio provision with pocket	5
-DDIN/stacked ISO mount radio provision.....	6

WIRING & ANTENNA CONNECTIONS (sold separately)

Wiring Harness: Visit metraonline.com for audio/video and steering wheel control interface options.
Antenna Adapter: Not required

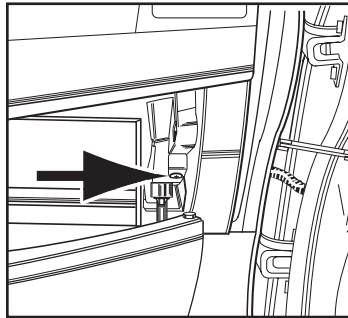
TOOLS REQUIRED

- Panel removal tool • Phillips screwdriver
- Cutting tool

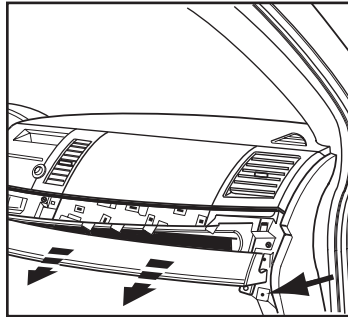
Attention! With the key out of the ignition, disconnect the negative battery terminal before installing this product. Ensure that all installation connections are secure before cycling the ignition to test this product.

DASH DISASSEMBLY

1. Open the glove box and remove (1) Phillips screw from the panel to the right of the glove box door. Unclip and remove the panel. (Figure A)
2. Remove (1) Phillips screw from the panel above the glove box then unclip and remove the panel. (Figure B)
3. Unclip the radio switch panel including the hazard switch assembly. Unplug hazard switch assembly and remove panel. (Figure C)
4. Remove (4) Phillips screws securing the radio chassis. Unplug and remove chassis.
5. Remove (3) Phillips screws securing the hazard switch assembly to the factory radio switch panel. Unclip and remove the switch. (Figure D)



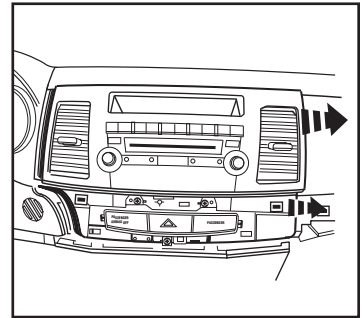
(Figure A)



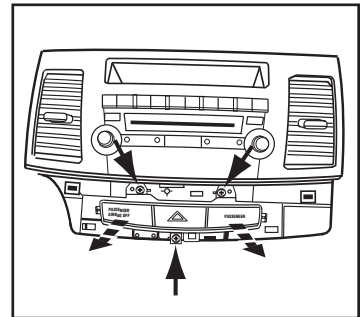
(Figure B)

6. Unclip assembly, unplug ribbon cable from assembly and remove assembly from the factory radio panel. Retain screws and hazard switch assembly for re-use during kit preparation.
7. Unclip and remove the a/c vents from the factory radio switch panel. (Retain a/c vents for re-use during kit preparation)
8. Remove and retain (7) factory clips from rear of radio housing for re-use during kit preparation.

Continue to Kit Preparation



(Figure C)

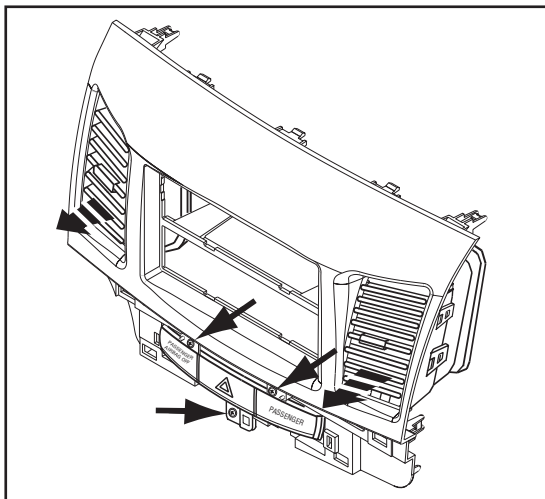


(Figure D)

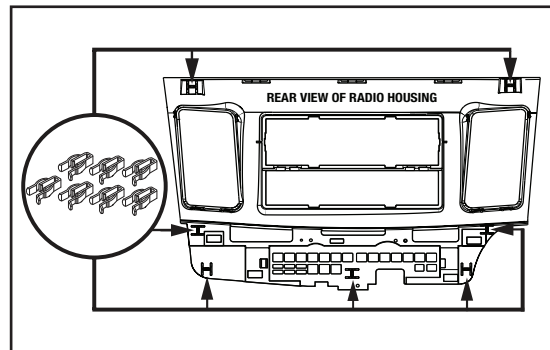
KIT PREPARATION

1. Secure the hazard switch assembly into the **radio housing** using the factory hardware.
2. Snap the a/c vents into the **radio housing**. (Figure A)
3. Use the (7) plastic factory clips previously removed during dash disassembly and attach where shown. (Figure B)

Continue to Kit Assembly



(Figure A)

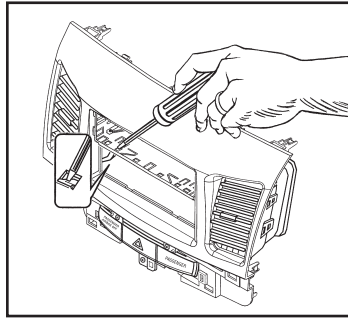


(Figure B)

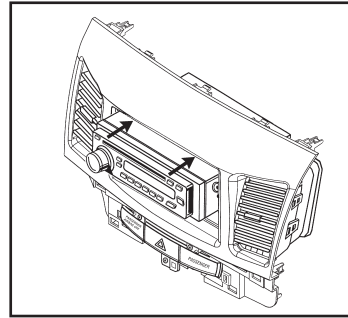
KIT ASSEMBLY

DIN mount radio provision with pocket

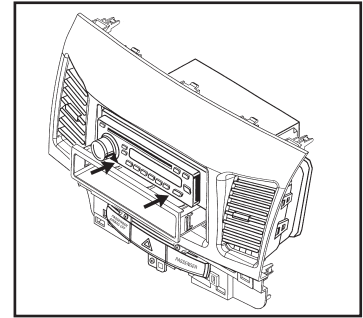
1. Slide the DIN cage into the **radio housing** and secure by bending the metal locking tabs outward. (Figure A)
2. Slide the aftermarket radio into the cage until it snaps into place. (Figure B)
3. Snap the **pocket** into the **radio housing**. (Figure C)
4. Locate the factory wiring harness and antenna connector in the dash, and complete all necessary connections to the radio. Metra recommends using the proper mating adapter from Metra and/or AXXESS. Re-connect the negative battery terminal and test the radio for proper operation.
5. Reassemble dash in reverse order of disassembly.



(Figure A)



(Figure B)

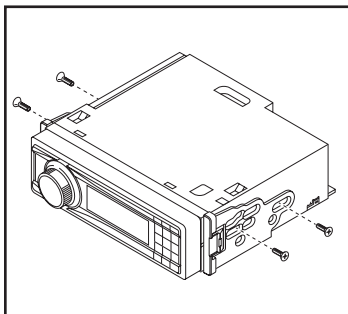


(Figure C)

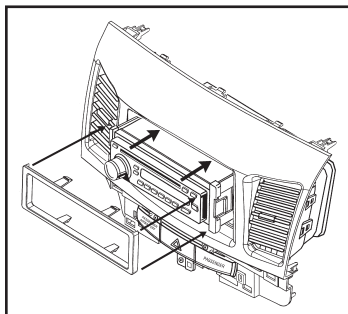
KIT ASSEMBLY

ISO DIN mount radio provision with pocket

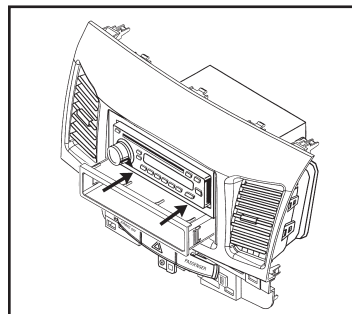
1. Mount the **ISO brackets** to the aftermarket radio using the screws supplied with the radio. (Figure A)
2. Slide the radio into the **radio housing** until it snaps into place. (Figure B)
3. Snap the **trim plate** onto the front of the **radio housing**. (Figure B)
4. Snap the **pocket** into the **radio housing**. (Figure C)
5. Locate the factory wiring harness and antenna connector in the dash, and complete all necessary connections to the radio. Metra recommends using the proper mating adapter from Metra and/or AXXESS. Re-connect the negative battery terminal and test the radio for proper operation.
6. Reassemble dash in reverse order of disassembly.



(Figure A)



(Figure B)

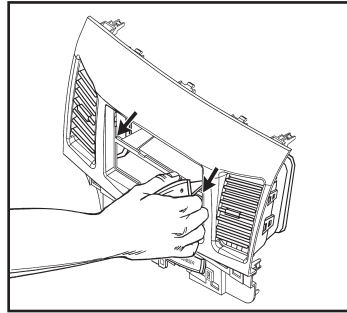


(Figure C)

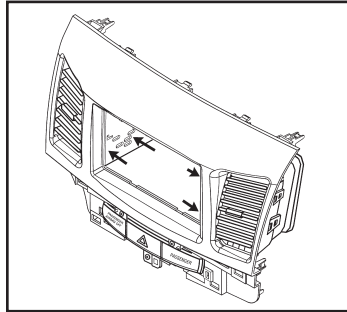
KIT ASSEMBLY

DDIN/stacked ISO mount radio provision

1. Cut and remove the center bar from the **radio housing**. (Figure A)
2. Snap the **DDIN brackets** to the inside edge of the **DDIN trim plate**. (Figure B)
3. Slide the DDIN radio or stacked ISO head units into the bracket/radio housing assembly and secure the radio/head units to the assembly using the screws supplied with the radio. (Figure C)
4. Snap the **DDIN trim plate** into the **radio housing**. (Figure C)

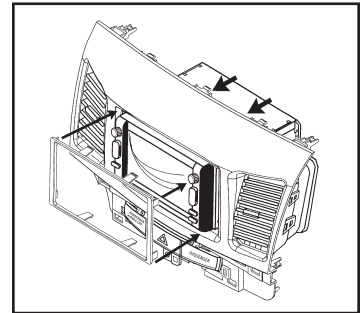


(Figure A)



(Figure B)

5. Locate the factory wiring harness and antenna connector in the dash, and complete all necessary connections to the radio. Metra recommends using the proper mating adapter from Metra and/or AXCESS. Re-connect the negative battery terminal and test the radio for proper operation.
6. Reassemble dash in reverse order of disassembly.



(Figure C)



Lined writing area with two columns of horizontal lines.



99-7011
INSTALLATION INSTRUCTIONS



Having difficulties? We're here to help.



Contact our Tech Support line at:

386-257-1187



Or via email at:

techsupport@metra-autosound.com

Tech Support Hours (Eastern Standard Time)

Monday - Friday: 9:00 AM - 7:00 PM

Saturday: 10:00 AM - 7:00 PM

Sunday: 10:00 AM - 4:00 PM



KNOWLEDGE IS POWER

Enhance your installation and fabrication skills by enrolling in the most recognized and respected mobile electronics school in our industry. Log onto www.installerinstitute.edu or call 386-672-5771 for more information and take steps toward a better tomorrow.



Metra recommends MECP certified technicians