



## Kia Forte 2019-up

Visit [MetraOnline.com](http://MetraOnline.com) for more detailed information about the product and up-to-date vehicle specific applications

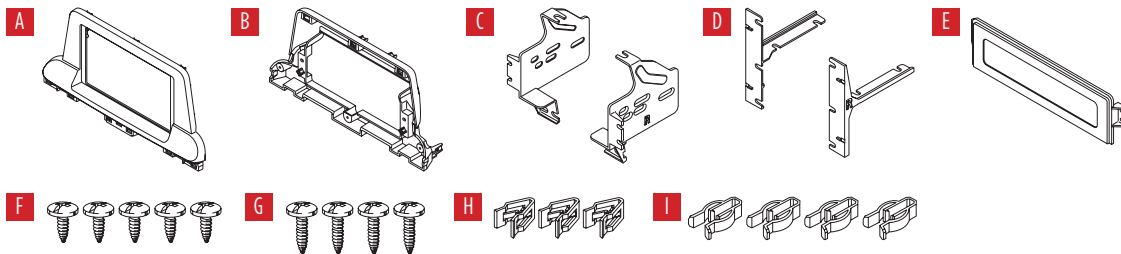
### KIT FEATURES

- ISO DIN radio provision
- Pioneer modular DDIN radio provision †
- ISO DDIN radio provision †
- Painted matte black

† This kit can only be used with an ISO DDIN radio with an “L” shaped chassis design, with the radio chassis at the bottom of the screen. As of this writing, only the Alpine INE-W967HD (discontinued, replaced by INE-W977HD), iLX-107, and iLX-207 have this design. Also, The Pioneer modular radios, DMH-C250NEX and DMH-C2500NEX, can be used with the included adapter brackets

### KIT COMPONENTS

- A) Radio housing (front)
- B) Radio housing (rear)
- C) Radio brackets
- D) Pioneer adapter brackets
- E) Blank panel
- F) #4 x 3/8” Phillips screws (5)
- G) #8 x 1/2” Phillips screws (4)
- H) Panel clips (3)
- I) Panel clips (4)



### TABLE OF CONTENTS

Dash Disassembly .....	2
Kit Assembly .....	3
- ISO DIN radio provision .....	3
- ISO DDIN radio provision .....	4
- Pioneer modular DDIN radio provision .....	5

### WIRING & ANTENNA CONNECTIONS (sold separately)

Wire harness: • 70-7306

Antenna adapter: • 40-K111

Steering wheel control interface: • ASWC-1

12v-to-6v camera step-down: • AX-CAM6V

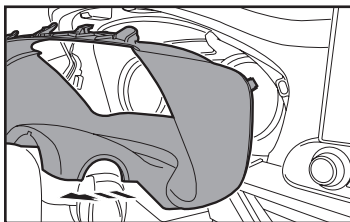
### TOOLS REQUIRED

- Panel removal tool
- Phillips screwdriver

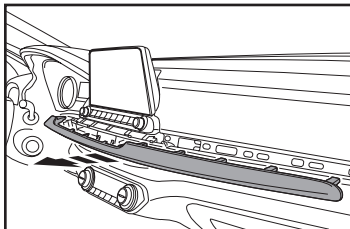
**Attention!** With the key out of the ignition, disconnect the negative battery terminal before installing this product. Ensure that all installation connections are secure before cycling the ignition to test this product.

## DASH DISASSEMBLY

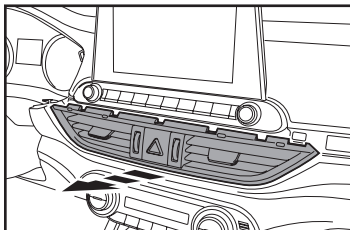
1. Unclip the instrument panel trim and move aside just enough to clear the silver panel below the radio. (Figure A)
2. Starting from the left, unclip and remove the silver trim panel below the radio. (Figure B)
3. Unclip, unplug, and remove the center a/c vent and hazard assembly. (Figure C)



(Figure A)



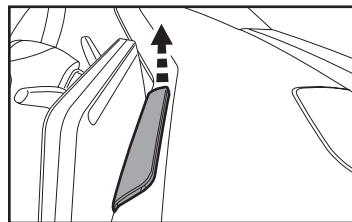
(Figure B)



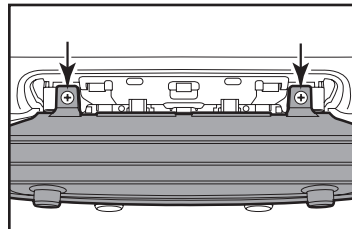
(Figure C)

4. Unclip and remove the trim panel behind the radio by pulling straight up. There are (5) clips securing this panel to the dash. (Figure D)
5. Remove (4) Phillips screws securing the radio, two up top, and two down below. Unclip and slide the radio out, then unplug and remove the radio. Remove the (4) panel clips for reuse in Kit Assembly. (Figures E and F)

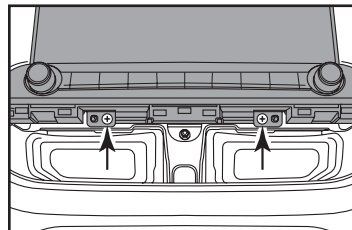
*Continue to Kit Assembly*



(Figure D)



(Figure E)

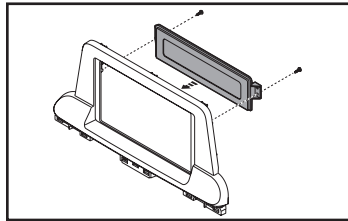


(Figure F)

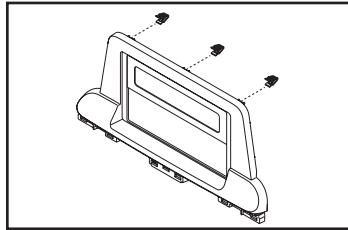
# KIT ASSEMBLY

## ISO DIN radio provision

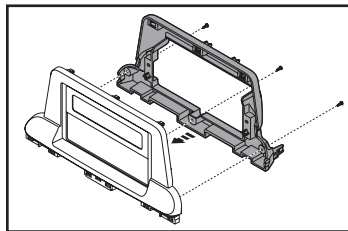
1. Secure the **blank panel** to the **radio housing (front)** using (2) #4 x 3/8" Phillips screws provided. (Figure A)
2. Attach (3) **panel clips** provided onto the radio housing (front). (Figure B)
3. Snap the **radio housing (front)** to the **radio housing (rear)**, then secure using (3) #4 x 3/8" Phillips screws provided (Figure C)
4. Secure the **radio brackets** to the radio housing assembly using (4) #8 x 1/2" Phillips screws provided. (Figure D)
5. Attach the (4) factory panel clips to the radio housing assembly.  
**Note:** (4) **Panel clips** have been provided only if the factory clips are missing or damaged.



(Figure A)

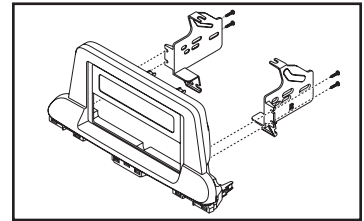


(Figure B)

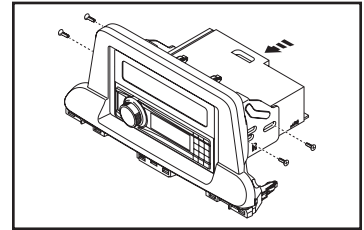


(Figure C)

6. Remove the metal DIN sleeve and trim ring from the aftermarket radio.
7. Slide the radio into the radio housing assembly through the back, then secure using screws supplied with the radio. (Figure E)
8. Locate the factory wiring harness and antenna connector in the dash and complete all necessary connections to the radio. Metra recommends using the proper mating adapter from Metra and/or Axxess. Test the radio for proper operation.
9. Secure the radio assembly to the dash using the factory screws.
10. Reassemble the dash in reverse order of disassembly to complete the installation.



(Figure D)

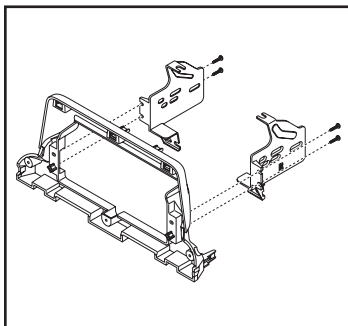


(Figure E)

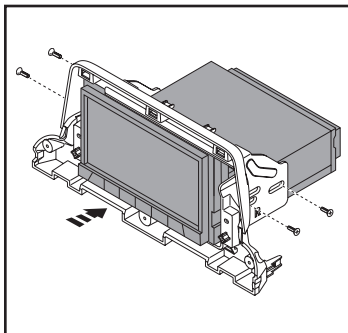
## KIT ASSEMBLY

### DDIN radio provision

1. Secure the **radio brackets** to the **radio housing (rear)** using (4) #8 x 1/2" Phillips screws provided. (Figure A)
2. Slide the radio into the bracket/housing assembly through the front, then secure it using screws supplied with the radio. (Figure B)
3. Attach (3) **panel clips** provided onto the radio housing (front). (Figure C)
4. Snap the **radio housing (front)** to the **radio housing (rear)**, then secure using (3) #4 x 3/8" Phillips screws provided (Figure D)

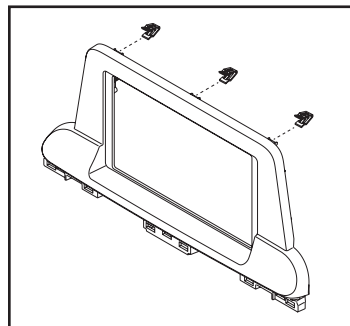


(Figure A)

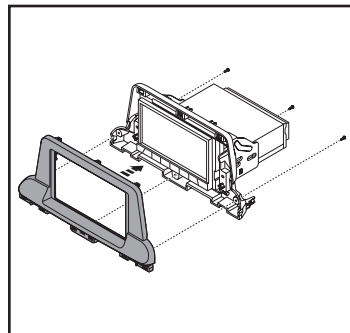


(Figure B)

5. Attach the (4) factory panel clips to the radio housing assembly.  
**Note:** (4) **Panel clips** have been provided only if the factory clips are missing or damaged.
6. Locate the factory wiring harness and antenna connector in the dash and complete all necessary connections to the radio. Metra recommends using the proper mating adapter from Metra and/or Axxess. Test the radio for proper operation.
7. Secure the radio assembly to the dash using the factory screws.
8. Reassemble the dash in reverse order of disassembly to complete the installation.



(Figure C)



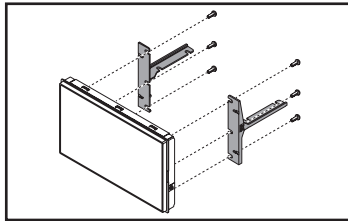
(Figure D)

# KIT ASSEMBLY

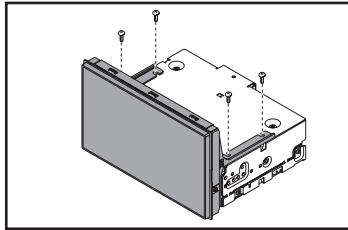
## Pioneer Modular DDIN radio provision

**Note:** For steps 1 and 2, reference the installation manual provided with the radio for which hardware to use. The display screen and radio chassis use two different types of screws.

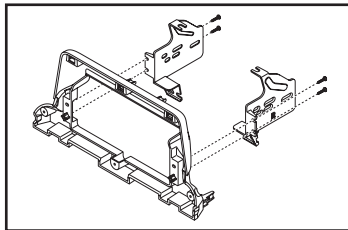
1. Secure the radio display to the **Pioneer adapter brackets** using (6) screws supplied with the radio. (Figure A)
2. Secure the **Pioneer adapter brackets** to the radio chassis using (4) screws supplied with the radio. (Figure B)
3. Secure the **radio brackets** to the **radio housing (rear)** using (4) #8 x 1/2" Phillips screws provided. (Figure C)
4. Slide the radio/display assembly into the bracket/housing assembly through the front, then secure using screws supplied with the radio. (Figure D)
5. Attach (3) **panel clips** provided onto the radio housing (front). (Figure E)



(Figure A)

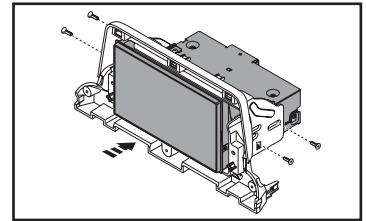


(Figure B)

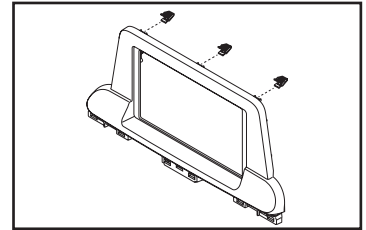


(Figure C)

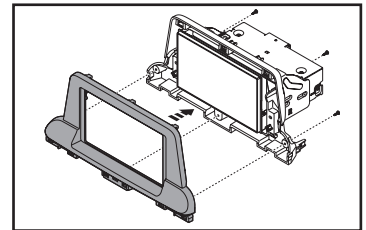
6. Snap the **radio housing (front)** to the **radio housing (rear)**, then secure using (3) #4 x 3/8" Phillips screws provided (Figure F)
7. Attach the (4) factory panel clips to the radio housing assembly.  
**Note:** (4) **Panel clips** have been provided only if the factory clips are missing or damaged.
8. Locate the factory wiring harness and antenna connector in the dash and complete all necessary connections to the radio. Metra recommends using the proper mating adapter from Metra and/or Axxess. Test the radio for proper operation.
9. Secure the radio assembly to the dash using the factory screws.
10. Reassemble the dash in reverse order of disassembly to complete the installation.



(Figure D)



(Figure E)



(Figure F)







**99-7394B**  
INSTALLATION INSTRUCTIONS



Having difficulties? We're here to help.



Contact our Tech Support line at:

**386-257-1187**



Or via email at:

[techsupport@metra-autosound.com](mailto:techsupport@metra-autosound.com)

**Tech Support Hours (Eastern Standard Time)**

Monday - Friday: 9:00 AM - 7:00 PM

Saturday: 10:00 AM - 7:00 PM

Sunday: 10:00 AM - 4:00 PM



**KNOWLEDGE IS POWER**

Enhance your installation and fabrication skills by enrolling in the most recognized and respected mobile electronics school in our industry. Log onto [www.installerinstitute.edu](http://www.installerinstitute.edu) or call 386-672-5771 for more information and take steps toward a better tomorrow.



**Metra recommends MECP certified technicians**