



## Hyundai Santa Fe 2019-2020

Visit [MetraOnline.com](http://MetraOnline.com) for more detailed information about the product and up-to-date vehicle specific applications

### KIT FEATURES

- ISO DDIN radio provision †
- Pioneer modular DDIN radio provision ‡
- Painted scratch-resistant matte black with a bright silver trim to match the factory appearance

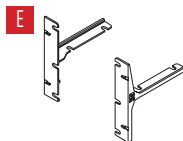
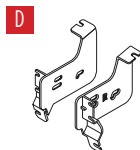
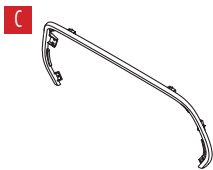
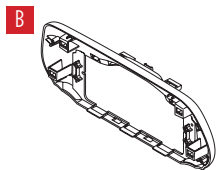
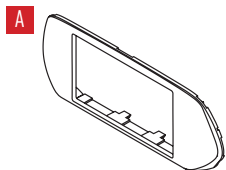


† Kit designed for “L” shaped aftermarket radio, with chassis at bottom

‡ Pioneer radios DMH-C2550NEX and DMH-C2500NEX

### KIT COMPONENTS

- A) Radio housing face-plate • B) Radio housing back-plate • C) Radio housing trim • D) Radio brackets • E) Pioneer adapter brackets
- F) Phillips pan-head screws (6) • G) Phillips truss-head screws (4) • H) Panel clips (4)



### TABLE OF CONTENTS

Dash Disassembly .....	2
Kit Preparation .....	3
Kit Assembly	
–ISO DDIN radio provision.....	4
–Pioneer modular DDIN radio provision .....	5

### WIRING & ANTENNA CONNECTIONS (sold separately)

Wire harness: • 70-7306 • AX-HYKIA3-SWC & AX-HYKIA-SPDIF †  
Antenna adapter: • 40-K111

† Amplified models

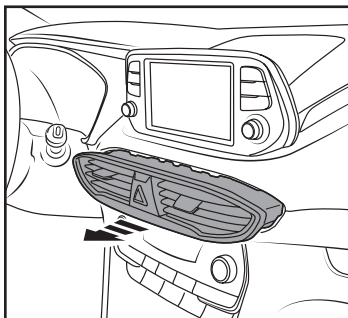
### TOOLS REQUIRED

- Panel removal tool • Phillips screwdriver

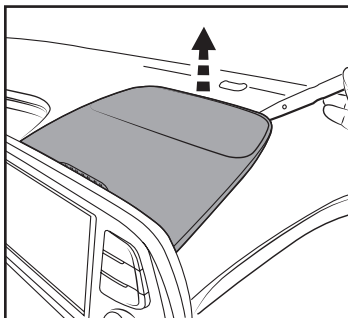
**Attention!** With the key out of the ignition, disconnect the negative battery terminal before installing this product. Ensure that all installation connections are secure before cycling the ignition to test this product.

## DASH DISASSEMBLY

1. Unclip, unplug, and remove the a/c vent & hazard switch assembly. (Figure A)
2. Unclip and remove the trim panel on the top of the dash. (Figure B)



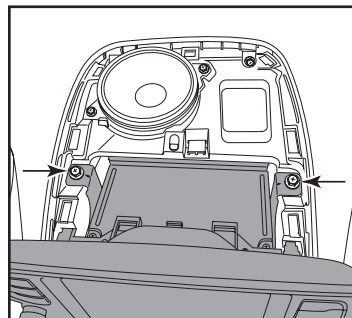
(Figure A)



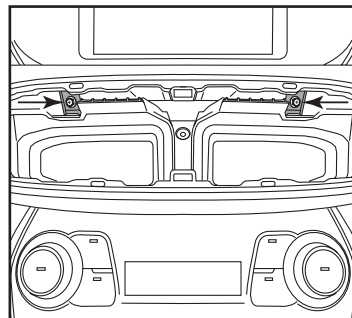
(Figure B)

3. Remove (4) Phillips screws securing the radio. Pull upwards and rearwards to slide the radio out, then unplug and remove. (Figures C, D)

*Continue to Kit Preparation*



(Figure C)

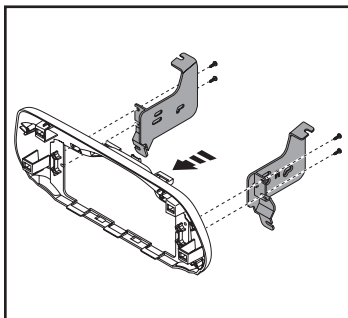


(Figure D)

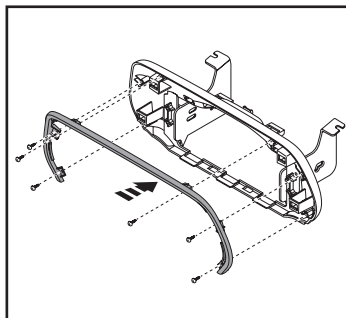
## KIT PREPARATION

1. Secure the **radio brackets** to the **radio housing back-plate** using (4) Phillips truss-head screws provided. (Figure A)
2. Secure the **radio housing trim** to the **radio housing back-plate** using (6) Phillips pan-head screws provided. (Figure B)
3. Attach (4) **panel clips** provided onto the **radio housing face-plate**. (Figure C)

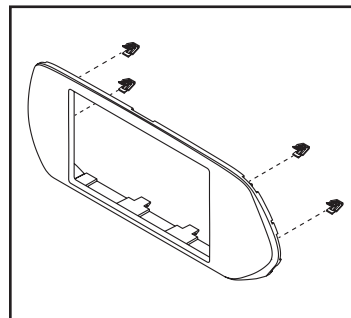
*Continue to Kit Assembly*



(Figure A)



(Figure B)

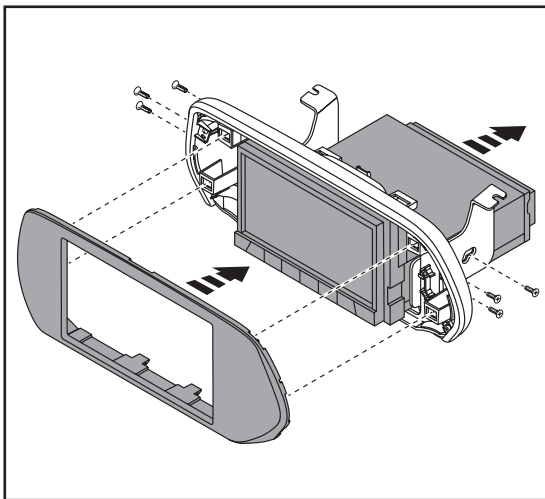


(Figure C)

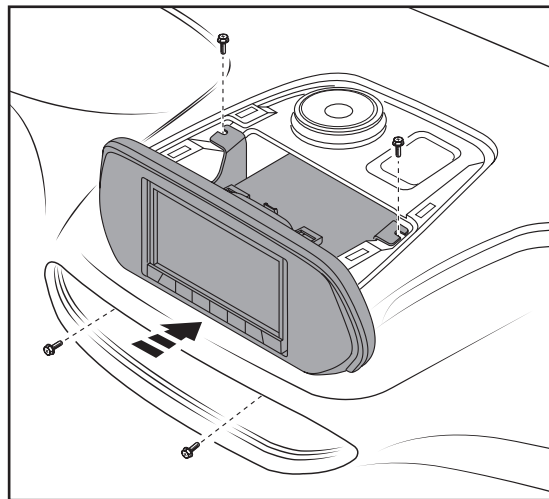
## KIT ASSEMBLY

### ISO DDIN radio provision

1. Slide the radio into the radio housing assembly, then clip the radio housing face-plate onto the front of the assembly. Adjust the radio to sit flush with the front of the radio housing, then secure using screws supplied with the radio. (Figure A)
2. Locate the factory wiring harness and antenna connector in the dash and complete all necessary connections to the radio. Metra recommends using the proper mating adapter from Metra and/or Axxess. Test the radio for proper operation.
3. Slide the radio into the dash, then secure using the factory screws. (Figure B)
4. Reassemble the dash in reverse order of disassembly to complete the installation.



(Figure A)



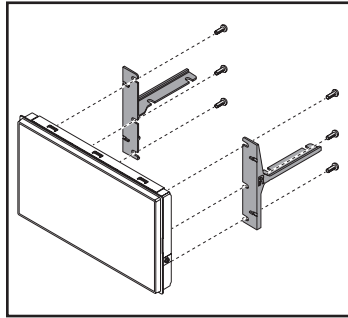
(Figure B)

## KIT ASSEMBLY

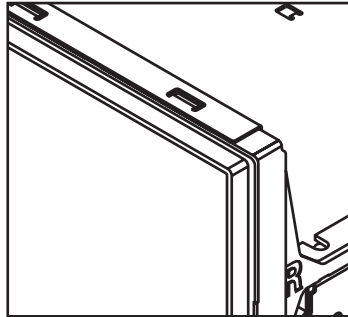
### Pioneer Modular DDIN radio provision

**Note:** For steps 1 and 2, reference the installation manual provided with the radio for which hardware to use. The display screen and radio chassis use two different types of screws.

1. Secure the radio display to the **Pioneer adapter brackets** using (6) screws supplied with the radio. (Figure A)
2. Secure the **Pioneer adapter brackets** to the radio chassis using (4) screws supplied with the radio. (Figure B)

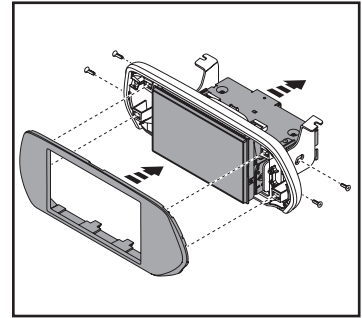


(Figure A)

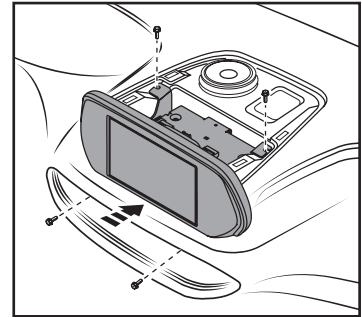


(Figure B)

3. Slide the radio into the radio housing assembly, then clip the radio housing face-plate onto the front of the assembly. Adjust the radio to sit flush with the front of the radio housing, then secure using screws supplied with the radio. (Figure C)
5. Locate the factory wiring harness and antenna connector in the dash and complete all necessary connections to the radio. Metra recommends using the proper mating adapter from Metra and/or Axxess. Test the radio for proper operation.
6. Slide the radio into the dash, then secure using the factory screws. (Figure D)
7. Reassemble the dash in reverse order of disassembly to complete the installation.



(Figure C)



(Figure D)







**99-7396**  
INSTALLATION INSTRUCTIONS



Having difficulties? We're here to help.



Contact our Tech Support line at:

**386-257-1187**



Or via email at:

[techsupport@metra-autosound.com](mailto:techsupport@metra-autosound.com)

**Tech Support Hours (Eastern Standard Time)**

Monday - Friday: 9:00 AM - 7:00 PM

Saturday: 10:00 AM - 7:00 PM

Sunday: 10:00 AM - 4:00 PM



**KNOWLEDGE IS POWER**

Enhance your installation and fabrication skills by enrolling in the most recognized and respected mobile electronics school in our industry. Log onto [www.installerinstitute.edu](http://www.installerinstitute.edu) or call 386-672-5771 for more information and take steps toward a better tomorrow.



**Metra recommends MECP  
certified technicians**