



INSTALLATION INSTRUCTIONS FOR PART 99-7516B

APPLICATIONS

Mazda CX9 2007-up

99-7516B

U.S. PATENT # D639,293

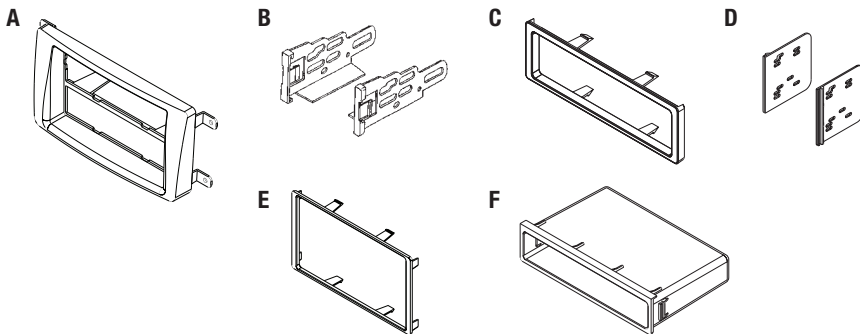
KIT FEATURES

- DIN radio provision with pocket
- ISO radio provision with pocket
- Double DIN radio provision
- Stacked ISO units provision
- *Painted matte black to match factory*



KIT COMPONENTS

- A) Radio Housing
- B) ISO Brackets
- C) ISO Trim Plate
- D) Double DIN Brackets
- E) Double DIN Trim Plate
- F) Pocket



WIRING & ANTENNA CONNECTIONS (Sold Separately)

- MZTO-01 - Mazda Amp Integration Harness 2007-Up
- 70-7903T - Mazda service harness 2007-up

TOOLS REQUIRED

Small Flat Blade Screwdriver • Panel Removal Tool • Phillips Screwdriver



METRA. THE WORLD'S BEST KITS.™



1-800-221-0932



metraonline.com

© COPYRIGHT 2004-2011 METRA ELECTRONICS CORPORATION



99-7516B

Table of Contents

Dash Disassembly

– Mazda CX9 2007-up 3-4

Kit Assembly

– DIN Head Unit provisions with pocket 5
– ISO DIN head unit provisions with pocket 6
– DDIN/stacked ISO DIN head unit provision 7

Caution

Metra recommends disconnecting the negative battery terminal before beginning any installation. All accessories, switches, and especially air bag indicator lights must be plugged in before reconnecting the battery or cycling the ignition.

**NOTE: Refer also to the instructions included with the aftermarket radio.*



KNOWLEDGE IS POWER

Enhance your installation and fabrication skills by enrolling in the most recognized and respected mobile electronics school in our industry. Log onto www.installerinstitute.com or call 800-354-6782 for more information and take steps toward a better tomorrow.

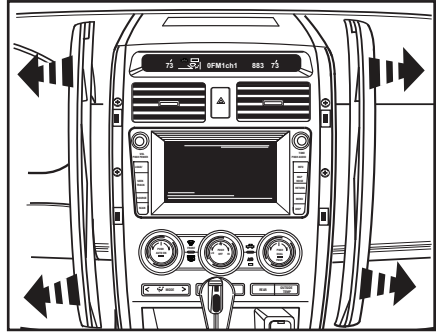


Metra recommends MECP certified technicians

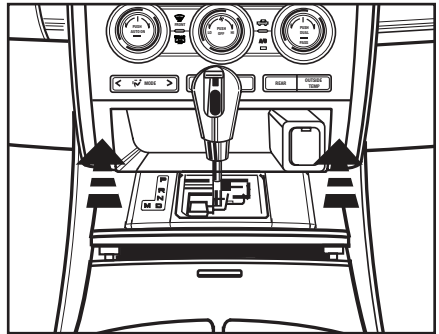
Dash Disassembly

1. Unclip and remove both side panels from center radio trim panel. (Figure A)
2. Unclip and remove the shifter trim panel. (Figure B)
3. Remove (1) Phillips screw from the accessory socket trim panel then unclip and remove the panel. (Figure C)

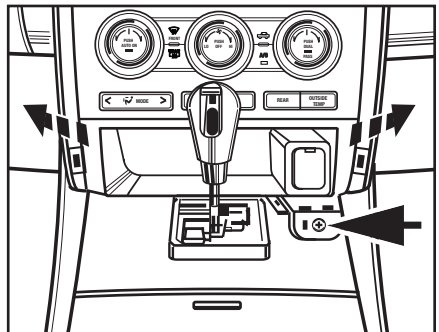
Continued on next page



(Figure A)



(Figure B)

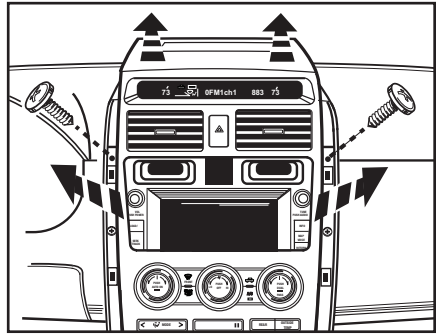


(Figure C)

Dash Disassembly

4. Remove (2) Phillips screws from the radio trim panel. (Figure D)
5. Unclip and remove the entire radio trim panel including the A/C controls. (Figure D)
6. Remove (4) Phillips screws securing the radio.

Continue to kit assembly



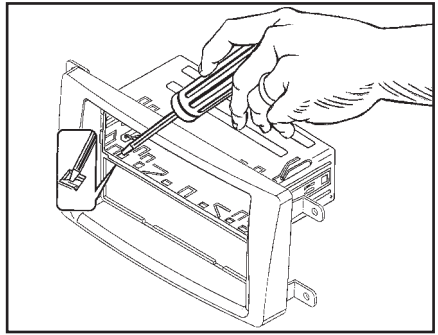
(Figure D)



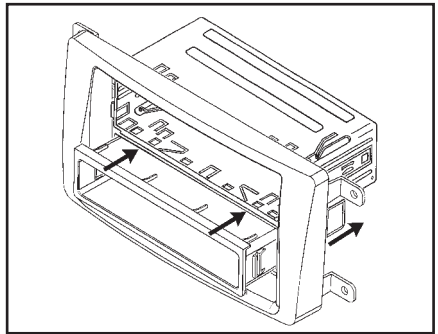
Kit Assembly 99-7516B

DIN head unit provision with pocket

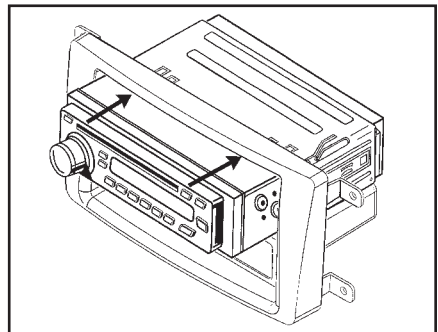
1. Locate the factory wiring harness in the dash. Metra recommends using the proper mating adapter from Metra or AXXESS. Re-connect the negative battery terminal and test the unit for proper operation.
2. Slide the DIN cage into the radio housing and secure by bending the metal locking tabs down. (Figure A)
3. Snap the pocket into the bottom opening of the radio housing. (Figure B)
4. Slide the aftermarket head unit into the cage and secure. (Figure C)
5. Reassemble dash in reverse order of disassembly.



(Figure A)



(Figure B)



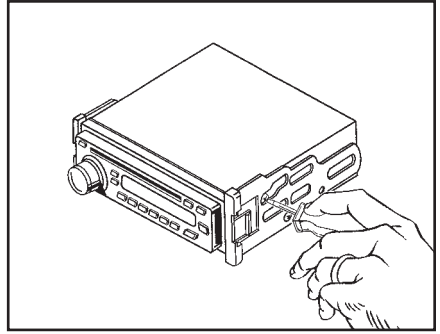
(Figure C)



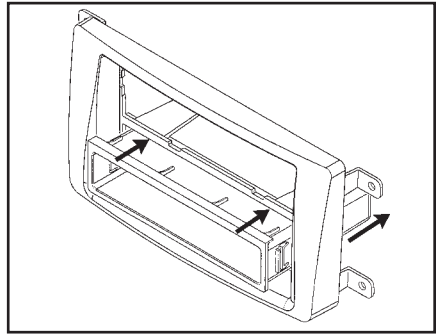
Kit Assembly 99-7516B

ISO DIN head unit provision with pocket

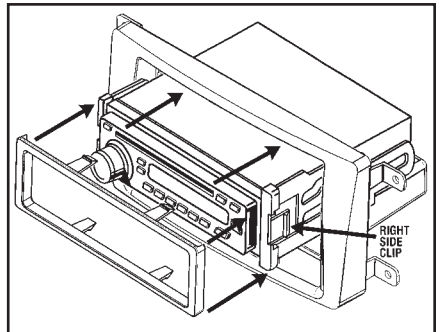
1. Locate the factory wiring harness in the dash. Metra recommends using the proper mating adapter from Metra or AXXESS. Re-connect the negative battery terminal and test the unit for proper operation.
2. Mount the ISO brackets to the head unit with the screws supplied with the unit. (Figure A)
3. Snap the pocket into the bottom opening of the radio housing. (Figure B)
4. Slide the head unit into the radio opening until the side clips engage. (Figure C)
5. Snap the Trim plate into the radio housing. (Figure C)
6. Reassemble dash in reverse order of disassembly.



(Figure A)



(Figure B)



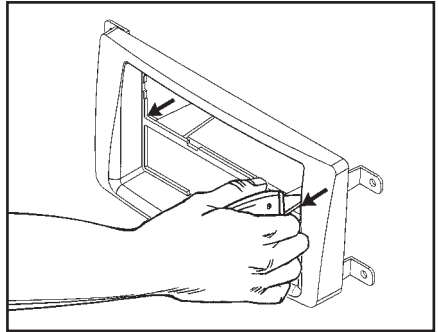
(Figure C)



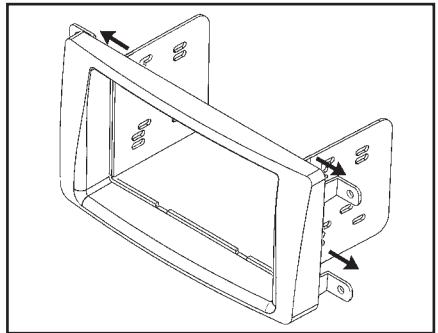
Kit Assembly 99-7516B

Double DIN head unit provision/ stacked ISO DIN head unit provision

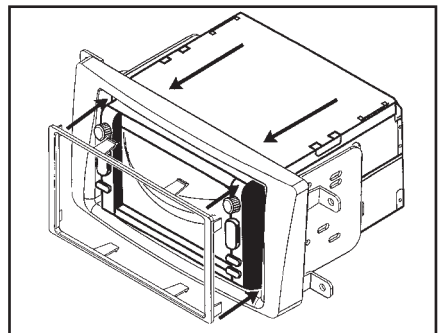
1. Locate the factory wiring harness in the dash. Metra recommends using the proper mating adapter from Metra or AXCESS. Re-connect the negative battery terminal and test the unit for proper operation.
2. Cut and remove the center bar from the radio housing. (Figure A)
3. Snap the Double DIN brackets to the inside edge of the Double DIN trim plate. (Figure B)
4. Slide the double DIN head unit or stacked ISO head units into the bracket/radio housing assembly and secure the double DIN head unit or stacked ISO head units to the assembly using the screws supplied with the radio. (Figure C)
5. Snap the double DIN trim plate into the radio housing. (Figure C)
6. Reassemble dash in reverse order of disassembly.



(Figure A)



(Figure B)



(Figure C)



INSTALLATION INSTRUCTIONS FOR PART 99-7516B

REV. 11/22/17

METRA. THE WORLD'S BEST KITS.™



1-800-221-0932



metraonline.com

© COPYRIGHT 2004-2011 METRA ELECTRONICS CORPORATION