



Nissan Armada (without NAV) 2013-2015, Nissan Armada 2008-2012, Nissan Pathfinder (LE, SE, SV, Silver Edition) 2008-2012

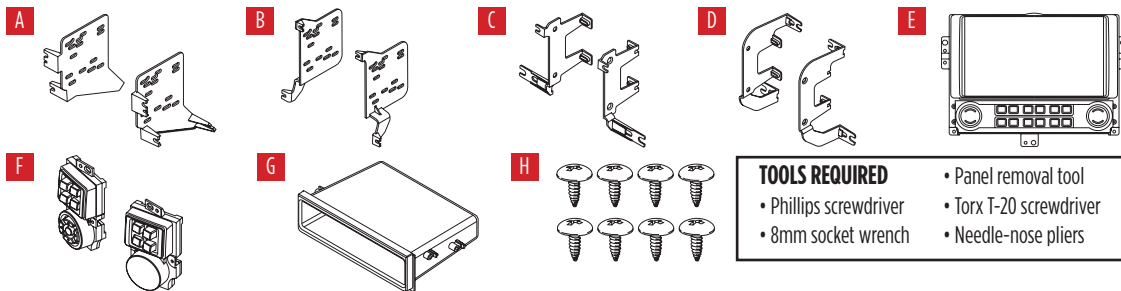
Visit MetraOnline.com for more detailed information about the product and up-to-date vehicle specific applications

KIT FEATURES

- ISO DIN radio provision with pocket
- ISO DDIN radio provision
- Painted scratch-resistant matte black
- Axxess interface to keep the factory screen active
- Buttons and circuitry to control the factory climate system

KIT COMPONENTS

- A) Radio brackets for Armada • B) Radio brackets for Pathfinder • C) Screen brackets for Armada • D) Screen brackets for Pathfinder
- E) HVAC control panel • F) Outboard control panel (2) • G) Pocket • H) #8 x 3/8" Phillips screws (8) • Axxess interface and harness (not shown)



TOOLS REQUIRED

- Phillips screwdriver
- Torx T-20 screwdriver
- 8mm socket wrench
- Panel removal tool
- Needle-nose pliers

TABLE OF CONTENTS

Dash Disassembly	
– Armada (without NAV) 2013-2015 / Armada 2008-2012.....	2
– Pathfinder (LE, SE, SV, Silver Edition) 2008-2012	3
Kit Preparation.....	4
Kit Assembly	
– ISO DIN radio provision with pocket	5
– ISO DDIN radio provision.....	5
Axxess interface installation.....	6-14

WIRING & ANTENNA CONNECTIONS (sold separately)

Wiring Harness: Axxess interface and harness included
Antenna Adapter: 40-N12

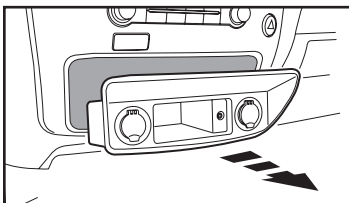
Attention! With the key out of the ignition, disconnect the negative battery terminal before installing this product. Ensure that all installation connections, especially the air bag indicator lights, are plugged in before reconnecting the battery or cycling the ignition to test this product.

NOTE: Refer also to the instructions included with the aftermarket radio.

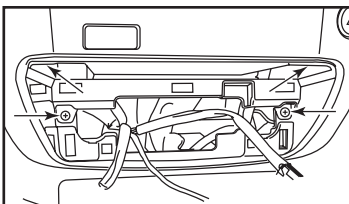
DASH DISASSEMBLY

Nissan Armada (w/o NAV) 2013-2015 Nissan Armada 2008-2012

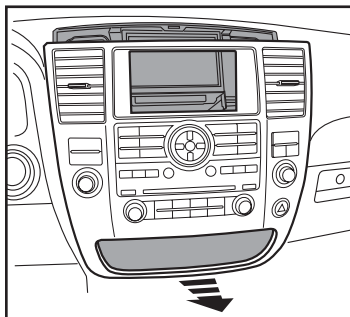
1. Unsnap and remove the power outlet/pocket assembly from the lower center dash. (Figure A)
2. Remove (4) 8mm screws now exposed in the cavity. (Figure B)
3. Using the panel removal tool, carefully unclip and remove the radio/climate control panel, including the A/C vents. (Figure C)
4. Remove (4) 8mm screws securing the display screen/climate module assembly, disconnect the wiring, and then remove the assembly. (Figure D)



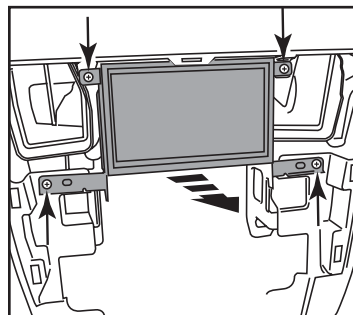
(Figure A)



(Figure B)



(Figure C)



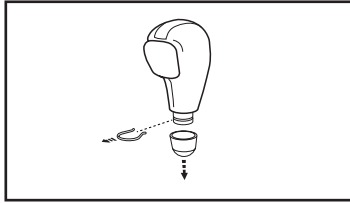
(Figure D)

Continue to Kit Preparation

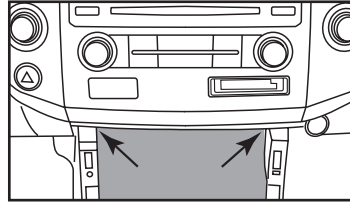
DASH DISASSEMBLY

Nissan Pathfinder (LE, SE, SV, Silver Edition) 2008-2012

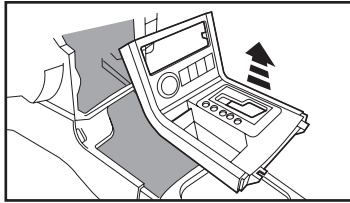
1. Push down on the collar of the shifter handle to expose the clip, and then using a pair of needle nose pliers remove the clip and then the shifter knob. (Figure A)
2. Unsnap and remove the shifter trim panel including the pocket/switch panel below the radio. (Figure B)
3. Remove (2) 8mm screws now exposed in the cavity. (Figure C)
4. Using the panel removal tool, carefully unclip and remove the radio/climate control panel. (Figure D)
5. Remove (4) 8mm screws securing the display screen/climate module assembly, disconnect the wiring, and then remove the assembly. (Figure E)



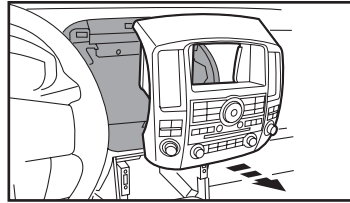
(Figure A)



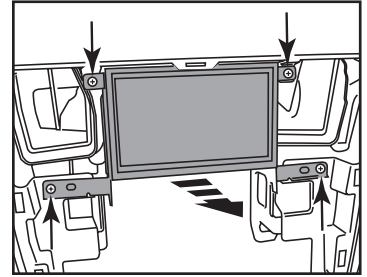
(Figure C)



(Figure B)



(Figure D)



(Figure E)

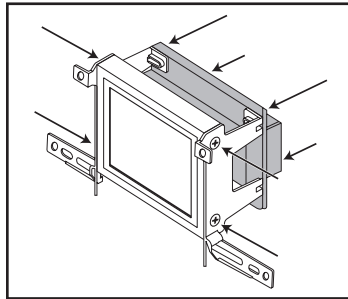
Continue to Kit Preparation

KIT PREPARATION

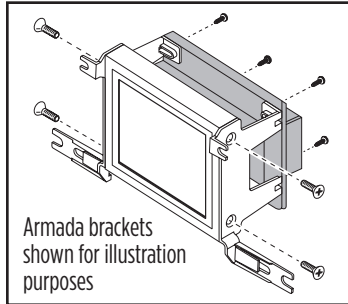
Attention! Hand tools are highly recommended as the factory dash may break with the use of power tools.

1. Remove (4) screws securing the climate module brackets to the climate module and remove the brackets. (Figure A, shaded portion)
2. Secure the climate module to the model specific set of **screen brackets** with the (4) #8 x 3/8" Phillips screws provided with this kit. (Figure B, shaded portion)
3. Remove (4) screws securing the display screen brackets to the display screen and remove the brackets. (Figure A)
4. Secure the display screen to the model specific set of screen brackets using the (4) screws previously removed. (Figure B)
5. Reconnect and secure the completed assembly to the dash using the (4) 8mm screws previously removed.

Note: It may be necessary to file the inside edges of the top (2) screen mounts to accommodate the display screen. The factory brackets will not be reused.



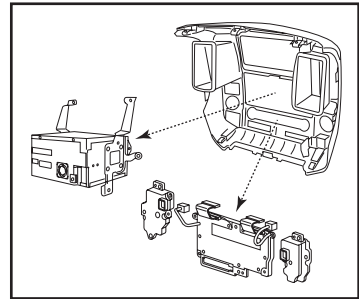
(Figure A)



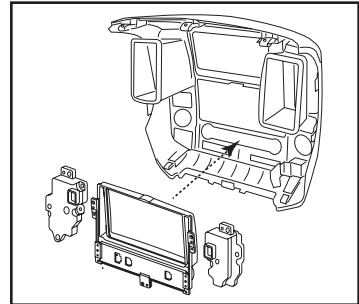
(Figure B)

6. Remove the (4) Torx T-20 screws securing the radio chassis to the radio/climate control panel, and then remove. (Figure C)
7. Remove the Torx screws securing the radio and climate controls buttons to the radio/climate control panel, and then remove. (Figure C)
8. Secure the **HVAC control panel**, and the (2) **outboard control panels**, to the factory radio/climate control panel using the factory hardware. Leave the top (2) mounting screws out for kit assembly. (Figure D)

Continue to Kit Assembly



(Figure C)



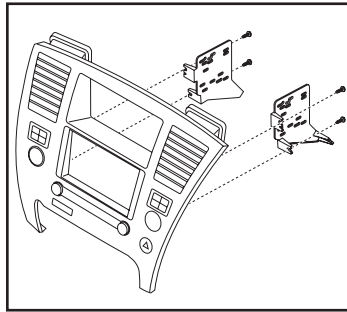
(Figure D)

KIT ASSEMBLY

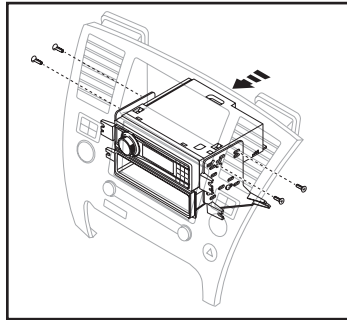
ISO DIN radio provision with pocket

1. Using the factory hardware, secure the model specific **radio brackets** onto the radio/climate control panel. (Figure A)
2. Attach the pocket to the **radio brackets** using the (4) #8 x 3/8" Phillips screws provided with this kit. (Figure B)
3. Remove the metal DIN sleeve and trim ring from the aftermarket radio.
4. Slide the radio into the bracket/pocket assembly, and then secure with the screws supplied with the aftermarket radio. (Figure B)

Continue to Axxess Interface Installation



(Figure A)

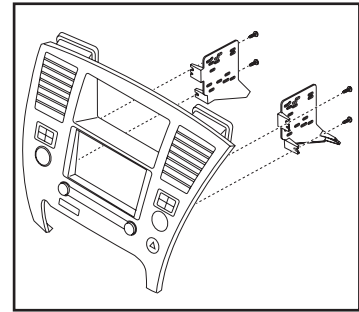


(Figure B)

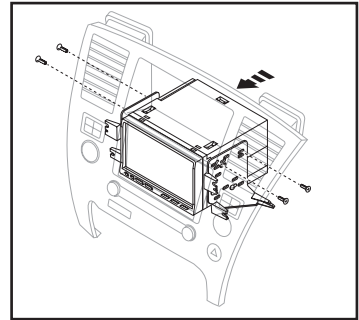
ISO DDIN radio provision

1. Using the factory hardware, secure the model specific **radio brackets** onto the radio/climate control panel. (Figure A)
2. Slide the radio into the bracket/pocket assembly, and then secure with the screws supplied with the aftermarket radio. (Figure B)

Continue to Axxess Interface Installation



(Figure A)



(Figure B)

AXXESS INTERFACE INSTALLATION

INTERFACE FEATURES

- Retains the factory display screen
- Retains the factory backup camera
- Retains the factory AUX-IN jack
- Retains personalization features
- Ability to add an aftermarket backup camera or additional video input
- Works in amplified or non-amplified models
- Pre-wired Axxess steering wheel control harness (sold separately)

INTERFACE COMPONENTS

- Axxess interface
- LD-7620-MAIN components:
 - 7620-MAIN harness
 - 12-pin harness with RCA jacks
 - 20-pin to 24-pin interface to display harness
- LD-7620-NAV components:
 - 7620-NAV harness
 - 32-pin harness with RCA jacks
 - 20-pin to 12-pin interface to display harness
- 14-pin to 14-pin HVAC control panel to interface harness
- 10-pin to 10-pin HVAC control panel to outboard control panel harness (2)

TABLE OF CONTENTS

Connections	
For models without factory NAV	
Without Bose amplifier	7
With Bose amplifier	8
For models with factory NAV	9
Installation	10
Final Assembly	11
Screen Operation	11-14
Updating the Interface	14

TOOLS REQUIRED

- Crimping tool and connectors, or solder gun, solder, and heat shrink
- Tape • Wire cutter • Zip ties

CONNECTIONS

7620-MAIN harness (for models *without* factory navigation)

For models *without* a BOSE amplifier:

From the 20-pin harness to the aftermarket radio connect as indicated:

- **Black** wire to the ground wire.
- **Yellow** wire to the battery/memory wire.
- **Red** wire to the accessory wire.
- **Orange** wire to the illumination wire. (if applicable)
- **Gray** wire to the front right (+) speaker output.
- **Gray/Black** wire to the front right (-) speaker output.
- **White** wire to the front left (+) speaker output.
- **White/Black** wire to the front left (-) speaker output.
- **Green** wire to the rear left (+) speaker output.
- **Green/Black** wire to the rear left (-) speaker output.
- **Purple** wire to the rear right (+) speaker output.
- **Purple/Black** wire to the rear right (-) speaker output.

The following wire is only for multimedia/navigation radios that require this wire.

Blue/Pink wire to the VSS/speed sense wire. (if applicable)

Red & White RCA jacks labeled “AUX Left” and “AUX Right” to the audio AUX-IN jacks, if retaining the factory AUX-IN jack.

Disregard the 12-pin Harness with RCA jacks, it will not be used in this application.

- Disregard the **Red** and **White** RCA jacks labeled “From DVD”, they will not be used in this application.

- Disregard the **Yellow** RCA jack labeled “From DVD”, it will not be used in this application.

Note: This 16-pin harness must be connected for the factory backup camera to function. There are (2) 16-pin harnesses in the vehicle. Use the 16-pin harness that was connected into the factory radio chassis.

- If an aftermarket backup camera or external video source is desired to be displayed to the factory display screen, connect the **Yellow** RCA jack labeled “Backcam” to the desired source.

From the 12-pin pre-wired Axxess steering wheel control (SWC) harness & 3.5mm jack:

- If the vehicle is not equipped with steering wheel controls, disregard this harness entirely.
- If the vehicle has steering wheel controls, the 12-pin SWC harness provided in this kit is to be used with an Axxess SWC interface (sold separately) to retain steering wheel controls. Disregard the harness that comes with the interface.

Note: Please verify the Axxess steering wheel control connections for your vehicle by visiting www.axxessinterfaces.com, and using the vehicle fit guide to find a vehicle specific instruction. If the vehicle is not equipped with steering wheel controls, disregard this harness entirely.

Continue to Installation

CONNECTIONS

7620-MAIN harness (for models *without* factory navigation)

For models *with* a BOSE amplifier:

From the 20-pin Harness to the aftermarket radio, connect as indicated:

- **Black** wire with a ring terminal chassis ground.
- **Yellow** wire to the battery/memory wire.
- **Red** wire to the accessory wire.
- **Orange** wire to the illumination wire. (if applicable)

The following wire is only for multimedia/navigation radios that require the wire. **Blue/Pink** wire to the VSS/speed sense wire.

- *Tape off and disregard the following (9) wires, they will not be used in this application: **Gray, Gray/Black, Green, Green/Black, Purple, Purple/Black, White, White/Black, White/Blue.***
- If retaining the factory AUX-IN jack, connect the **Red** and **White** RCA jacks labeled “AUX Input” to the AUX input.
- Disregard the **Red** and **White** RCA jacks labeled “From DVD”, they will not be used in this application.
- Disregard the **Yellow** RCA jack labeled “From DVD”, it will not be used in this application.

Note: This 16-pin harness must be connected for the factory backup camera to function. There are (2) 16-pin harnesses in the vehicle. Use the 16-pin harness that was connected into the factory radio chassis.

- If an aftermarket backup camera or external video source is desired to be displayed to the factory display screen, connect the **Yellow** RCA jack labeled “Backcam” to the desired source.

From the 12-pin pre-wired Axxess steering wheel control (SWC) harness & 3.5mm jack:

- If the vehicle is not equipped with steering wheel controls, disregard this harness entirely.
- If the vehicle has steering wheel controls, the 12-pin SWC harness provided in this kit is to be used with an Axxess SWC interface (sold separately) to retain steering wheel controls. Disregard the harness that comes with the interface.

Note: Please verify the Axxess steering wheel control connections for your vehicle by visiting www.axxessinterfaces.com, and using the vehicle fit guide to find a vehicle specific instruction.

From the 12-pin harness with RCA jacks to the aftermarket radio, connect as indicated:

- **Blue/White** wire to the amp turn on wire. This wire must be connected to hear sound from the factory amplifier.
- **White** RCA to the left front RCA output.
- **Gray** RCA to the right front RCA output
- **Green** RCA to the left rear RCA output.
- **Purple** RCA to the right rear RCA output.

Continue to Installation

CONNECTIONS

7620-NAV harness (for models *with* factory navigation)

From the 20-pin harness to the aftermarket radio connect as indicated:

- **Black** wire with a ring terminal to chassis ground.
- **Yellow** wire to the battery wire.
- **Red** wire to the accessory wire.
- **Orange** wire to the illumination wire (if applicable)
- **Blue/Pink** wire to the speed sense wire (if applicable).

From the 20-pin Harness to the aftermarket radio, connect as indicated:

- **White** wire to the left front (+) speaker output.
- **White/Black** wire to the left front (-) speaker output.
- **Gray** wire to the right front (+) speaker output.
- **Gray/Black** wire to the right front (-) speaker output.
- **Green** wire to the left rear (+) speaker output.
- **Green/Black** wire to the left rear (-) speaker output.
- **Purple** wire to the right rear (+) speaker output.
- **Purple/Black** wire to the right rear (-) speaker output.

From the 12-pin pre-wired Axxess steering wheel control (SWC) harness & 3.5mm jack:

- If the vehicle is not equipped with steering wheel controls, disregard this harness entirely.
- If the vehicle has steering wheel controls, the 12-pin SWC harness provided in this kit is to be used with an Axxess SWC interface (sold separately) to retain steering wheel controls. Disregard the harness that comes with the interface.

Note: Please verify the Axxess steering wheel control connections for your vehicle by visiting www.axxessinterfaces.com, and using the vehicle fit guide to find a vehicle specific instruction.

From the 32-pin harness with RCA jacks to the aftermarket radio:

- If retaining the factory AUX-IN jack, connect the **Red** and **White** RCA jacks labeled “AUX Input” to the AUX input.
- Disregard the **Red** and **White** RCA jacks labeled “From DVD”, they will not be used in this application.

Continue to Installation

INSTALLATION

For models *without* factory navigation:

With the key in the off position:

Attention! Extreme care must be taken when inserting the following harnesses. They can be forced in backwards and can permanently damage the kit if so.

1. Connect the **7620-MAIN harness** into the interface, and then to the wiring harness in the vehicle.
2. Connect the **20-pin to 24-pin interface to display harness** into the interface, and then to the 24-pin display harness in the vehicle.
3. Connect the **12-pin harness with RCA jacks** to the wiring harness in the vehicle.
4. Connect the **14-pin to 14-pin HVAC control panel to interface harness** into the interface, and then to the HVAC control panel.
5. Connect the **10-pin to 10-pin HVAC control panel to outboard control panel harness** into the HVAC control panel, and then to the outboard control panel. The right side connector on the HVAC control panel will go to the right side outboard control panel, and likewise for the left side.

For models *with* factory navigation:

With the key in the off position:

Attention! Extreme care must be taken when inserting the following harnesses. They can be forced in backwards and can permanently damage the kit if so.

1. Connect the **7620-NAV harness** into the interface, and then to the wiring harness in the vehicle.
2. Connect the **20-pin to 12-pin interface to display harness** into the interface, and then to the 12-pin display harness in the vehicle.
3. Connect the **32-pin harness with RCA jacks** to the wiring harness in the vehicle.
4. Connect the **14-pin to 14-pin HVAC control panel to interface harness** into the interface, and then to the HVAC control panel.
5. Connect the **10-pin to 10-pin HVAC control panel to outboard control panel harness** into the HVAC control panel, and then to the outboard control panel. The right side connector on the HVAC control panel will go to the right side outboard control panel, and likewise for the left side.

FINAL ASSEMBLY

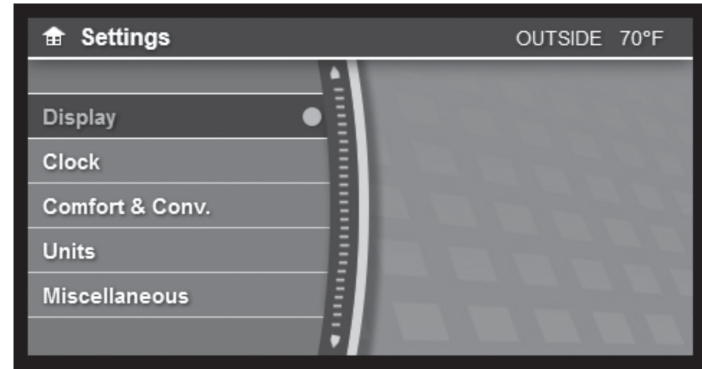
1. Locate the factory antenna connector in the dash and complete all necessary connections to the radio. Metra recommends using the proper mating adapter from Metra.
2. Before using the kit it must be initialized.

Attention! If the interface loses power for any reason, the following steps will need to be performed again.

- a. Turn the key (or push-to-start button) to the ignition position and wait until the factory display screen comes on. The screen should come on within 30 seconds.
Note: If the screen does not come on, turn the key to the off position, disconnect the interface, check all connections, reconnect the interface, and then try again. Ensure that the display harness is connected.
 - b. Start the vehicle and test all functions of the installation for proper operation, before reassembling the dash.
Note: The rear seat climate controls (if applicable) will no longer function with this kit.
3. Secure the completed assembly into the dash using the factory screws, and then reassemble the dash in reverse order of disassembly to complete the installation.
Note: If installing the **Axxess Steering Wheel Control** interface, test the aftermarket radio first; then, with the key on the off position, connect the **Axxess SWC** and follow the instructions on www.axxessinterfaces.com.

SCREEN OPERATION

Settings:



All button functions are retained and controlled in the same manner as the factory buttons were controlled.

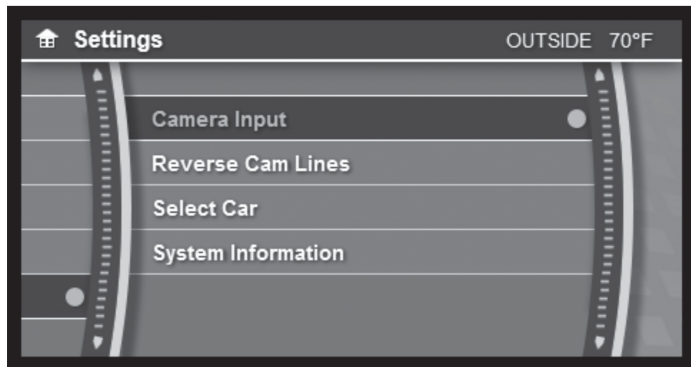
(**Example:** Tire Pressure, Fuel Economy, Brightness, Clock Setting, etc.)

Note: The (2) blank buttons on the HVAC control panel will not be used in this application.

Continued on the next page

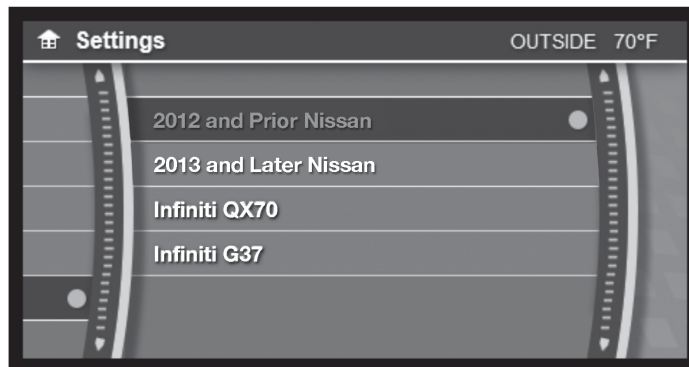
SCREEN OPERATION (CONT)

Miscellaneous:



- Go to - SETTINGS>MISCELLANEOUS
- **This menu allows access to the following options:** Camera Input / Reverse Camera Lines / Select Car / System Information

Select Car:

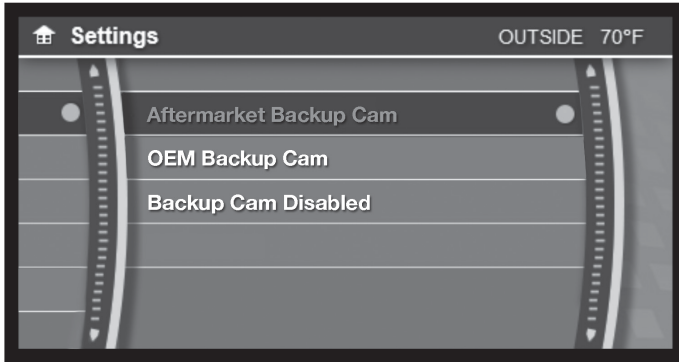


- Go to - SETTINGS>MISCELLANEOUS>SELECT CAR
- The Axxess interface will auto-detect the auto manufacturer. In the settings menu there is an option for manually designating the vehicle type to the interface. Also note, if the current selection does not appear to be functioning as intended, select a different vehicle to try.

Continued on the next page

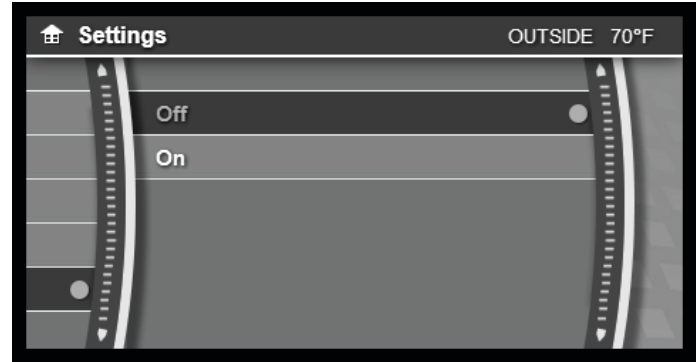
SCREEN OPERATION (CONT)

Camera input:



- Go to – SETTINGS> MISCELLANEOUS>CAMERA INPUT
- The factory back-up camera will continue to function by default. No extra steps are required.
- If an aftermarket backup camera has been purchased, select “Aftermarket Backup Cam”.
- **For non-nav models only:** To use an external video source (AUX-VIDEO) on the factory display screen, select “Backup Cam Disabled”.
- To activate AUX-VIDEO, press the blank button on the right outboard controller. AUXVIDEO will only function while the vehicle is in park.

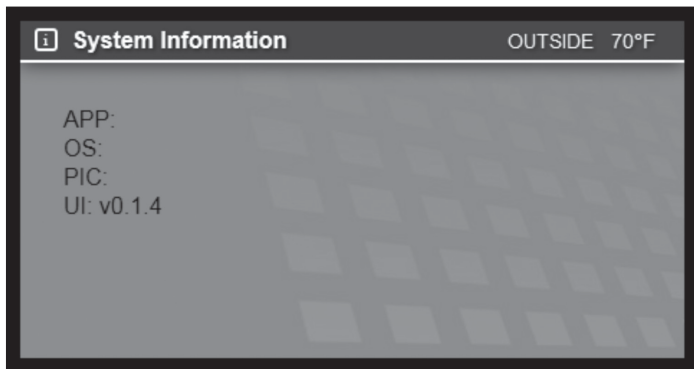
Reverse Cam Lines:



- Go to – SETTINGS>MISCELLANEOUS> REVERSE CAM LINES
- The reverse camera lines are off by default.
- Turn on to activate the reverse camera lines; off to deactivate them.

Continued on the next page

System Information:



- Go to - SETTINGS>MISCELLANEOUS>SYSTEM INFORMATION
- To access the current software of the product.
- Please have this information available when calling Tech Support for assistance.

Attention: In order to update the Axxess interface, the kit must have power from the vehicle.

1. Download and install the WebXXpress software update from axxessinterfaces.com.
2. Connect the USB-MINI-CAB update cable (sold separately) between the Axxess interface and the computer. The cable will connect into the port on the Axxess interface labeled “A”.
3. Remove the main connector from the vehicle. This will remove power from the kit.
4. Reconnect the main harness back to the vehicle, putting power back to the kit.
5. From the Start Menu of the computer, click on “USB Bootloader”, and then click “Update Board”.
6. Within a few seconds, the software will begin to download.

Note: If 30 seconds elapses before you finish this step, you will need to remove power from the Axxess interface, reapply power, and then start the update process again.

Note: Please note which firmware downloaded to the interface. This will help in troubleshooting, if need be.





99-7620B
INSTALLATION INSTRUCTIONS



Having difficulties? We're here to help.



Contact our Tech Support line at:

386-257-1187



Or via email at:

techsupport@metra-autosound.com

Tech Support Hours (Eastern Standard Time)

Monday - Friday: 9:00 AM - 7:00 PM

Saturday: 10:00 AM - 7:00 PM

Sunday: 10:00 AM - 4:00 PM



KNOWLEDGE IS POWER

Enhance your installation and fabrication skills by enrolling in the most recognized and respected mobile electronics school in our industry. Log onto www.installerinstitute.edu or call 386-672-5771 for more information and take steps toward a better tomorrow.



**Metra recommends MECP
certified technicians**



Nissan Armada (sin NAV) 2013-2015, Nissan Armada 2008-2012, Nissan Pathfinder (LE, SE, y SV) 2008-2012

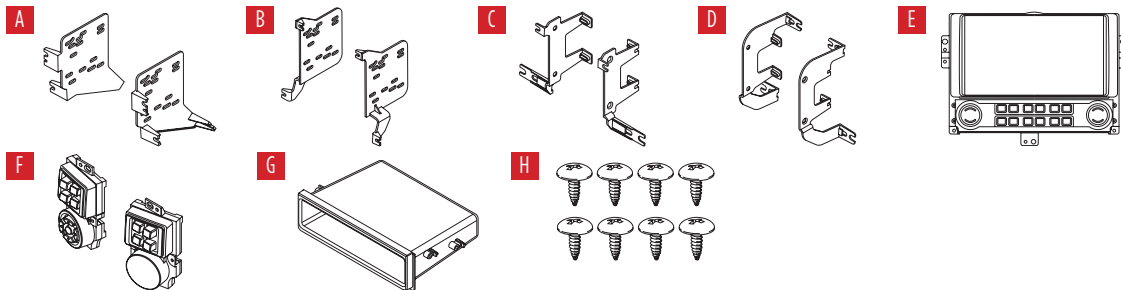
Visite MetraOnline.com para obtener información más detallada sobre el producto y aplicaciones actualizadas específicas para vehículos.

CARACTERÍSTICAS DEL KIT

- Provisión de radio ISO DIN con cavidad
- Provisión de radio ISO DDIN
- Pintura negra mate resistente a rayaduras
- Interfase Axxess para mantener activa la pantalla de fábrica
- Botones y circuitos para controlar el sistema de clima de fábrica

COMPONENTES DEL KIT

- A) Soportes de radio para Armada • B) Soportes de radio para Pathfinder • C) Soportes de pantalla para Armada • D) Soportes de pantalla para Pathfinder
- E) Panel de control central • F) Controles en la parte exterior (2) • G) Cavidad • H) Tornillos Phillips #8 de 3/8" (8) • Interfase y arnés Axxess (no se muestra)



INDICE

Desmontaje del tablero	
– Armada (sin NAV) 2013-2015 / Armada 2008-2012.....	2
– Pathfinder (LE, SE, SV, Silver Edition) 2008-2012....	3
Preparación del kit.....	4
Ensamble del kit	
– Provisión de radio ISO DIN con cavidad.....	5
– Provisión de radio ISO DDIN.....	5
Instalación de la interfase Axxess.....	6-14

CABLEADO Y CONEXIONES DE ANTENA

(Se venden por separado)

Arnés de cables: • Interfase y arnés Axxess incluidos
Adaptador de antena: • 40-NI12

HERRAMIENTAS REQUERIDAS

- Herramienta para quitar paneles
- Destornillador Phillips • Destornillador Torx T-20
- llave de tubo 8mm

¡Atención! Con la llave fuera del encendido, desconecte el terminal negativo de la batería antes de instalar este producto. Asegúrese de que todas las conexiones de la instalación, especialmente las luces indicadoras de las bolsas de aire, estén enchufadas antes de volver a conectar la batería o encender y apagar para probar este producto.

NOTA: Consulte también las instrucciones incluidas con el radio de mercado secundario.

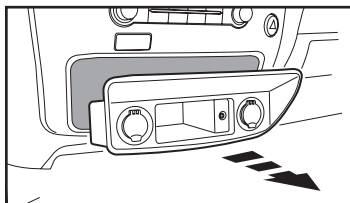
DESMONTAJE DEL TABLERO

Nissan Armada (sin NAV) 2013-2015

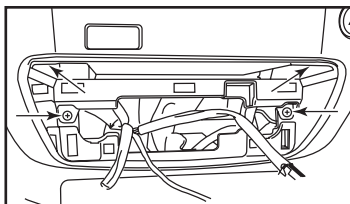
Nissan Armada 2008-2012

1. Suelte a presión y quite el ensamble de tomacorriente/cavidad del tablero central inferior. (Figura A)
2. Quite los (4) tornillos de 8mm que quedan expuestos. (Figura B)
3. Suelte a presión y retire el radio/panel del control de clima. (Figura C)
4. Retire los (4) tornillos de 8mm que sujetan el conjunto de pantalla/módulo climático y luego retire. (Figura D)

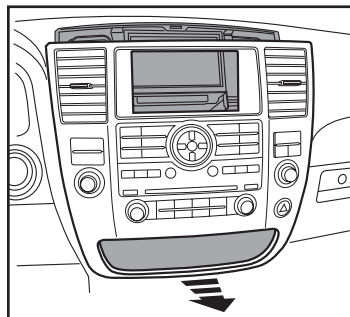
Continúe con la Preparación del Kit



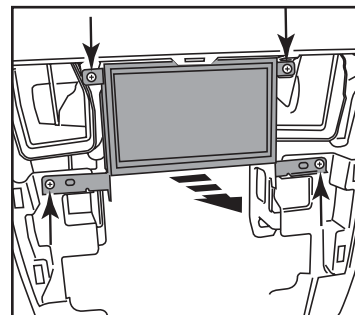
(Figura A)



(Figura B)



(Figura C)

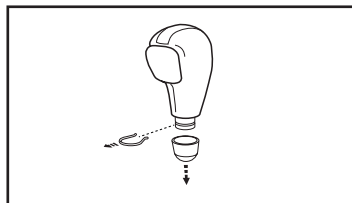


(Figura D)

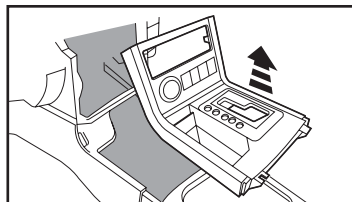
DESMONTAJE DEL TABLERO

Nissan Pathfinder (LE, SE, SV, Silver Edition)
2008-2012

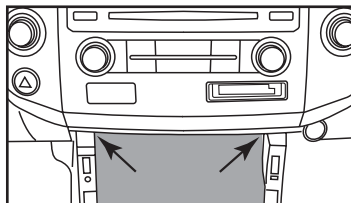
1. Presione hacia abajo el collar de la palanca de velocidades para exponer el gancho, quite el gancho y quite la palanca de velocidades. (Figura A)
2. Suelte a presión y quite la moldura de la palanca de velocidades, incluyendo la cavidad/el panel de interruptores debajo del radio. (Figura B)
3. Retire los (2) tornillos de 8mm ahora expuestos. (Figura C)
4. Suelte a presión y retire el radio/panel del control de clima. (Figura D)
5. Retire los (4) tornillos de 8mm que sujetan el conjunto de pantalla/módulo climático y luego retire. (Figura E)



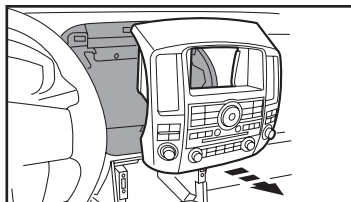
(Figura A)



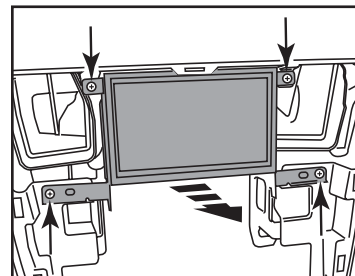
(Figura B)



(Figura C)



(Figura D)



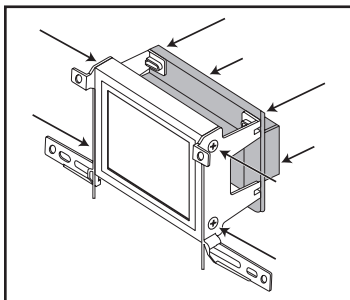
(Figura E)

Continúe con la Preparación del Kit

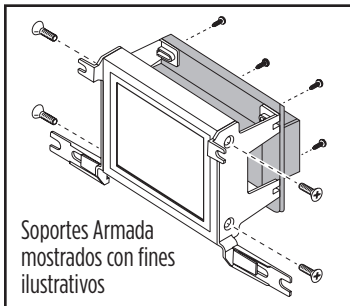
PREPARACIÓN DEL KIT

¡Atención! Herramientas de mano son muy recomendables como el guión de la fábrica puede romper con el uso de herramientas eléctricas.

1. Retire el módulo climático de los soportes de la pantalla de visualización / del módulo climático. (Figura A, porción sombreada)
2. Asegure el módulo climático al conjunto específico de **soportes de pantalla** con los (4) tornillos Phillips #8 x 3/8" suministrados. (Figura B, porción sombreada)
3. Retire la pantalla de visualización de los soportes de la pantalla de visualización / del módulo climático. (Figura A)
4. Asegure la pantalla de visualización al conjunto específico de **soportes de pantalla** utilizando el hardware de fábrica. (Figura B)



(Figura A)

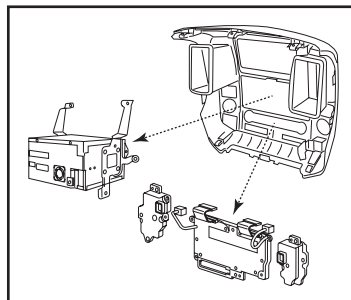


(Figura B)

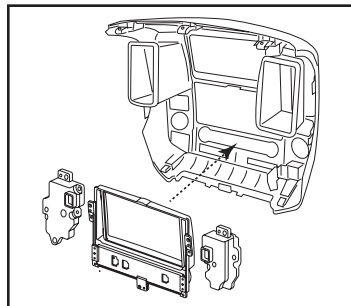
5. Vuelva a conectar y asegure el conjunto completo al tablero con el hardware de fábrica.

Nota: Puede ser necesario archivar los bordes interiores de los soportes de pantalla superiores (2) para acomodar la pantalla de visualización. Los soportes de fábrica no se reutilizarán.

6. Retire los (4) tornillos Torx T-20 que sujetan el chasis de la radio al panel de control de radio/climatización y luego retire. (Figura C)
7. Retire los tornillos Torx que fijan los botones de los controles de radio y climatización al panel de control de radio/climatización, y a continuación, retire. (Figura C)
8. Asegure el **panel de control HVAC** y los (2) **paneles de control externos** al panel de control de radio/climatización de fábrica usando el hardware de fábrica. Deje los tornillos de montaje de la parte superior (2) para ensamblaje del kit. (Figura D)



(Figura C)



(Figura D)

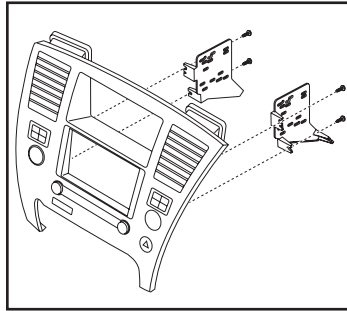
Continúe con el Ensamble del Kit

ENSAMBLE DEL KIT

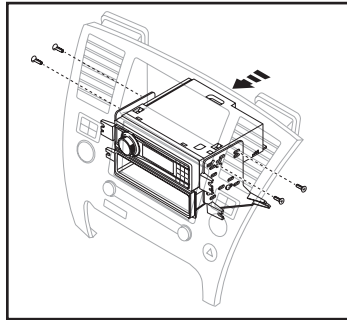
Provisión de radio ISO DIN con cavidad

1. Utilizando el hardware de fábrica, asegure los **soportes de radio** específicos del modelo en el panel de control de radio/clima. (Figura A)
2. Coloque la cavidad en el **soportes del radio** con (4) tornillos Phillips #8 suministrados. (Figura B)
3. Quite la manga de metal DIN y el anillo de moldura del radio de mercado secundario.
4. Deslice el radio dentro del conjunto del soporte/la cavidad y sujételo con los tornillos suministrados con el radio. (Figura B)

Continuar con la Instalación de la Interfase Axxess



(Figura A)

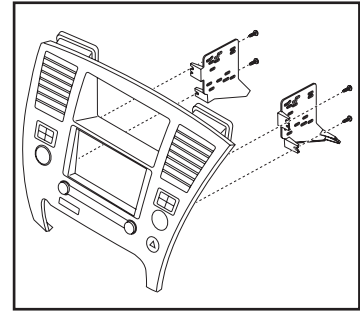


(Figura B)

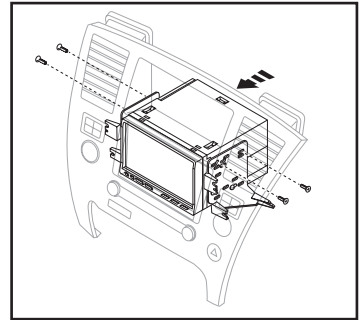
Provisión de radio ISO DDIN

1. Utilizando el hardware de fábrica, asegure los **soportes de radio** específicos del modelo en el panel de control de radio/clima. (Figura A)
2. Deslice el radio dentro del conjunto del soporte/la cavidad y sujételo con los tornillos suministrados con el radio. (Figura B)

Continuar con la instalación de la interfase Axxess



(Figura A)



(Figura B)

INSTALACIÓN DE LA INTERFASE AXCESS

CARACTERÍSTICAS DE LA INTERFASE

- Conserva la pantalla de fábrica
- Retiene la cámara de reversa de fábrica
- Conserva la toma AUX-IN de fábrica
- Retiene las funciones de personalización
- Capacidad de añadir cámara de reversa de mercado secundario y entrada adicio
- Funciona en modelos amplificadas o no amplificadas
- Arnés de control del volante Axxess precableado (se vende por separado)

COMPONENTES DE LA INTERFASE

- Interfase Axxess
- Componentes LD-7620-MAIN:
 - Arnés 7620-MAIN
 - Arnés de 12 pins con conectores RCA
 - Interfase de 20-pin a 24-pin para mostrar el arnés
- Componentes LD-7620-NAV:
 - Arnés 7620-NAV
 - Arnés de 32 pins con conectores RCA
 - Interfase de 20-pin a 12-pin para mostrar el arnés
- 14 pins a 14 pins panel de control HVAC para conectar el arnés
- 10 pins a 10 pins panel de control HVAC al (2) arnés del panel de control externo

INDICE

Conexiones	
Para modelos <i>sin</i> NAV de fábrica	7-8
Para modelos <i>con</i> NAV de fábrica	9
Instalación	10
Montaje final	11
Operación de la pantalla	11-14
Actualización de la interfase	14

HERRAMIENTAS REQUERIDAS

- Herramienta de ponchadora y conectores, o pistola de soldadura, soldadura y termocontracción
- Cinta • Cortacables • Zip lazos

Arnés 7620-MAIN (para modelos *sin* NAV de fábrica)

Para modelos *sin* amplificador BOSE:

Desde el arnés de 20 pins al radio de mercado secundario:

- Conecte el cable **negro** con un terminal de anillo a tierra del chasis.
- Conecte el cable **amarillo** al cable de la batería.
- Conecte el cable **rojo** con el cable de accesorios.
- Si el radio de mercado secundario tiene un cable de iluminación, conecte el cable **anaranjado** a ella.
- Conecte el cable **gris** con la salida positiva de la bocina derecha delantera.
- Conecte el cable **gris/negro** con la salida negativa de la bocina derecha delantera.
- Conecte el cable **blanco** con la salida positiva de la bocina izquierda delantera.
- Conecte el cable **blanco/negro** con la salida negativa de la bocina izquierda delantera.
- Conecte el cable **verde** con la salida positiva de la bocina izquierda trasera.
- Conecte el cable **verde/negro** con la salida negativa de la bocina izquierda trasera.
- Conecte el cable **púrpura** con la salida positiva de la bocina derecha trasera.
- Conecte el cable **púrpura/negro** con la salida negativa de la bocina derecha trasera.
- No tenga en cuenta el arnés de 12 pines con conectores RCA, no se utilizará en esta aplicación.
- Conecte el cable **azul/rosa** al cable del sensor de velocidad (si aplica).
- Si retener el enchufe AUX-IN de fábrica, conecte los conectores RCA **rojo** y **blanco** al entrada AUX.

- No tome en cuenta los conectores RCA **rojo** y **blanco** con la etiqueta "From DVD", no se usarán en esta aplicación.
- No tome en cuenta la toma RCA **amarilla** con etiqueta "From DVD", no se utilizará en esta aplicación.

Nota: Este arnés de 16 pines debe estar conectado para que funcione la cámara de respaldo de fábrica. Hay (2) arneses de 16 pines en el vehículo. Utilice el arnés de 16 pines que se conectó en el chasis de la radio de fábrica.

- Si se desea que una cámara de respaldo del mercado secundario o una fuente de vídeo externa se muestre en la pantalla de fábrica, conecte la toma RCA **amarilla** con la etiqueta "Backcam" a la fuente deseada.

Desde el arnés de control del volante (SWC) Axxess precableado de 12 clavijas & 3.5mm jack:

- Si el vehículo no está equipado con controles en el volante, ignore este arnés por completo.
- Si el vehículo tiene controles en el volante, el arnés SWC de 12 clavijas que se incluye en este kit debe usarse con una interfaz Axxess SWC (se vende por separado) para conservar los controles en el volante. Ignore el arnés que viene con la interfaz.

Nota: verifique las conexiones del control del volante Axxess para su vehículo visitando www.axxessinterfaces.com y utilice la guía de ajuste del vehículo para encontrar una instrucción específica del vehículo.

Continúe con Instalación

Arnés 7620-MAIN (para modelos *sin* NAV de fábrica)

Para modelos *con* amplificador BOSE:

Desde el arnés de 20 pins al radio de mercado secundario:

- Conecte el cable **negro** con un terminal de anillo a tierra del chasis.
- Conecte el cable **amarillo** al cable de la batería.
- Conecte el cable **rojo** con el cable de accesorios.
- Si el radio de mercado secundario tiene un cable de iluminación, conecte el cable **anaranjado** a ella.
- Encinte e ignore los siguientes (9) cables, ya que no se utilizarán en esta aplicación: **gris, gris/negro, verde, verde/negro, púrpura, púrpura/negro, blanco, blanco/negro, blanco/azul.**
- Conecte el cable **azul/rosa** al cable del sensor de velocidad (si aplica).
- Si retener el enchufe AUX-IN de fábrica, conecte los conectores RCA **rojo y blanco** al entrada AUX.
- No tome en cuenta los conectores RCA **rojo y blanco** con la etiqueta "From DVD", no se usarán en esta aplicación.
- No tome en cuenta la toma RCA **amarilla** con etiqueta "From DVD", no se utilizará en esta aplicación.

Nota: Este arnés de 16 pines debe estar conectado para que funcione la cámara de respaldo de fábrica. Hay (2) arneses de 16 pines en el vehículo. Utilice el arnés de 16 pines que se conectó en el chasis de la radio de fábrica.

- Si se desea que una cámara de respaldo del mercado secundario o una fuente de vídeo externa se muestre en la pantalla de fábrica, conecte la toma RCA **amarilla** con la etiqueta "Backcam" a la fuente deseada.

Desde el arnés de control del volante (SWC) Axxess precableado de 12 clavijas & 3.5mm jack:

- Si el vehículo no está equipado con controles en el volante, ignore este arnés por completo.
- Si el vehículo tiene controles en el volante, el arnés SWC de 12 clavijas que se incluye en este kit debe usarse con una interfaz Axxess SWC (se vende por separado) para conservar los controles en el volante. Ignore el arnés que viene con la interfaz.

Nota: verifique las conexiones del control del volante Axxess para su vehículo visitando www.axxessinterfaces.com y utilice la guía de ajuste del vehículo para encontrar una instrucción específica del vehículo.

Del arnés de 12 pines con conectores RCA al radio de mercado secundario:

- Conecte el cable **azul/blanco** al cable de encendido del amplificador. Este cable debe estar conectado para escuchar sonido del amplificador de fábrica.
- Conectar el RCA **blanco** a la salida delantera izquierda RCA.
- Conecte el RCA **gris** a la salida RCA frontal derecha
- Conecte el RCA **verde** a la salida RCA trasera izquierda.
- Conecte el RCA **púrpura** a la salida RCA posterior derecha.

Continúe con Instalación

Arnés 7620-MAIN (para modelos con NAV de fábrica)

Desde el arnés de 20 pins al radio de mercado secundario:

- Conecte el cable **negro** con un terminal de anillo a tierra del chasis.
- Conecte el cable **amarillo** al cable de la batería.
- Conecte el cable **rojo** con el cable de accesorios.
- Si el radio de mercado secundario tiene un cable de iluminación, conecte el cable **anaranjado** a ella.
- Conecte el cable **blanco** con la salida positiva de la bocina izquierda delantera.
- Conecte el cable **blanco/negro** con la salida negativa de la bocina izquierda delantera.
- Conecte el cable **gris** con la salida positiva de la bocina derecha delantera.
- Conecte el cable **gris/negro** con la salida negativa de la bocina derecha delantera.
- Conecte el cable **verde** con la salida positiva de la bocina izquierda trasera.
- Conecte el cable **verde/negro** con la salida negativa de la bocina izquierda trasera.
- Conecte el cable **púrpura** con la salida positiva de la bocina derecha trasera.
- Conecte el cable **púrpura/negro** con la salida negativa de la bocina derecha trasera.
- Conecte el cable **azul/rosa** al cable del sensor de velocidad (si aplica).

Desde el arnés de control del volante (SWC) Axxess precableado de 12 clavijas & 3.5mm jack:

- Si el vehículo no está equipado con controles en el volante, ignore este arnés por completo.
- Si el vehículo tiene controles en el volante, el arnés SWC de 12 clavijas que se incluye en este kit debe usarse con una interfaz Axxess SWC (se vende por separado) para conservar los controles en el volante. Ignore el arnés que viene con la interfaz.

Nota: verifique las conexiones del control del volante Axxess para su vehículo visitando www.axxessinterfaces.com y utilice la guía de ajuste del vehículo para encontrar una instrucción específica del vehículo.

Desde el arnés de 32 pins con tomas RCA hasta la radio de posventa:

- Si retener el enchufe AUX-IN de fábrica, conecte los conectores RCA **rojo** y **blanco** al entrada AUX.
- No tome en cuenta los conectores RCA **rojo** y **blanco** con la etiqueta "From DVD", no se usarán en esta aplicación.

Continúe con Instalación

INSTALACIÓN

Para modelos *sin* navegación de fábrica:

Con la llave en la posición de apagado:

1. Conecte el **arnés 7620-MAIN** a la interfase, y luego al arnés de cableado del vehículo.
2. Conecte la interfase de **20 pins a 24 pins para mostrar el arnés** en la interfase, y luego al arnés de pantalla de 24 pins en el vehículo.
3. Conecte el **arnés de 12 pins con los conectores RCA** al cableado del vehículo.

Atención! Se debe tener mucho cuidado al insertar los siguientes arneses. Pueden ser obligados hacia atrás y pueden dañar permanentemente el kit si es así.

4. Conecte el **panel de control HVAC de 14 pins a 14 pins para conectar el arnés** a la interfase y, a continuación, al panel de control HVAC.
5. Conecte el **panel de control HVAC de 10 pins a 10 pins al arnés del panel de control externo** en el panel de control HVAC y luego al panel de control externo. El conector del lado derecho del panel de control del HVAC irá al panel de control externo del lado derecho, e igualmente al lado izquierdo.

Para modelos *con* navegación de fábrica:

Con la llave en la posición de apagado:

1. Conecte el **arnés 7620-NAV** a la interfase, y luego al arnés de cableado del vehículo.
2. Conecte la **interfase de 20 pins a 12 pins para mostrar el arnés** en la interfase, y luego al arnés de pantalla de 12 pins en el vehículo.
3. Conecte el **arnés de 32 pins con los conectores RCA** al cableado del vehículo.

Atención! Se debe tener mucho cuidado al insertar los siguientes arneses. Pueden ser obligados hacia atrás y pueden dañar permanentemente el kit si es así.

4. Conecte el **panel de control HVAC de 14 pins a 14 pins para conectar el arnés** a la interfaz y luego al panel de control HVAC.
5. Conecte el **panel de control HVAC de 10 patillas a 10 patillas al arnés del panel de control externo** en el panel de control HVAC y luego al panel de control externo. El conector del lado derecho del panel de control del HVAC irá al panel de control externo del lado derecho, e igualmente al lado izquierdo.

MONTAJE FINAL

1. Localice el conector de antena de fábrica en el tablero y complete todas las conexiones necesarias a la radio. Metra recomienda utilizar el adaptador adecuado de Metra.
2. Antes de utilizar el kit debe ser inicializado.

Atención! Si la interfase pierde energía por cualquier razón, tendrán que volverse a ejecutar los siguientes pasos. Si va a utilizar el ASWC-1, conéctelo después de inicializar y probar el interfase/ radio con la llave en la posición de apagado.

- a. Gire la llave (o pulsar para botón de inicio) a la posición de encendido and y esperar hasta que la radio se enciende. La pantalla debe encenderse dentro de 30 segundos.

Nota: Si la pantalla no se enciende dentro, gire la llave a la posición de apagado, desconecte la interfase, compruebe todas las conexiones, vuelva a conectar la interfase, y vuelva a intentarlo. Asegúrese de que el arnés de la pantalla esté conectado.

- b. Prenda su vehículo para probar que todo las funciones le estén trabajando bien antes de volver a montar el tablero.

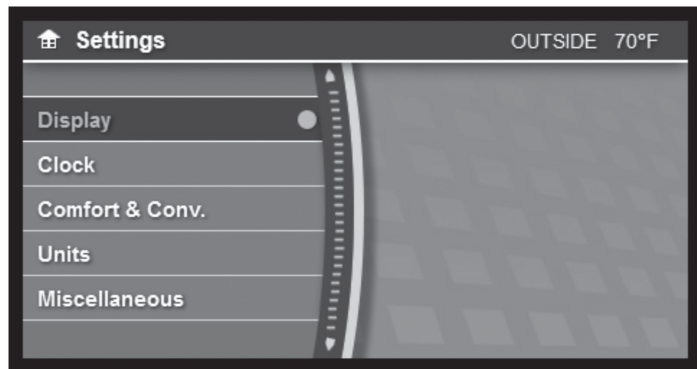
Nota: Los controles del clima del asiento trasero (si procede) ya no funcionarán con este kit.

3. Asegure el ensamblaje completo en el tablero usando los tornillos de fábrica y luego vuelva a armar el tablero en el orden inverso al desensamblado para completar la instalación.

Nota: Si instala la interfaz de control del volante Axxess, pruebe primero la radio de mercado secundario; luego, con la llave en la posición de apagado, conecte el Axxess SWC y siga las instrucciones en www.axxessinterfaces.com.

OPERACIÓN DE LA PANTALLA

Ajustes:



Todas las funciones del botón se mantienen y se controlan de la misma manera que los botones de fábrica fueron controlados.

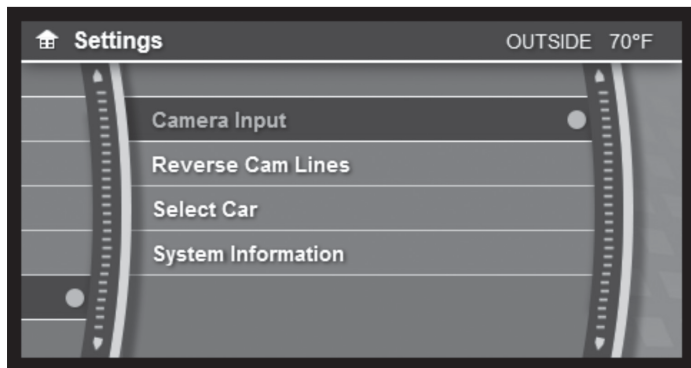
(Ejemplo: Presión de los neumáticos, economía de combustible, brillo, ajuste del reloj, etc.)

Nota: Los 2 botones en blanco del panel de control HVAC no se utilizarán en esta aplicación.

Continúa en la siguiente página

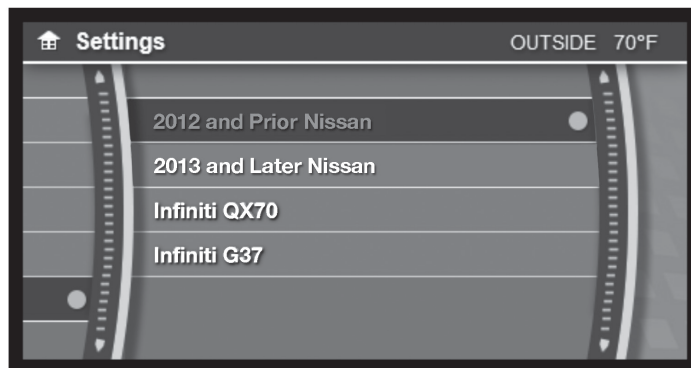
OPERACIÓN DE LA PANTALLA (CONT)

Diverso:



- Ve a - SETTINGS>MISCELLANEOUS
- **Este menú permite acceder a las siguientes opciones:** Entrada de cámara / Inversión de líneas de cámara / Seleccionar de coche / información del sistema

Seleccionar coche:

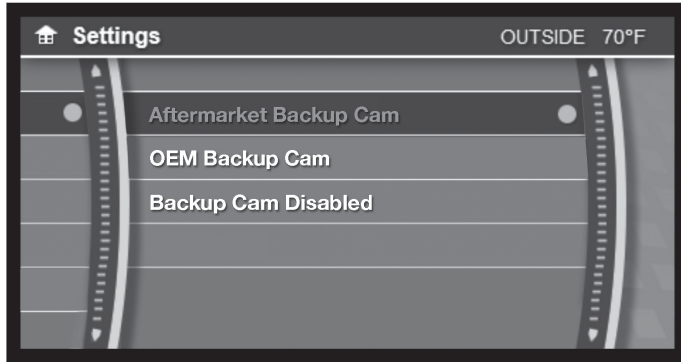


- Ve a - SETTINGS>MISCELLANEOUS>SELECT CAR
- La interfase Axxess detectará automáticamente en qué vehículo se instala. En el menú de configuración hay una opción de forzar el tipo de vehículo a la interfaz. También Nota, si la selección actual no parece estar funcionando como estaba previsto, seleccione un vehículo diferente para probar.

Continúa en la siguiente página

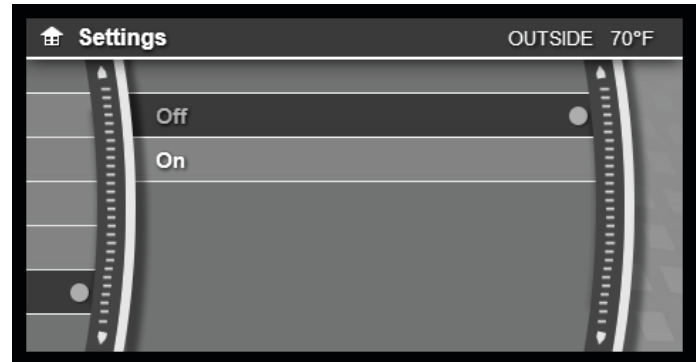
OPERACIÓN DE LA PANTALLA (CONT)

Entrada de la cámara:



- Ve a – SETTINGS> MISCELLANEOUS>CAMERA INPUT
- La cámara de reserva de fábrica continuará funcionando de forma predeterminada. No se requieren pasos adicionales .
- Si desea que se muestre una cámara de respaldo del mercado secundario en la pantalla de fábrica, seleccione “Aftermarket Backup Cam”.
- **Sólo para modelos no NAV:** Si desea visualizar una fuente de vídeo externa (AUX-VIDEO) en la pantalla de fábrica, seleccione “Backup Cam Disabled”.
- Para activar AUX-VIDEO, pulse el botón en blanco del controlador externo derecho. AUX-VIDEO sólo funcionará mientras el vehículo esté en el parque.

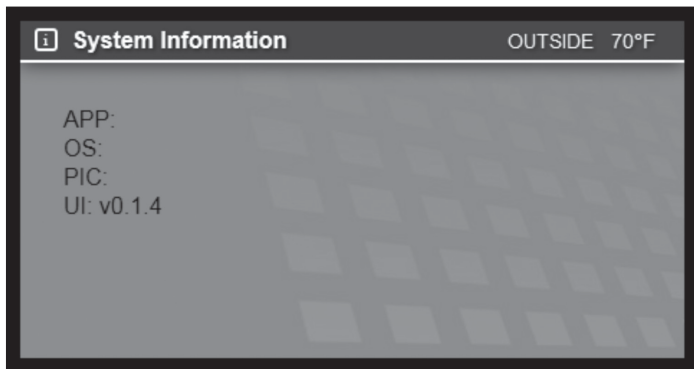
Líneas De Cámara De Reversa:



- Ve a – SETTINGS>MISCELLANEOUS> REVERSE CAM LINES
- Las líneas de cámara de reversa están desactivados de forma predeterminada.
- Activar para activar las líneas de cámara inversa; Desactivarlos para desactivarlos.

Continúa en la siguiente página

Información del Sistema:



- Ve a - SETTINGS>MISCELLANEOUS>SYSTEM INFORMATION
- Para acceder al software actual del producto.
- Tenga esta información disponible cuando llame al Soporte técnico para obtener asistencia.

Atención: Con el fin de actualizar la interfaz Axxess, el kit debe tener alimentación desde el vehículo.

1. Descargue e instale la actualización de software de WebXXpress desde axcessinterfaces.com.
2. Conecte el cable de actualización USB-MINI-CAB (se vende por separado) entre el interface Axxess y el ordenador. El cable se conectará en el puerto de la interfaz Axxess con la etiqueta "A".
3. Retire el conector principal del vehículo. Esto eliminará la energía del kit.
4. Vuelva a conectar el arnés principal al vehículo, devolviendo la corriente al kit.
5. En el menú Inicio del equipo, haga clic en "USB Bootloader", y luego haga clic en "Update Board".
6. Dentro de unos segundos, el software comenzará a descargarse.

Nota: Si transcurren 30 segundos antes de finalizar este paso, necesitará desconectar la alimentación de la interfaz Axxess, volver a aplicar la alimentación y reiniciar el proceso de actualización.

Nota: Por favor, indique qué firmware descargado a la interfaz. Esto ayudará en la solución de problemas, si es necesario.





99-7620B
INSTRUCCIONES DE INSTALACIÓN



¿Tienes dificultades? Estamos aquí para ayudar.



Póngase en contacto con nuestra
línea de soporte técnico en:
386-257-1187



O por correo electrónico a:
techsupport@metra-autosound.com

Horas de soporte técnico (hora estándar del este)

Lunes - Viernes: 9:00 AM - 7:00 PM

Sábado: 10:00 - 19:00

Domingo: 10:00 - 16:00



EL CONOCIMIENTO ES PODER

Mejore sus habilidades de instalación y fabricación inscribiéndose en la escuela de dispositivos electrónicos móviles más reconocida y respetada de nuestra industria. Regístrese en www.installerinstitute.com o llame al 386-672-5771 para obtener más información y avance hacia un futuro mejor.



Metra recomienda técnicos con certificación del Programa de Certificación en Electrónica Móvil (Mobile Electronics Certification Program, MECP).