



## INSTALLATION INSTRUCTIONS FOR PART 99-7860

# APPLICATIONS Honda Civic Si 2002-2005 (US Models Only)

## 99-7860

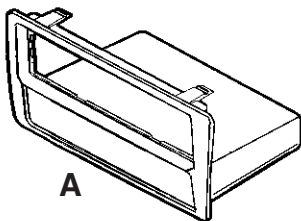
### KIT FEATURES

- DIN Head Unit Provision With Pocket
- ISO DIN Head Unit Provision With Pocket
- Stacked ISO Head Unit Provision
- Double DIN Head Unit Provision

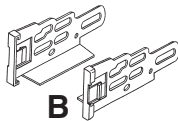


### KIT COMPONENTS

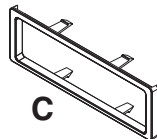
- A) Single DIN Radio Housing
- B) ISO Brackets
- C) ISO Trim Plate
- D) Double DIN Trim Plate



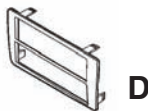
A



B



C



D

### WIRING AND ANTENNA CONNECTIONS (Sold Separately)

#### Harness:

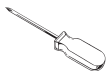
- 70-1721 - Honda/Acura harness 1998-up

#### Antenna Adapter

- Not Required

### TOOLS REQUIRED:

- Phillips Screwdriver
- Offset Tool (Not Pictured)



1-800-221-0932



[www.metraonline.com](http://www.metraonline.com)

© COPYRIGHT 2002-2009 METRA ELECTRONICS CORPORATION



**TABLE OF CONTENTS**

**Dash Disassembly**

**- Honda Civic SI 2002-2005..... 1**

**Kit Assembly**

**- DIN Head Unit Provision With Pocket .....2**

**- ISO Din Head Unit Provision With Pocket ..... 3**

**- Double Din Head Unit Provision .....4**

**- Stacked ISO Head Unit Provision ..... 5**

**Final Assembly.....6**

**\*Note:**

**Refer also to the instructions included with the aftermarket radio.**



**KNOWLEDGE IS POWER**

Enhance your installation and fabrication skills by enrolling in the most recognized and respected mobile electronics school in our industry. Log onto [www.installerinstitute.com](http://www.installerinstitute.com) or call 800-354-6782 for more information and take steps toward a better tomorrow.



## **Honda Civic SI 2002-2005**

- 1** Disconnect the negative battery terminal to prevent an accidental short circuit.
- 2** Remove the shift knob and unsnap the shifter lever trim panel.
- 3** Using the offset tool remove (2) lower bolts securing the center panel.
- 4** Unsnap and remove the dash trim bezel and disconnect the wiring.
- 5** Remove (3) Philips screws securing the climate control pod to the back of the dash trim bezel and remove the pod.
- 6** Remove (4) Phillips screws from each side securing the factory head unit and pocket to the bracket assembly and remove.

***NOTE:*** Removing the glove box and the drivers side lower trim panel may be necessary when removing the shifter level trim panel when not using an offset tool.

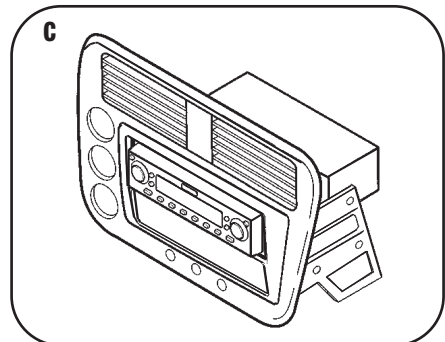
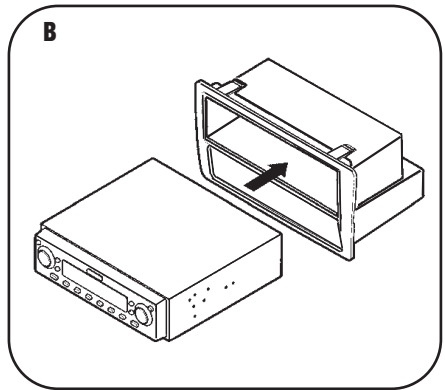
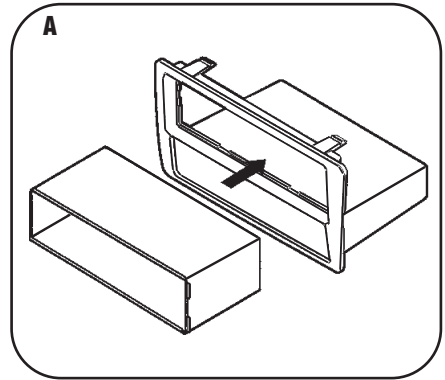
*Continue to kit assembly.*

## DIN HEAD UNIT PROVISION WITH POCKET

*\*Note: Refer also to the instructions included with the aftermarket radio.*

- 1** Slide the DIN cage into the radio opening of the Housing and secure by bending the metal locking tabs down. (Figure A)
- 2** Slide the DIN unit into the cage until it is secure. (Figure B)
- 3** Snap the housing assembly into the dash trim bezel. (Figure C)

*Continue to final assembly.*



*Assembled kit.*

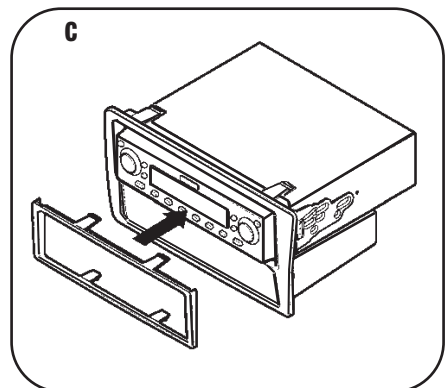
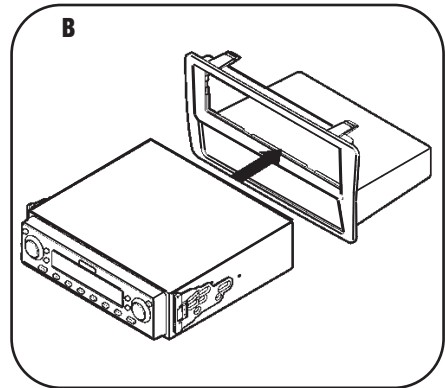
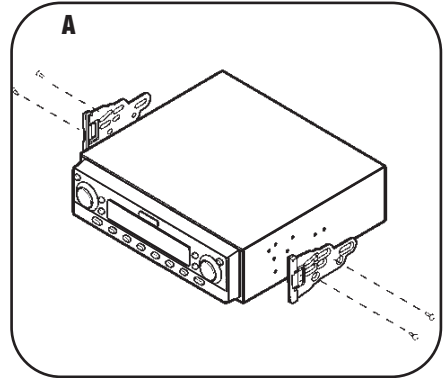
**ISO DIN HEAD UNIT PROVISION WITH POCKET**

*\*Note: Refer also to the instructions included with the aftermarket radio.*

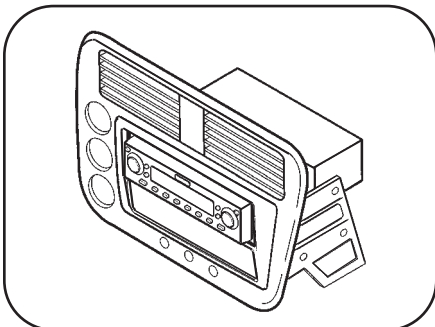
- 1 Align the holes in the ISO Snap-In Brackets with the holes in the head unit and mount the brackets to the head unit with the screws supplied with the unit. (Figure A)
- 2 Slide the head unit/bracket assembly into the radio opening until the side clips engage. (Figure B)
- 3 Snap the ISO trimplate over the head unit. (Figure C)
- 4 Snap the housing assembly into the dash trim bezel. (Figure C)

**NOTE:** To remove the mounted head unit, unclip and remove the ISO Trimplate. Using a small flat blade screwdriver, disengage the side clips securing the ISO Snap In Brackets to the housing/pocket assembly.

Continue to final assembly.



Assembled kit.

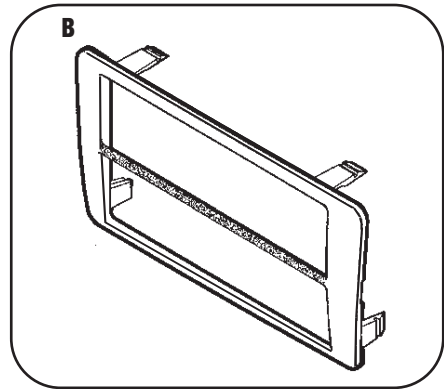
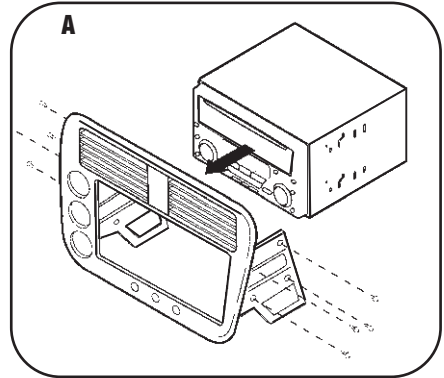


## DOUBLE DIN HEAD UNIT PROVISION

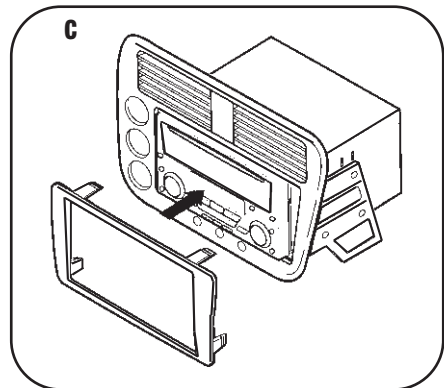
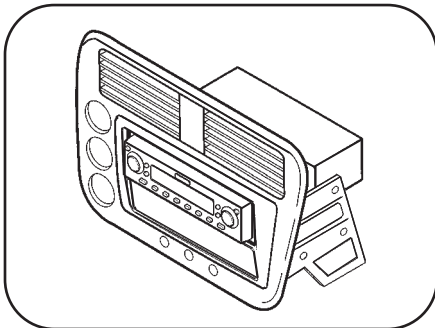
*\*Note: Refer also to the instructions included with the aftermarket radio.*

- 1 Align the holes on the factory basket assembly with the holes on the aftermarket Double DIN head unit and mount with the screws supplied with the unit. (Figure A)
- 2 Cut and remove the center rib (shaded) from the Double DIN Trimplate. (Figure B)
- 3 Snap the Double DIN Trimplate over the head unit. (Figure C)

*Continue to final assembly.*



*Assembled kit.*

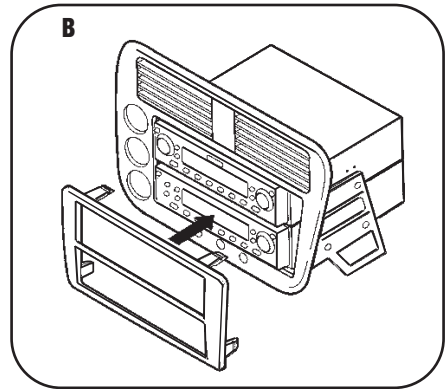
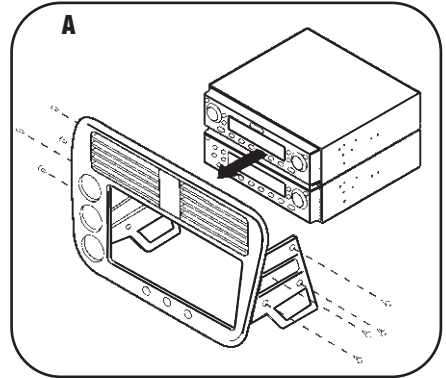


**STACKED ISO HEAD UNIT PROVISION**

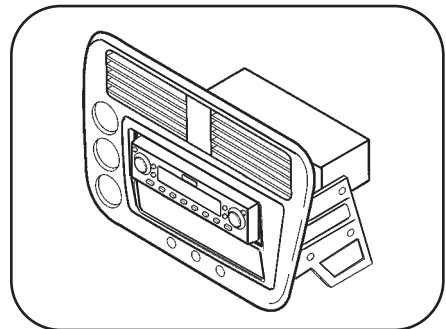
*\*Note: Refer also to the instructions included with the aftermarket radio.*

- 1 Align the holes on the factory basket assembly with the holes on the aftermarket ISO head units and mount with the screws supplied with the unit. (Figure A)
- 2 Snap the Double DIN Trimplate over the head unit. (Figure B)

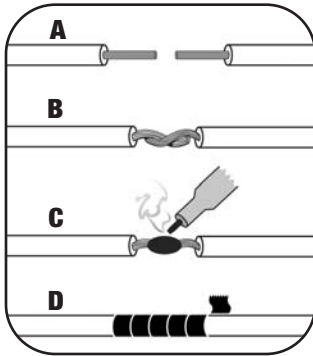
*Continue to final assembly.*



*Assembled kit.*



# FINAL ASSEMBLY



- (A) Strip wire ends back 1/2"**
- (B) Twist ends together**
- (C) Solder**
- (D) Tape**

- 1** Locate the factory wiring harness in the dash. Metra recommends using the proper mating adapter and making connections as shown. (Isolate and individually tape off the ends of any unused wires to prevent electrical short circuit.)
- 2** Re-connect the negative battery terminal and test the unit for proper operation.
- 3** Reassemble radio and dash assemblies in reverse order of disassembly.

## FINAL WIRING CONNECTIONS

Make wiring connections using the EIA color code chart shown below and the instructions included with the head unit. Metra recommends making connections as shown below; Strip, Splice, Solder, Tape. Isolate and individually tape off ends of any unused wires to prevent electrical short circuit.

### METRA / EIA WIRING CODE

|                             |                |                           |                |
|-----------------------------|----------------|---------------------------|----------------|
| 12V Ignition / Acc. . . . . | Red            | Right Front (+) . . . . . | Gray           |
| 12V Batt / Memory. . . . .  | Yellow         | Right Front (-). . . . .  | Gray/ Black    |
| Ground. . . . .             | Black*         | Left Front (+) . . . . .  | White          |
| Power Antenna. . . . .      | Blue           | Left Front (-). . . . .   | White / Black  |
| Amp Turn-On . . . . .       | Blue / White   | Right Rear (+) . . . . .  | Violet         |
| Amp Ground. . . . .         | Black / White  | Right Rear (-). . . . .   | Violet / Black |
| Illumination . . . . .      | Orange         | Left Rear (+) . . . . .   | Green          |
| Dimmer . . . . .            | Orange / White | Left Rear (-). . . . .    | Green / Black  |

**\*NOTE:** When a Black wire is not present, ground radio to vehicle chassis.  
All colors may not be present on all leads due to manufacturer's specifications.



**1-800-221-0932**



**www.metraonline.com**