



INSTALLATION INSTRUCTIONS FOR PART 99-8152

APPLICATIONS

Lexus

GS SERIES 1998-2005

*Not For Use In Vehicles With
Factory Navigation*

99-8152

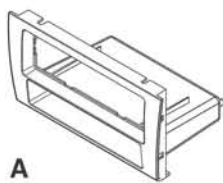
KIT FEATURES

- DIN Radio Provision with pocket
- ISO Radio Provision with pocket

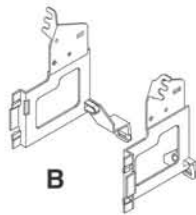


KIT COMPONENTS

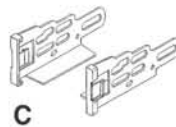
A) Radio Housing B) Mounting Brackets C) ISO Snap In Brackets D) ISO Trim Plate E) (2) #8 x 3/8" Screws



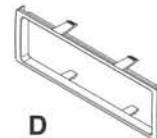
A



B



C



D



E

TOOLS REQUIRED:

Panel Removal Tool or
Small Flat Blade Screwdriver

Phillips Screwdriver



1-800-221-0932



www.metraonline.com

© COPYRIGHT 2008 METRA ELECTRONICS CORPORATION

TABLE OF CONTENTS

Dash Disassembly 1

Lexus

GS SERIES 1998-2005

Kit Assembly

Din Mount Radio Provision with pocket.....2

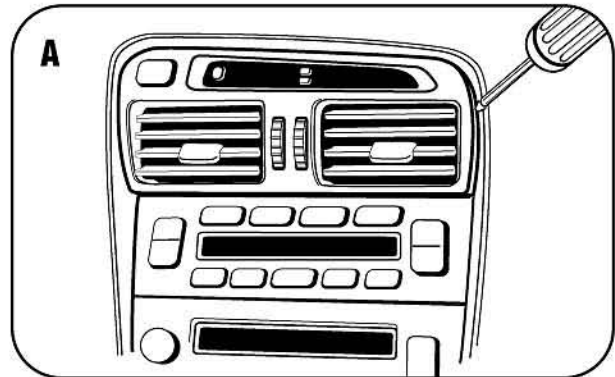
ISO Mount Radio Provision with pocket.....3

Final Assembly 4

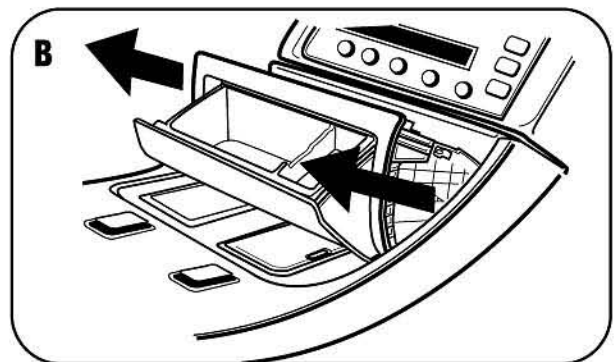
LEXUS GS SERIES 1998-2005

1 Disconnect the negative battery terminal to prevent an accidental short circuit.

2 Unsnap and remove vent/clock assembly from above climate controls. (Figure A)



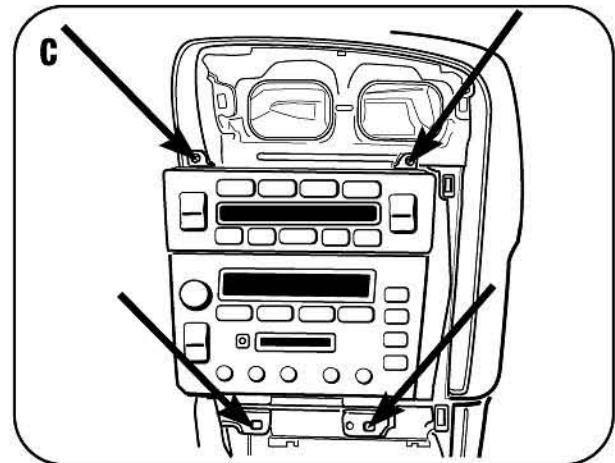
3 Unsnap and remove ashtray assembly from below radio. (Figure B)



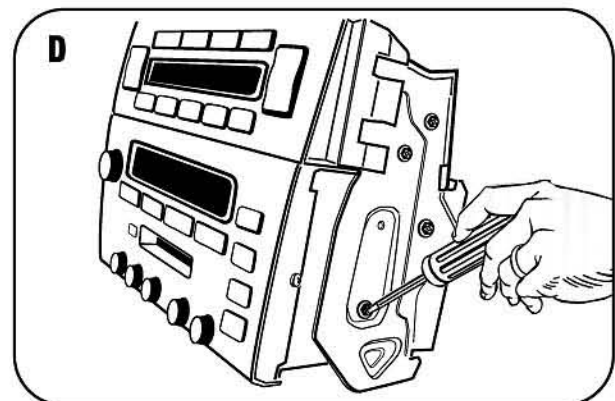
4 Remove two screws from behind vent/clock assembly. (Figure C)

5 Remove (2) screws from behind ashtray assembly. (Figure C)

6 Unplug and remove radio/climate controls assembly. (Figure C)

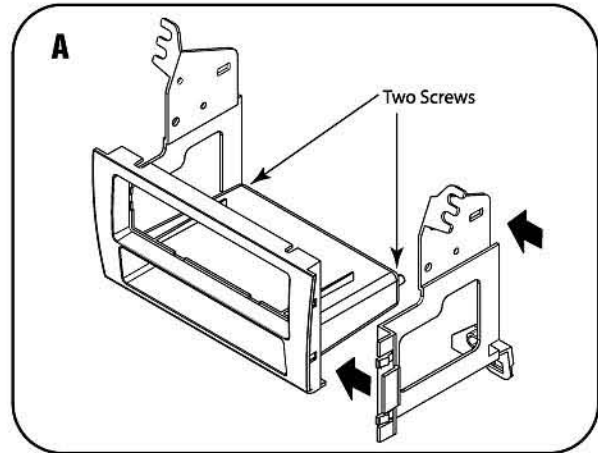


6 Remove side brackets to separate the radio from the climate controls. (Figure D)

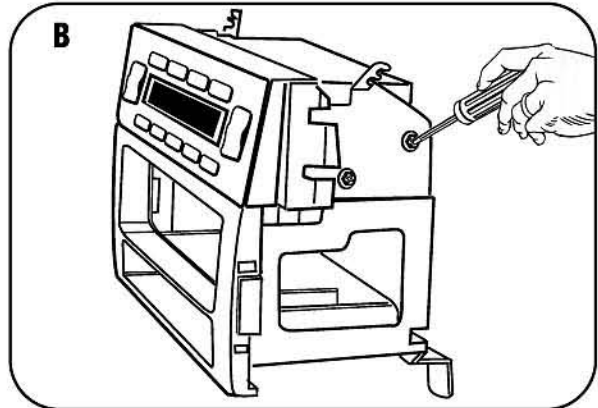


DIN MOUNT RADIO PROVISION WITH POCKET

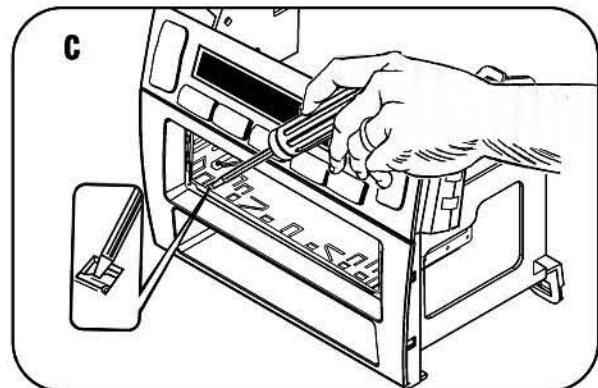
- 1 Snap the mounting brackets to the radio housing and secure using (2) #8 x3/8" screws provided with kit. (Figure A)



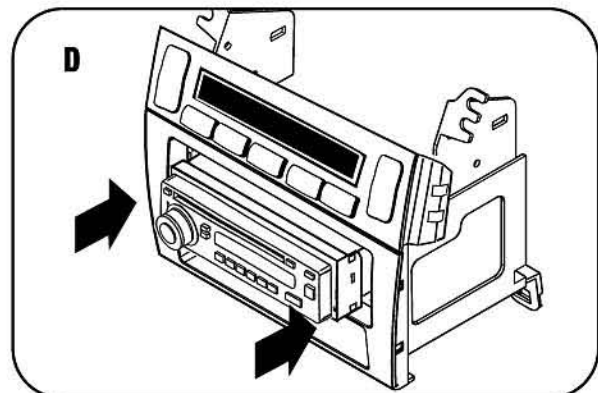
- 2 Align the climate controls with the mounting holes in the top of the mounting brackets. Secure the climate controls to the brackets using the (4) factory screws previously removed. (Figure B)



- 3 Slide the DIN cage into the Radio Housing assembly and secure by bending the metal locking tabs outward. (Figure C)



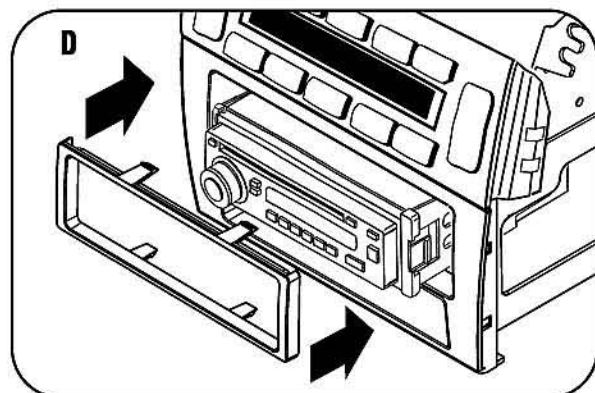
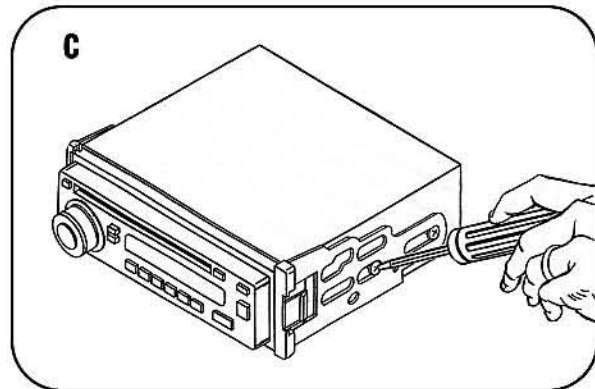
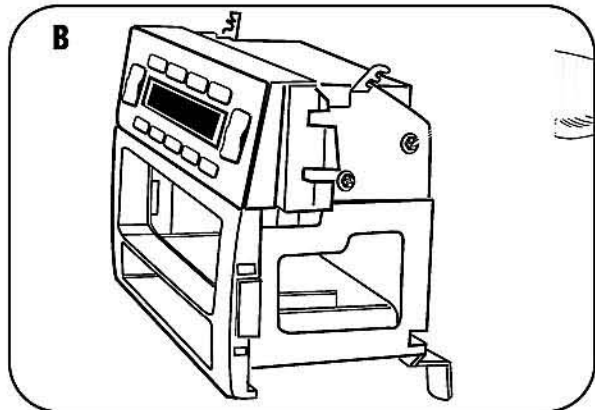
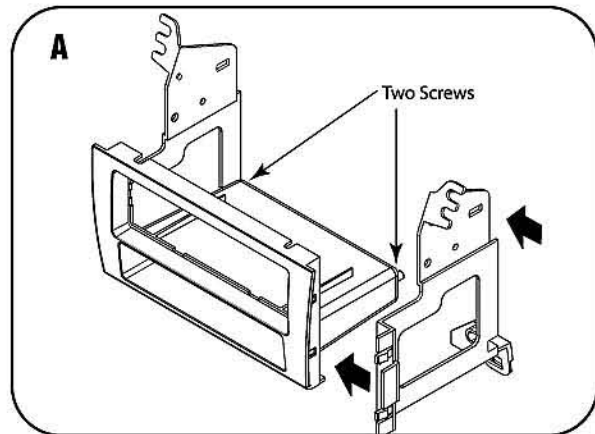
- 4 Slide the aftermarket radio into the cage/radio housing assembly until it snaps into place. (Figure D)



Continue to final assembly.

ISO MOUNT RADIO WITH POCKET

- 1 Snap the mounting brackets to the radio housing and secure using (2) #8 x3/8" screws provided with kit. (Figure A)
- 2 Align the climate controls with the mounting holes in the top of the mounting brackets. Secure the climate controls to the brackets using the (4) factory screws previously removed. (Figure B)
- 3 Align the holes in the ISO brackets with the holes in the radio. Mount the brackets to the radio using screws supplied with the radio. (Figure C)
- 4 Slide the radio/bracket assembly into the radio housing until it snaps into place. (Figure D)
- 5 Snap the ISO trim-plate onto the front of the assembled radio and housing. (Figure D)



Continue to final assembly.

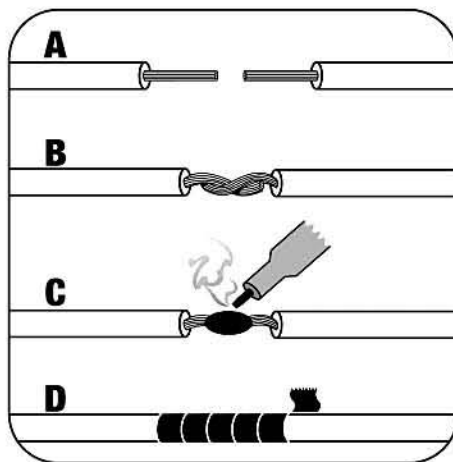
NOTE: To remove the radio unsnap and remove the ISO trim-plate. Using a flat blade screwdriver disengage ISO brackets from the radio housing and slide radio out of radio housing.

FINAL ASSEMBLY

- 1** Locate the factory wiring harness in the dash and make the connection as shown. Metra recommends using the proper mating adapter and making the connections as shown. (Isolate and individually tape off the ends of any unused wires to prevent electrical short circuit.)
- 2** Re-connect the negative battery terminal and test the unit for proper operation.
- 3** Reassemble radio and dash assemblies in reverse order of disassembly.

FINAL WIRING CONNECTIONS

Make wiring connections using the EIA color code chart shown below and the instructions included with the head unit. Metra recommends making connections as shown below; Strip, Splice, Solder, Tape. Isolate and individually tape off ends of any unused wires to prevent electrical short circuit.



- A) Strip wire ends back 1/2"**
- B) Twist ends together**
- C) Solder**
- D) Tape**

METRA / EIA WIRING CODE

12V Ignition / Acc . . . Red	Right Front (+) Gray
12V Batt / Memory . . Yellow	Right Front (-) Gray / Black
Ground Black*	Left Front (+) White
Power Antenna Blue	Left Front (-) White / Black
Amp Turn-On Blue / White	Right Rear (+) Violet
Amp Ground Black / White	Right Rear (-) Violet / Black
Illumination. Orange	Left Rear (+) Green
Dimmer Orange / White	Left Rear (-) Green / Black

***NOTE:** When a Black wire is not present, ground radio to vehicle chassis.

All colors may not be present on all leads due to manufacturer's specifications.

99-8152 INSTRUCTIONS

 **1-800-221-0932**  **www.metraonline.com**

REV. 04/25/08

© COPYRIGHT 2004 METRA ELECTRONICS CORPORATION

INST99-8152