



Toyota Camry (w/ separate climate bezel) 2018-2020

Visit MetraOnline.com for more detailed information about the product and up-to-date vehicle specific applications

KIT FEATURES

- ISO DIN radio provision with pocket
- ISO DDIN radio provision
- Tinted metallic finish

KIT COMPONENTS

- A) Radio trim panel • B) Radio brackets • C) Pocket • D) (4) #8 x 3/8" Phillips screws

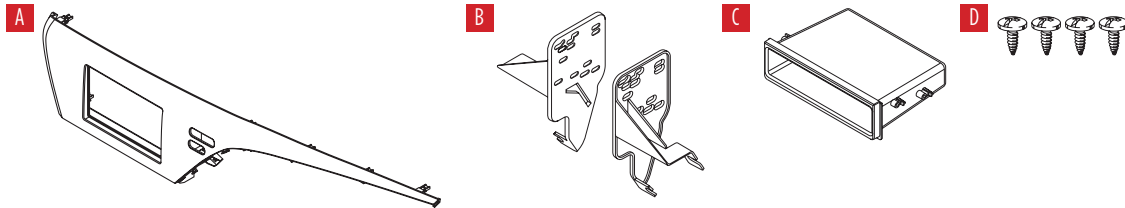


TABLE OF CONTENTS

Dash Disassembly	2-3
Kit Preparation	4
Kit Assembly	
–ISO DIN radio provision with pocket	5
–ISO DDIN radio provision.....	5

WIRING & ANTENNA CONNECTIONS (sold separately)

Wiring Harness: Visit metraonline.com for audio/video and steering wheel control interface options.
Antenna Adapter: 40-LX11

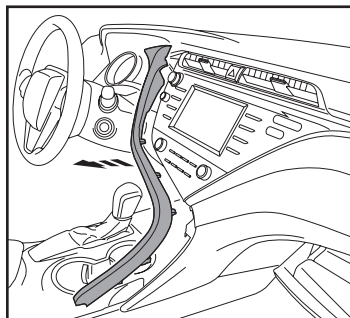
TOOLS REQUIRED

- Panel removal tool • Phillips screwdriver
- 10mm Socket wrench

Attention! With the key out of the ignition, disconnect the negative battery terminal before installing this product. Ensure that all installation connections are secure before cycling the ignition to test this product.

DASH DISASSEMBLY

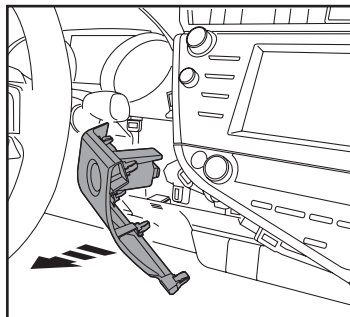
1. Unclip and remove the dashboard trim panel below the climate controls. (Figure A)



(Figure A)

2. **For models with a push button start:** Unclip the Start/Stop button trim panel and set it to the side. (Figure B)

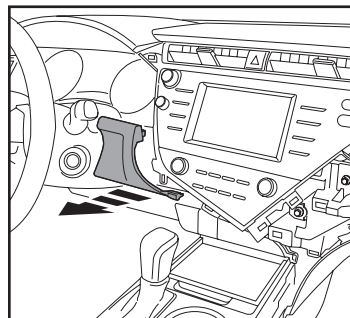
For models without a push button start: Unclip and remove the trim panel to the left of the radio/climate control panel. (Figure C)



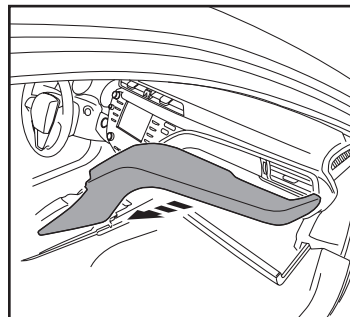
(Figure B)

3. Unclip and remove the lower dashboard trim panel directly above the glovebox. (Figure D)

Continued on the next page



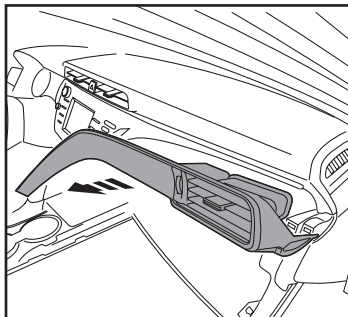
(Figure C)



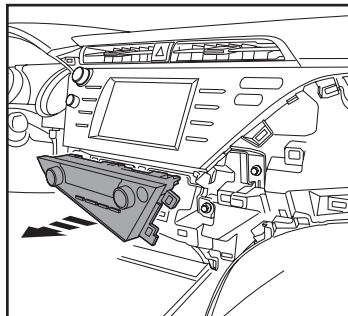
(Figure D)

DASH DISASSEMBLY (CONT.)

4. Unclip and remove the upper dashboard trim panel with a/c vent. (Figure E)
5. Unclip the climate control panel and set it to the side. (Figure F)



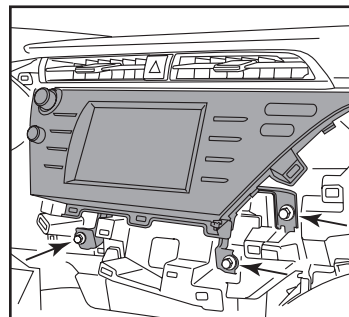
(Figure E)



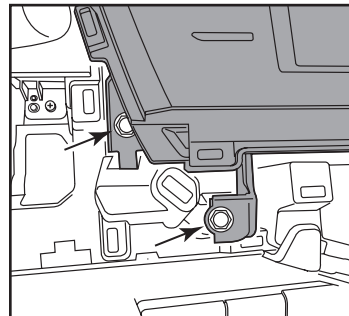
(Figure F)

6. Remove (4) 10mm screws securing the radio panel, then unplug and remove the panel. (Figures G, H)

Continue to Kit Preparation



(Figure G)

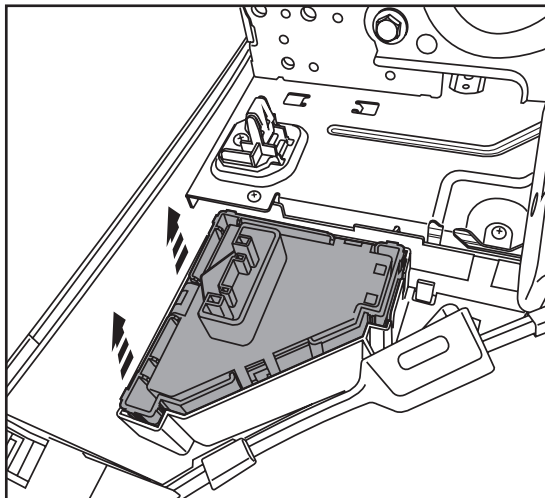


(Figure H)

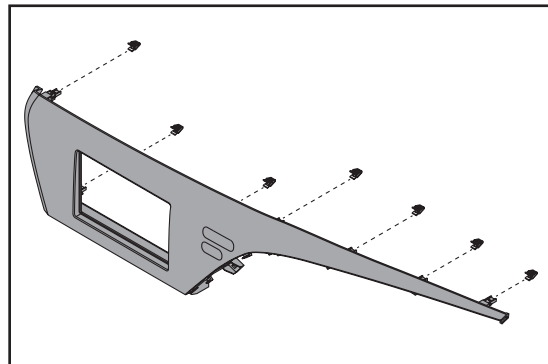
KIT PREPARATION

1. Unclip and remove the passenger airbag light assembly from the factory radio panel, then attach the assembly to the **radio trim panel**. (Figure A)
2. Remove the panel clips from the factory radio panel, then attach them onto the **radio trim panel**. (Figure B).

Continue to Kit Assembly



(Figure A)

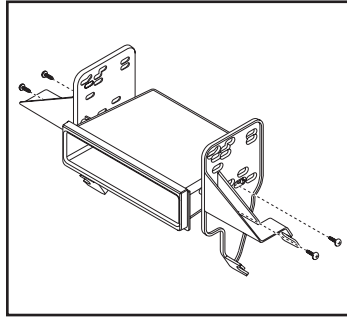


(Figure B)

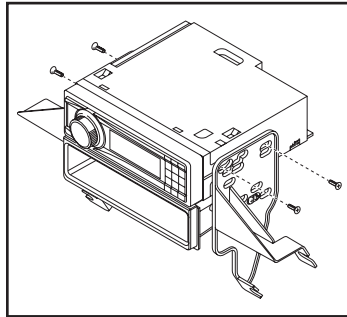
KIT ASSEMBLY

ISO DIN radio provision with pocket

1. Attach the **radio brackets** to the **pocket** using the (4) #8 x 3/8" Phillips screws provided. (Figure A)
2. Remove the metal DIN sleeve and trim ring from the aftermarket radio.
3. Slide the radio into the bracket/pocket assembly, then secure it using the screws supplied with the radio. (Figure B)
4. Locate the factory wiring harness and antenna connector in the dash and complete all necessary connections to the radio. Metra recommends using the proper mating adapter from Metra and/or Axxess. Test the radio for proper operation.
5. Connect the passenger airbag assembly, then secure the completed assembly to the dash using the factory screws.
6. Reassemble the dash in reverse order of disassembly to complete the installation.



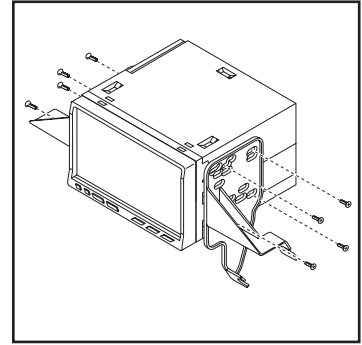
(Figure A)



(Figure B)

ISO DDIN radio provision

1. Attach the **radio brackets** to the radio using the screws supplied with the radio. (Figure A)
2. Locate the factory wiring harness and antenna connector in the dash and complete all necessary connections to the radio. Metra recommends using the proper mating adapter from Metra and/or Axxess. Test the radio for proper operation.
3. Connect the passenger airbag assembly, then secure the completed assembly to the dash using the factory screws.
4. Reassemble the dash in reverse order of disassembly to complete the installation.



(Figure A)



99-8266BLHG
INSTALLATION INSTRUCTIONS



Having difficulties? We're here to help.



Contact our Tech Support line at:

386-257-1187



Or via email at:

techsupport@metra-autosound.com

Tech Support Hours (Eastern Standard Time)

Monday - Friday: 9:00 AM - 7:00 PM

Saturday: 10:00 AM - 7:00 PM

Sunday: 10:00 AM - 4:00 PM



KNOWLEDGE IS POWER

Enhance your installation and fabrication skills by enrolling in the most recognized and respected mobile electronics school in our industry. Log onto www.installerinstitute.edu or call 386-672-5771 for more information and take steps toward a better tomorrow.



Metra recommends MECP certified technicians