



Fits Ford Focus* **Data Interface 2012-2018**

*with factory 4.2" screen

Visit AxxessInterfaces.com for more detailed information about the product and up-to-date vehicle specific applications

INTERFACE FEATURES

- Designed for both amplified and non-amplified models
- Provides accessory power (12-volt 10-amp)
- Retains R.A.P. (Retained Accessory Power)
- Provides NAV outputs (parking brake, reverse, speed sense)
- Pre-wired AXSWC harness (AXSWC sold separately)
- Retains balance and fade
- Micro "B" USB updatable

MetraOnline.com may be used to assist with dash assembly instructions. Simply enter your **Year, Make, Model vehicle** into the vehicle fit guide and look for the **Dash Kit Installation Instructions**.

www.MetraOnline.com



TABLE OF CONTENTS

Connections: LD-FD212 Harness	2
Installation	3
Programming.....	3

TOOLS & INSTALLATION ACCESSORIES REQUIRED

- Cutting tool
- Tape
- Crimping tool
- Connectors (i.e. butt-connectors, bell caps, etc.)

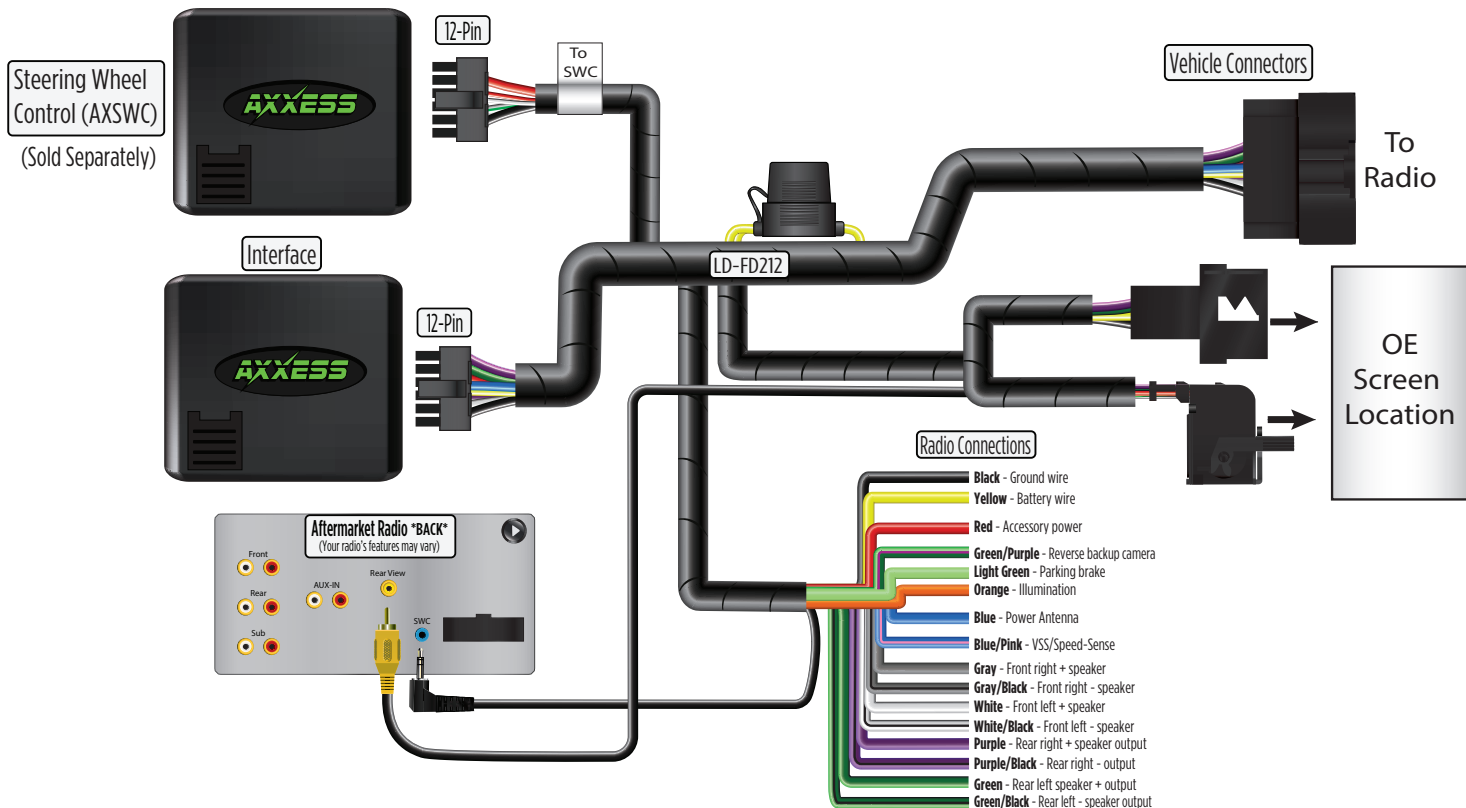
INTERFACE COMPONENTS

- AXDI-FOC interface
- LD-FD212 harness

ATTENTION: With the key out of the ignition, disconnect the negative battery terminal before installing this product. Ensure that all installation connections, especially the air bag indicator lights, are plugged in before reconnecting the battery or cycling the ignition to test this product.

NOTE: Refer also to the instructions included with the aftermarket accessory before installing this device.

CONNECTIONS: LD-FD212 DIAGRAM



INSTALLATION

With the key in the off position:

- Connect the **LD-FD212 harness** into the interface, and then to the wiring harness in the vehicle.

PROGRAMMING

Attention! If the interface loses power for any reason, the following steps will need to be performed again. Also, if installing an AXSWC connect it after you initialize and test the interface/radio, with the key in the off position.

1. Turn the key (or push-to-start button) to the ignition position and wait until the radio comes on.
Note: If the radio does not come on within 60 seconds, turn the key to the off position, disconnect the interface, check all connections, reconnect the interface, and
2. Turn the key to the off position, and then to the accessory position. Test all functions of the installation for proper operation, before reassembling the dash.

Note: If using the AXSWC, connect it after you initialize the AXDI-FOC, with the key in the off position.



Having difficulties? We're here to help.



Contact our Tech Support line at:

386-257-1187



Or via email at:

techsupport@metra-autosound.com

Tech Support Hours (Eastern Standard Time)

Monday - Friday: 9:00 AM - 7:00 PM

Saturday: 10:00 AM - 5:00 PM

Sunday: 10:00 AM - 4:00 PM



**Metra recommends MECP
certified technicians**