



INTERFACE COMPONENTS

- AXDSPX-GL9 interface
- AXDSPX-GL9 interface harness
- AXDSPX-GL9 vehicle T-harness
- Bass knob

APPLICATIONS

Visit Axxessinterfaces.com for current application list

GM DSP Interface with Pre-Wired Harness 2014-2020

INTERFACE FEATURES

- Designed for non-amplified models
- Includes a DSP (Digital Signal Processor)
- Selectable 31 Band graphic EQ or 5 Band Parametric EQ
- 10 individually assignable outputs
- Independent equalization on each of the 10 outputs
- Independent high pass, low pass, and bandpass filters
- Each channel can be delayed independently up to 10ms
- Clipping detection and limiting circuits
- Retains factory parking sensor chimes
- Retains OnStar® voice prompts
- Adjustable chime level

(Features continued on next page)

www.MetraOnline.com

MetraOnline.com may be used to assist with dash assembly instructions. Simply enter your Year, Make, Model vehicle into the vehicle fit guide and look for the Dash Kit Installation Instructions.



TABLE OF CONTENTS

Installation & Installation Options.....	2
Connections.....	3-4
Mobile App: Quick Setup.....	5-6
Specifications.....	7

TOOLS & INSTALLATION ACCESSORIES REQUIRED

- Crimping tool and connectors, or solder gun, solder, and heat shrink • Tape • Wire cutter
- Zip ties • Multimeter

Google Play Store



Apple App Store
iOS 12.1 or higher



ATTENTION: With the key out of the ignition, disconnect the negative battery terminal before installing this product. Ensure that all installation connections, especially the air bag indicator lights, are plugged in before reconnecting the battery or cycling the ignition to test this product.

NOTE: Refer also to the instructions included with the aftermarket accessory before installing this device.

INSTALLATION OPTIONS

Adding a subwoofer to a factory system:

This feature offers the ability to add a subwoofer to a non-amplified factory system. (Refer to **Page 3**)

Adding a full-range amp and subwoofer to a factory system:

This feature offers the ability to add a full-range amp and sub to a factory system, on a non-amplified system. (Refer to **Page 4**)

Note: The interface provides a 12-volt 1-amp output to turn on aftermarket amp(s). If installing multiple amps, an SPDT automotive relay will be required if the amp turn-on current of all amps combined exceeds 1-amp. Use Metra part number E-123 (sold separately) for best results.

FEATURES CONT.

- Easy behind the radio installation with pre-wired harness
- Bass knob included for level control of subwoofer amp
- Settings adjusted via Bluetooth® in a smart device application (tablet or mobile phone), compatible with both Android and Apple devices
- Read, write, and store configurations for future recall
- Password protect feature available in the mobile app
- Micro-B USB updatable

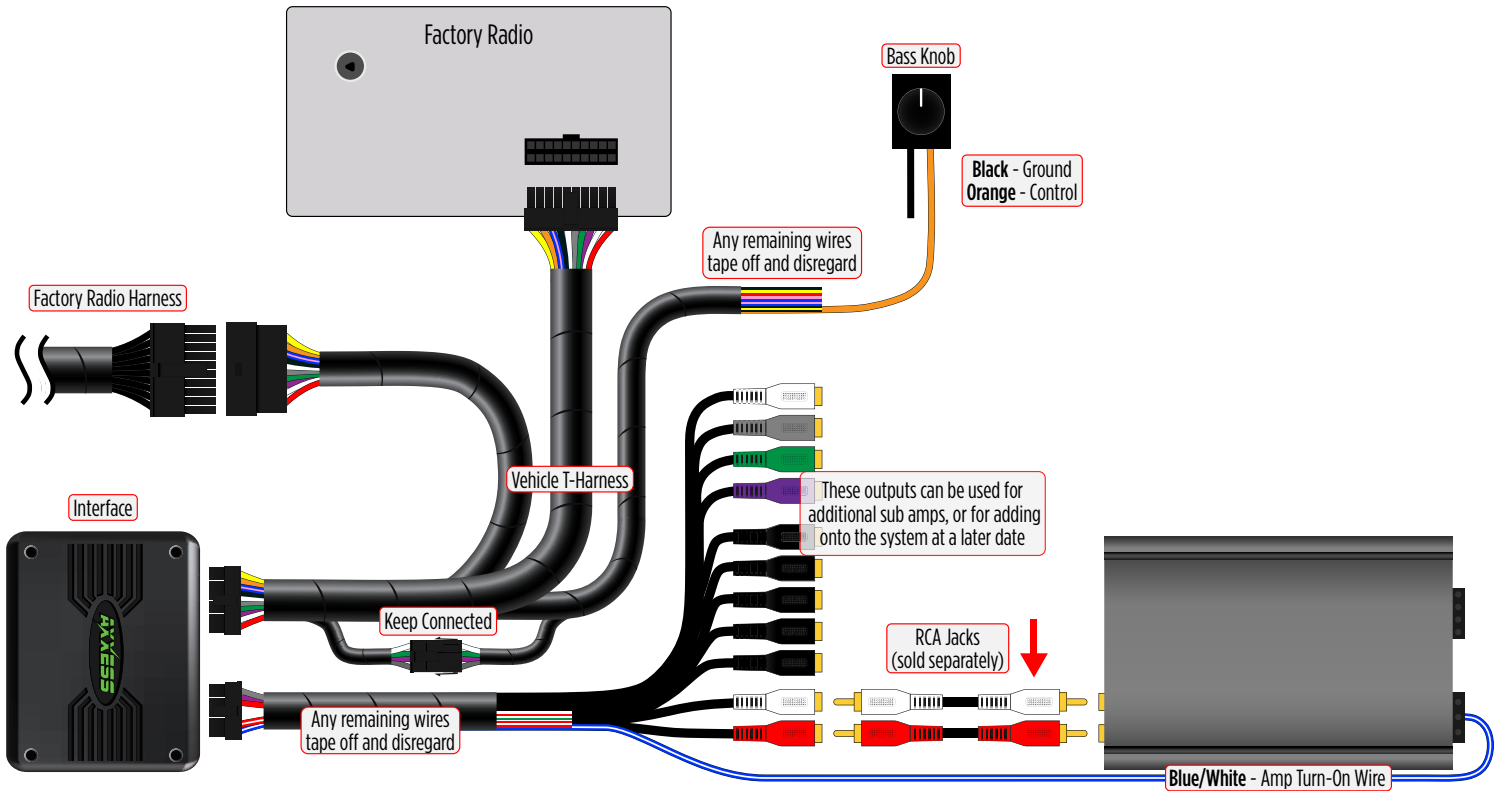
INSTALLATION

1. Remove the factory radio*, then unplug all connectors.
2. Install the **AX-DSPX-GL9 vehicle T-harness** to the vehicle and make all necessary connections, but leave the amp turn-on wire disconnected.
3. Plug the **AX-DSPX-GL9 vehicle T-harness** to the **AX-DSPX-GL9 interface**.
4. Plug the **AX-DSPX-GL9 interface harness** to the **AX-DSPX-GL9 interface**.
5. Download and install the **AXDSP-X app** from the **Google Play Store** or **Apple App Store**.
6. Open the app then select the **Bluetooth® Connection** tab. Follow the instructions to pair the mobile device to the interface. Refer to **Page 5** for more information.
7. Scroll to the **Configuration** tab then select the vehicle type. Press the **Lock Down**** button to save the configuration. Refer to **Page 6** for more information.
8. Connect the amp turn-on wire.
9. Adjust the settings in the app as desired. Press the **Lock Down**** button to save any new configurations.

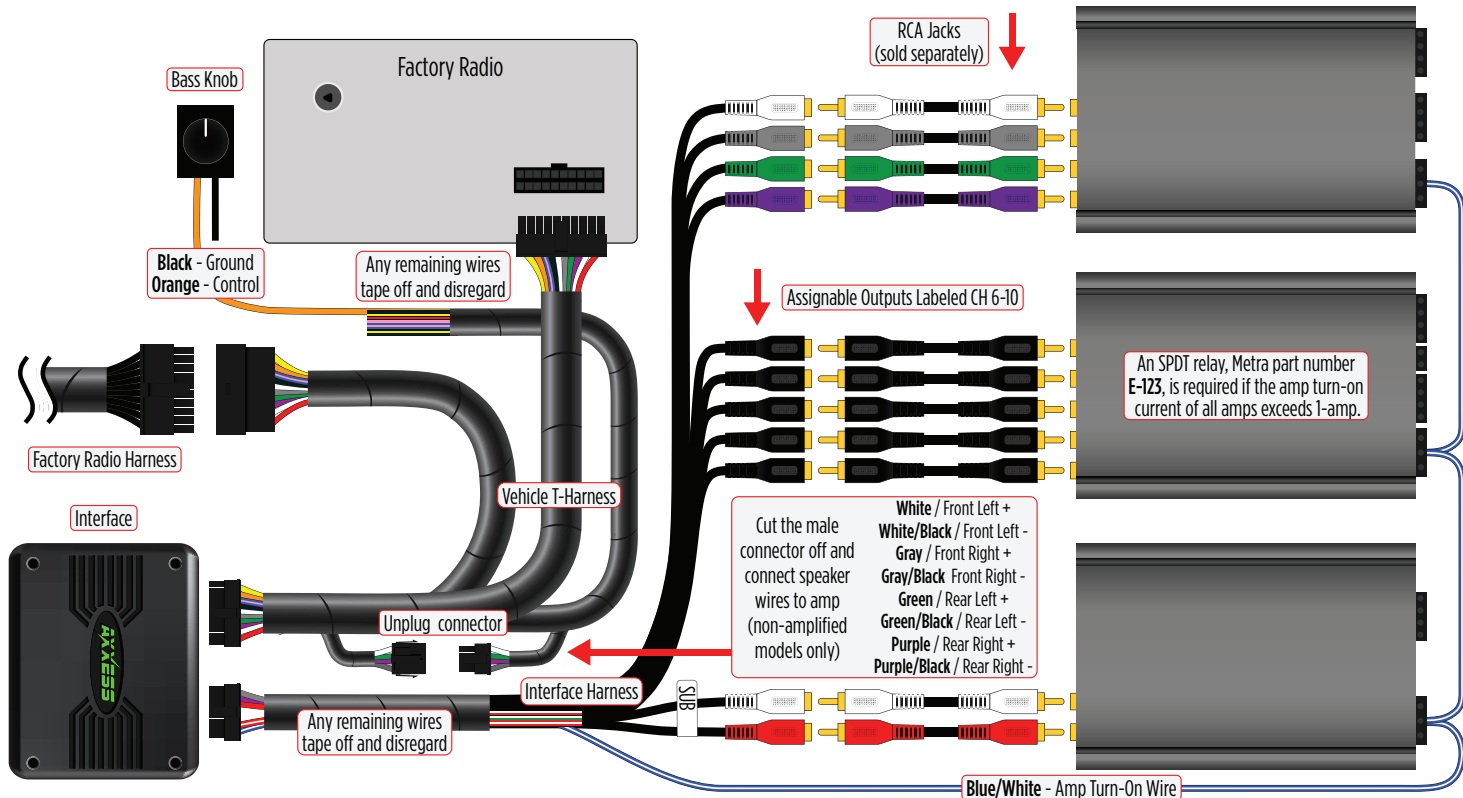
* Refer to metraonline.com for dash disassembly. If Metra makes a dash kit for the vehicle, disassembly will be within those instructions.

** Anytime the interface is locked down the key must be cycled off, then back on.

ADDING A SUBWOOFER TO A FACTORY SYSTEM



ADDING A FULL-RANGE AMP & SUBWOOFER TO A FACTORY SYSTEM



MOBILE APP: QUICK SETUP STEPS THROUGH AXDSP-XL APP

Google Play Store



Apple App Store

iOS 12.1 or higher



1. Download and install the **AXDSP-XL App** from the **Google Play Store** or **Apple App Store**.
2. Turn Vehicle Ignition on. Make sure the Remote Turn On lead is disconnected.
3. Open the app: Select **Bluetooth® Connections** page.
 - Select **Scan**, all available AXDSP devices within range will be displayed. Select your AXDSP and hit connect. (Figure A)
4. Select the Configuration page.
 - Select **Vehicle Type** Icon
 - Select the Vehicle Make: _____ (Example: **CHEVROLET**)
 - Select the Vehicle's model: _____ (Example: **SILVERADO**)
 - Select **With OE Amp** or **Without OE Amp**
 - Hit **Apply** (Figure B)
5. Make sure radio volume is all the way down.
6. Connect the amp turn-on wire from the **AXDSPX-GL9 T-harness** to the aftermarket amplifiers.

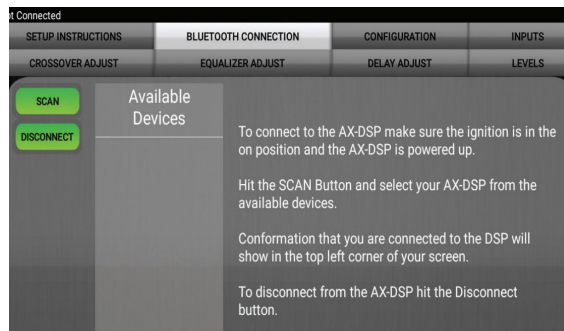


Figure A

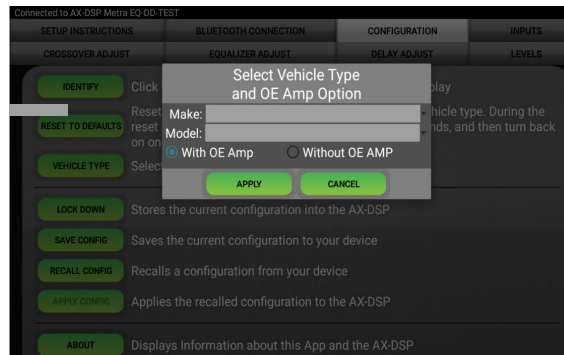


Figure B

- From the **Configuration** page click the **Identify** button to confirm that the **AXDSPX-GL9** is connected properly. If so, a chime will be heard from the front left speaker.
- Press the **Lock Down** button to save the configuration. (Do not turn ignition off until this process is completed) (Figure C)
- Select the **Bluetooth® Configurations** page and disconnect the DSPX.
- Turn ignition off, close all doors, then lock vehicle using the key fob. The vehicle will need to sit uninterrupted for 10 minutes while the vehicle goes to sleep. (Make sure Key fob is 15 feet away from the vehicle)
- Unlock Vehicle, turn ignition on and test radio's functions.
- Adjust the DSP settings in the app as desired. Refer to the instructions under the **Setup Instructions** tab, or online at Axxessinterfaces.com for an explanation of each tab in the app.

Locking Down Data

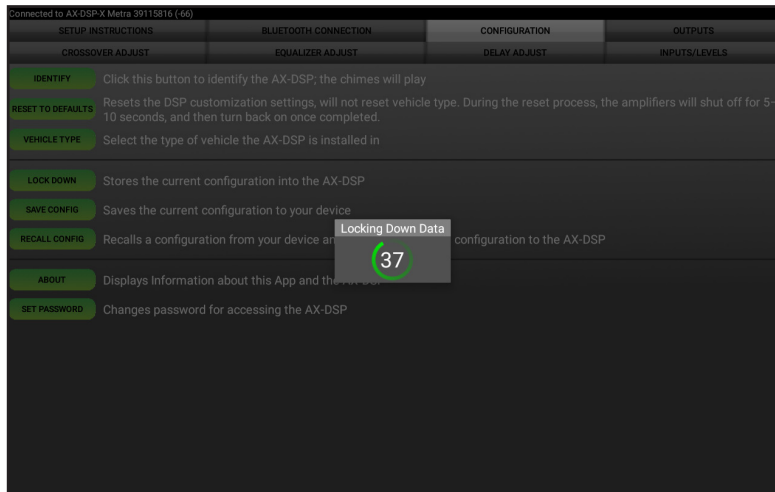


Figure C

**Last and the most important:
You MUST lock down your
configuration and cycle the key!!!**

SPECIFICATIONS

Specifications

Input Impedance	1M Ohm
Input Channels	6 High/Low level Selectable
Input Options	High Level or Low Level
Input Type	Differential-Balanced
Input Voltage: High Level Range	0 - 28 -volts (Peak to Peak)
Input Voltage: Low Level Range	0 - 4.9-volts (Peak to Peak)
Output Channels	10
Output Voltage	Up to 5-volts RMS
Output Impedance	50 Ohms
Equalizer Type	31 Band Graphic EQ, +/- 10dB
THD	<0.03%
Frequency Response	20Hz - 20kHz
Crossover	3-Way LPF, BPF, HPF THP per channel
Crossover Type	Linkwitz-Riley 24DB Slope, Fixed
Sampling	48kHz
S/N Ratio	105dB @ 5-volts RMS

General

Operating Voltage	10 - 16-volts DC
Standby Current Draw	~7mA
Operation Current Draw	~150mA
Adjustments/Controls	Application via Bluetooth®
Remote Output	12-volts DC (Signal Sense or with Ignition)



AXDSPX-GL9

INSTALLATION INSTRUCTIONS

Having difficulties? We're here to help.



Contact our Tech Support line at:

386-257-1187



Or via email at:

techsupport@metra-autosound.com

Tech Support Hours (Eastern Standard Time)

Monday - Friday: 9:00 AM - 7:00 PM

Saturday: 10:00 AM - 5:00 PM

Sunday: 10:00 AM - 4:00 PM



**Metra recommends MECP
certified technicians**