



## GM DSP Interface With Pre-Wired Harness 2019-Up

### INTERFACE FEATURES

- Designed for non-amplified models
- Includes a DSP (Digital Signal Processor)
- 31 Band graphic EQ or 5 Band Parametric EQ
- 10 individually assignable outputs
- Independent equalization on each of the 10 outputs
- Independent high pass, low pass, and bandpass filters
- Each channel can be delayed independently up to 10ms
- Clipping detection and limiting circuits
- Retains factory parking sensor chimes
- Retains OnStar<sup>®</sup> voice prompts
- Adjustable chime level
- Easy behind the radio installation with pre-wired harness
- Bass knob included for level control of subwoofer amp
- Settings adjusted via Bluetooth<sup>®</sup> in a smart device application (tablet or mobile phone), compatible with both Android and Apple devices
- Read, write, and store configurations for future recall
- Password protect feature available in the mobile app
- Micro-B USB updatable

### APPLICATIONS

Visit [axxessinterfaces.com](http://axxessinterfaces.com) for current application list

### TABLE OF CONTENTS

Installation Options .....	2
Installation .....	2
Connections .....	3-4
Mobile App .....	5-14
Specifications .....	15

### INTERFACE COMPONENTS

- AXDSPX-GM30 interface
- AXDSPX-GM30 interface harness
- AXDSPX-GM30 vehicle T-harness
- LD-DSP-RPAD2 • Bass knob

### TOOLS & INSTALLATION ACCESSORIES REQUIRED

- Crimping tool and connectors, or solder gun, solder, and heat shrink
- Tape • Wire cutter • Zip ties • Multimeter

### Google Play Store



### Apple App Store

iOS 12.1 or higher



## INSTALLATION OPTIONS

### Adding a subwoofer to a factory system:

This feature offers the ability to add a subwoofer to a factory system. ([refer to page 3](#))

### Adding a full-range amp & sub to a factory system:

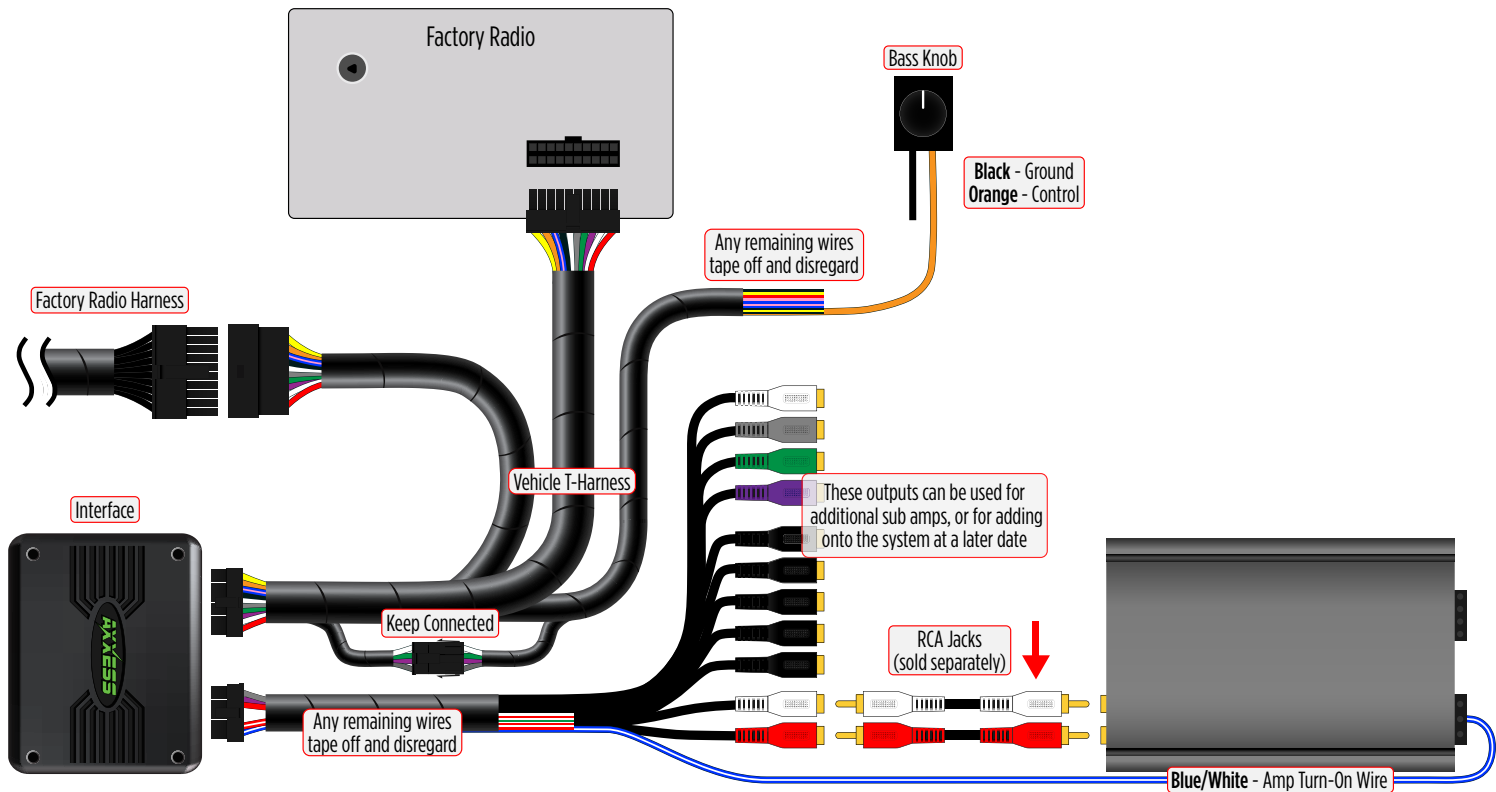
This feature offers the ability to add a full-range amp and sub to a factory system. ([refer to page 4](#))

**Note:** The interface provides a 12-volt 1-amp output to turn on aftermarket amp(s). If installing multiple amps, an SPDT automotive relay will be required if the amp turn-on current of all amps combined exceeds 1-amp. Use Metra part number [E-123](#) (sold separately) for best results.

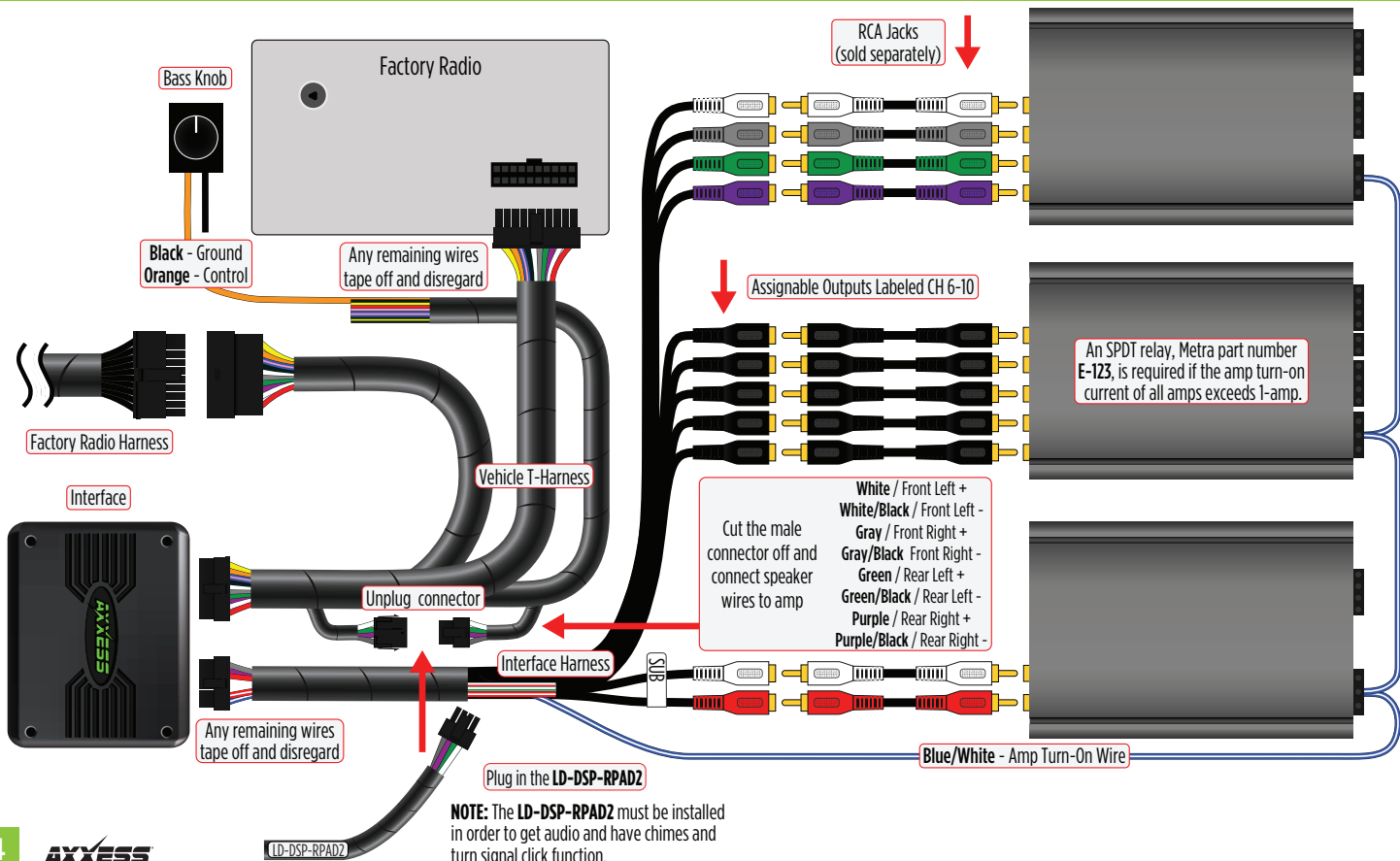
## INSTALLATION

1. Remove the factory radio †, then unplug all connectors.
  2. Install the **AX-DSPX-GM30 vehicle T-harness** to the vehicle and make all necessary connections, but leave the amp turn-on wire disconnected.
  3. Plug the **AX-DSPX-GM30 vehicle T-harness** to the **AX-DSPX-GM30 interface**.
  4. Plug the **AX-DSPX-GM30 interface harness** to the **AX-DSPX-GM30 interface**.
  5. Download and install the AXDSP-X app from the **Google Play Store** or **Apple App Store**.
  6. Open the app then select the **Bluetooth Connection** tab. Follow the instructions to pair the mobile device to the interface. Refer to [page 6](#) for more information.
  7. Scroll to the **Configuration** tab then select the vehicle type. Press the **Lock Down ‡** button to save the configuration. Refer to [page 7](#) for more information.
  8. Connect the amp turn-on wire.
  9. Adjust the settings in the app as desired. Press the **Lock Down ‡** button to save any new configurations.
- † Refer to [Metra online](#) for dash disassembly. If Metra makes a dash kit for the vehicle, disassembly will be within those instructions.
- ‡ Anytime the interface is locked down the key must be cycled off then back on

## ADDING A SUBWOOFER TO A FACTORY SYSTEM



# ADDING A FULL-RANGE AMP & SUB TO A FACTORY SYSTEM



# MOBILE APP

## Setup Instructions

#	Location	Group	Invert	Mute
1	Left Front	Left Front	<input checked="" type="checkbox"/>	<input type="checkbox"/>
2	Right Front	Right Front	<input checked="" type="checkbox"/>	<input type="checkbox"/>
3	Left Rear	Left Rear	<input checked="" type="checkbox"/>	<input type="checkbox"/>
4	Right Rear	Right Rear	<input checked="" type="checkbox"/>	<input type="checkbox"/>
5	Sub Woofer	Rear	<input checked="" type="checkbox"/>	<input type="checkbox"/>
6	Left Front Tweeter	Left Front	<input checked="" type="checkbox"/>	<input type="checkbox"/>
7	Right Front Tweeter	Right Front	<input checked="" type="checkbox"/>	<input type="checkbox"/>
8	Not Used	None	<input type="checkbox"/>	<input type="checkbox"/>
9	Not Used	None	<input type="checkbox"/>	<input type="checkbox"/>
10	Not Used	None	<input type="checkbox"/>	<input type="checkbox"/>

**Amp Turn On**  
 Signal Sense  Always On  
Turn On Delay: 0 Sec. 0  10

The AMP ON line can be turned on whenever accessory power is on, or only when a signal is detected from the radio.

- General information tab for installing the interface.

*Continued on the next page*

## Bluetooth Connection



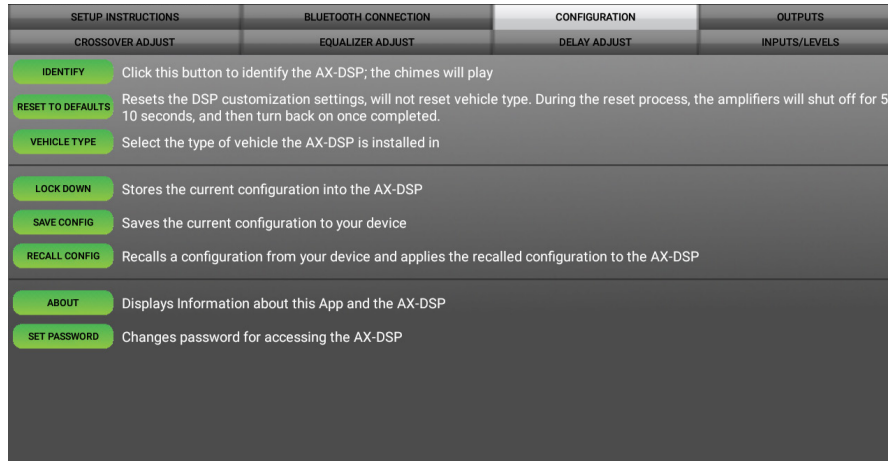
- **Scan** - Press this button to start the Bluetooth pairing process, then select the interface once it is found. "Connected" will appear in the top left corner of the app once paired.

**Note:** The ignition must be cycled on during this process.

- **Disconnect** - Disconnects the interface from the app.

*Continued on the next page*

## Configuration



- **Identify** - Click this button to send a test tone to the front left speaker\*.  
\* Only installations using the front left output (white RCA jack).
- **Reset to Defaults** - Resets the interface to factory settings. During the reset process the amp(s) will shut off for 5-10 seconds.
- **Vehicle Type** - Select the vehicle type from the drop down box, then click the apply button.
- **Lock Down** - Click this button to save the selected settings.  
**Attention!** This must be done before closing the app or cycling the key otherwise all new changes will be lost!

- **Save Configuration** - Saves the current configuration to the mobile device.
- **Recall Configuration** - Recalls a configuration from the mobile device.
- **About** - Displays information about the app, vehicle, interface, and mobile device.
- **Set Password** - Assign a 4-digit password to lock the interface. If no password is desired, use "0000". This will clear out any currently set password. It is not necessary to lock down the interface when setting a password.  
**Note:** A 4-digit only password must be chosen otherwise the interface will show "password not valid for this device".

*Continued on the next page*

## Outputs

SETUP INSTRUCTIONS		BLUETOOTH CONNECTION		CONFIGURATION		OUTPUTS	
CROSSOVER ADJUST		EQUALIZER ADJUST		DELAY ADJUST		INPUTS/LEVELS	
<u>Output Channels</u>							
#	Location	Group					
1	Left Front	None	<input type="checkbox"/> Invert	<input type="checkbox"/> Mute			
2	Right Front	None	<input type="checkbox"/> Invert	<input type="checkbox"/> Mute			
3	Left Rear	None	<input type="checkbox"/> Invert	<input type="checkbox"/> Mute			
4	Right Rear	None	<input type="checkbox"/> Invert	<input type="checkbox"/> Mute			
5	Sub Woofer	None	<input type="checkbox"/> Invert	<input type="checkbox"/> Mute			
6	Not Used	None	<input type="checkbox"/> Invert	<input type="checkbox"/> Mute			
7	Not Used	None	<input type="checkbox"/> Invert	<input type="checkbox"/> Mute			
8	Not Used	None	<input type="checkbox"/> Invert	<input type="checkbox"/> Mute			
9	Not Used	None	<input type="checkbox"/> Invert	<input type="checkbox"/> Mute			
10	Not Used	None	<input type="checkbox"/> Invert	<input type="checkbox"/> Mute			

### Output Channels

- **Location** - Location of speaker.
- **Group** - Used to join channels together for simple equalization. Example, left front woofer/ midrange and left front tweeter will be considered simply left front. The letter **M** indicates the speaker assigned as the master speaker.
- **Invert** - Will invert the phase of the speaker.
- **Mute** - Will mute desired channel(s) for tuning individual channels.

*Continued on the next page*



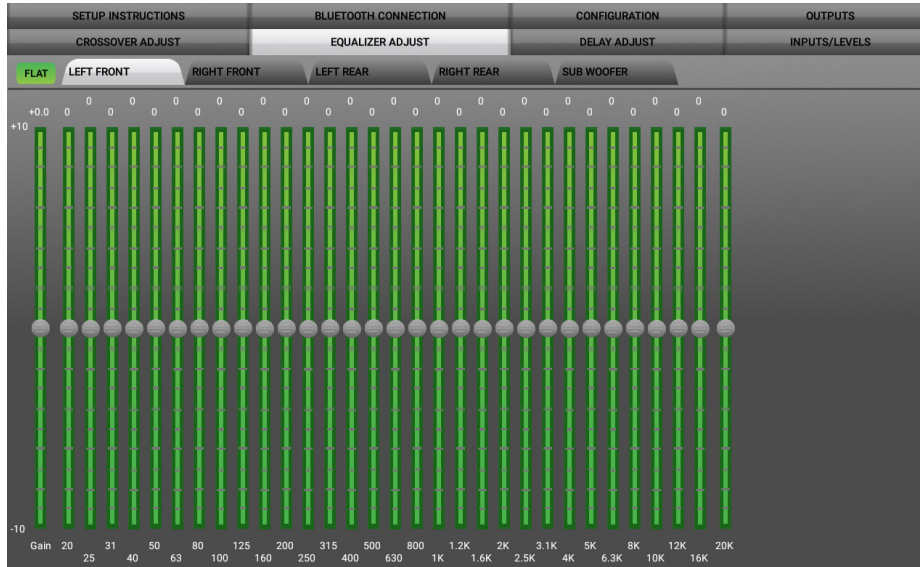
## Crossover Adjust



- If installing a subwoofer, the front and rear outputs will default to a 100Hz high pass filter to keep the low frequency signals out. If a subwoofer is not being installed, change the front and rear crossover points down to 20Hz for a full range signal, or to the lowest frequency the speakers will play down to.
- Selecting **High Pass** and **Low Pass** will provide one crossover frequency adjustment. Selecting **Band Pass** will provide two crossover frequency adjustments, one for low pass, and one for high pass.

*Continued on the next page*

## Equalizer Adjust

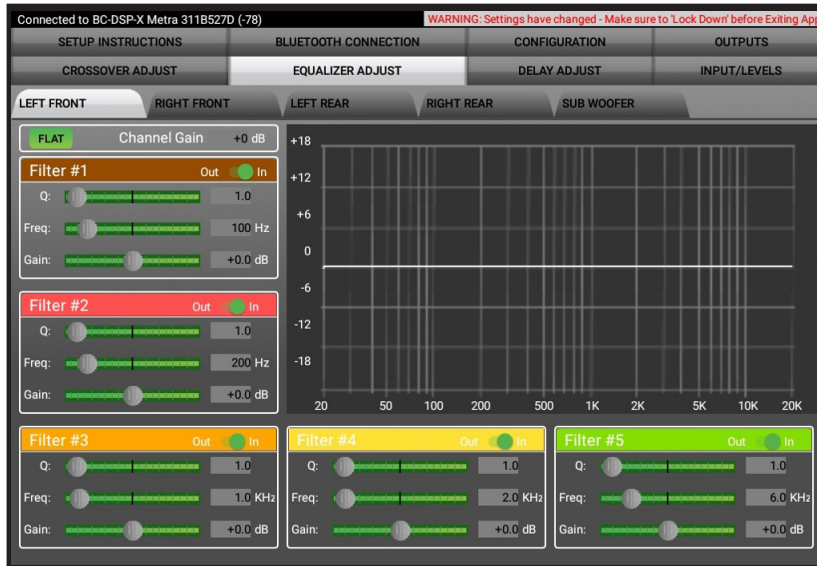


### Graphic Equalizer

- All channels can be adjusted independently within this tab with 31 bands of available equalization. It is best to tune this by using an RTA (Real Time Analyzer).
- The **Gain** slider on the far left is for the channel selected.

*Continued on the next page*

## Parametric EQ



Each output has a **5 Band parametric EQ** per channel. Each band will give the user the ability to adjust:

- Q Factor
- Frequency
- Gain

The **FLAT** button above **Filter #1** will reset all curves back to flat.

*Continued on the next page*

## Delay Adjust

SETUP INSTRUCTIONS	BLUETOOTH CONNECTION	CONFIGURATION	OUTPUTS
CROSSOVER ADJUST	EQUALIZER ADJUST	DELAY ADJUST	INPUTS/LEVELS

Distance from each speaker to 'Head' position (in inches)

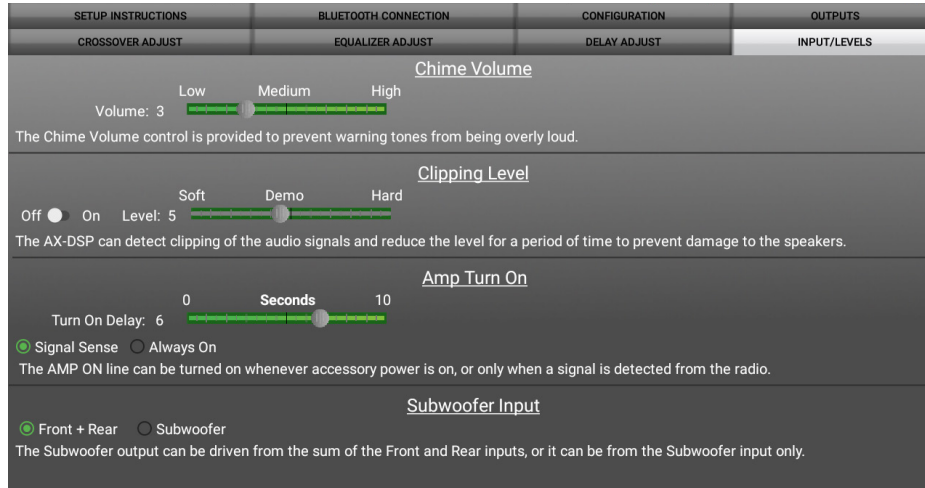
Left Front	0
Right Front	0
Left Rear	0
Right Rear	0
Sub Woofer	0

Measure the distance from each speaker to the desired 'Head' position and enter those values in the corresponding boxes. Maximum distance is 99".

- Allows a delay of each channel. If a delay is desired, first measure the distance (in inches) from each speaker to the listening position, then enter those values to the corresponding speaker. Add (in inches) to the desired speaker to delay it.

*Continued on the next page*

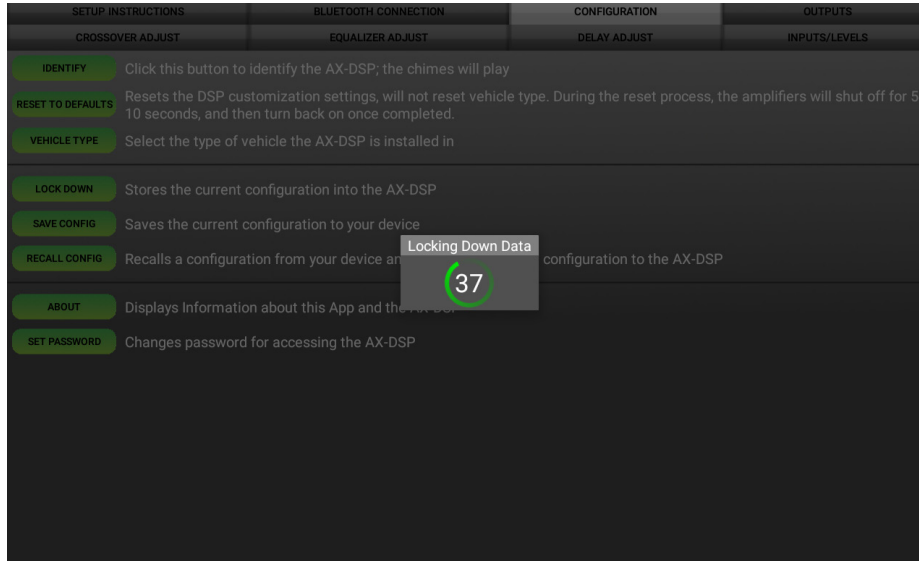
## Inputs/Levels



- **Chime Volume** - Allows the chime volume to be adjusted up or down.
- **Clipping Level** - Use this feature to protect sensitive speakers like tweeters from being driven past their capabilities. If the output signal of the interface clips the audio will be reduced by 20dB. Turning down the stereo will allow the audio to come back at a normal level. The sensitivity of this feature can be adjusted to the listening preference of the user.
- **Amp Turn On**
  - **Signal Sense** - Will turn the amp(s) on when an audio signal is detected, and keep on for 10 seconds after the last signal. This ensures the amp(s) won't shut off between tracks.
  - **Always On** - Will keep the amp(s) on as long as the ignition is cycled on.
  - **Turn on Delay** - Can be used to delay audio output to avoid turn-on pops.
- **Subwoofer Input** - Select **Front + Rear**

*Continued on the next page*

## Locking Down Data



**Last and the most important:  
You must lock down your  
configuration and cycle the key!!!**

## SPECIFICATIONS

Input Impedance	1M Ohm	Operating Voltage	10-16 volts DC
Input Channels	6	Standby Current Draw	7mA
Input Options	High Level or Low Level	Operation Current Draw	150mA
Input Type	Differential balanced	Adjustments/Controls	Application via Bluetooth
Input Voltage (high level range)	0 - 28-volts (peak-to-peak)	Remote Output	12 volts DC (signal sense or with ignition)
Input Voltage (low level range)	0 - 4.9-volts (peak-to-peak)		
Output Channels	10		
Output Voltage	Up to 5-volts RMS		
Output Impedance	50 Ohms		
Equalizer Type	31 Band Graphic EQ, +/- 10dB		
THD	<0.03%		
Frequency Response	20Hz - 20kHz		
Crossover	3-Way LPF, BPF, HPF THP per channel		
Crossover Type	Linkwitz-Riley 24db slope		
Sampling	48kHz		
S/N Ratio	105dB @ 5-volts RMS		



# AXDSPX-GM30

INSTALLATION INSTRUCTIONS

Having difficulties? We're here to help.



Contact our Tech Support line at:

**386-257-1187**



Or via email at:

[techsupport@metra-autosound.com](mailto:techsupport@metra-autosound.com)

### Tech Support Hours (Eastern Standard Time)

Monday - Friday: 9:00 AM - 7:00 PM

Saturday: 10:00 AM - 5:00 PM

Sunday: 10:00 AM - 4:00 PM



**Metra recommends MECP  
certified technicians**