



INTERFACE COMPONENTS

- AXDSP-X interface
- AXBK-1 (bass knob)
- AXDSPX-HK2 harness
- LD-DSP-HYKIAZ-2 harness
- Amplifier bypass harness

Hyundai/Kia Data Interface with Amplifier Bypass Harness & DSP 2011-2016

Visit AxxessInterfaces.com for more detailed information about the product and up-to-date vehicle specific applications.

INTERFACE FEATURES

- Designed for SPDIF amplified sound systems
- Includes an amp bypass harness
- Retains BlueLink/UVO voice prompts
- All chimes/voice prompts go through the aftermarket amp
- Adjustable chime level
- Micro-B USB updatable

MetraOnline.com may be used to assist with dash assembly instructions. Simply enter your Year, Make, Model vehicle into the vehicle fit guide and look for the Dash Kit Installation Instructions.

www.MetraOnline.com



TABLE OF CONTENTS

Connections.....	2
Installation	3
Mobile App.....	4-5
Specifications /Speaker Assignment QR code.....	6

TOOLS & INSTALLATION ACCESSORIES REQUIRED

- Crimping tool and connectors, or solder gun, solder, and heat shrink
- Tape
- Wire cutter
- Zip ties
- Tone generator

Google Play Store



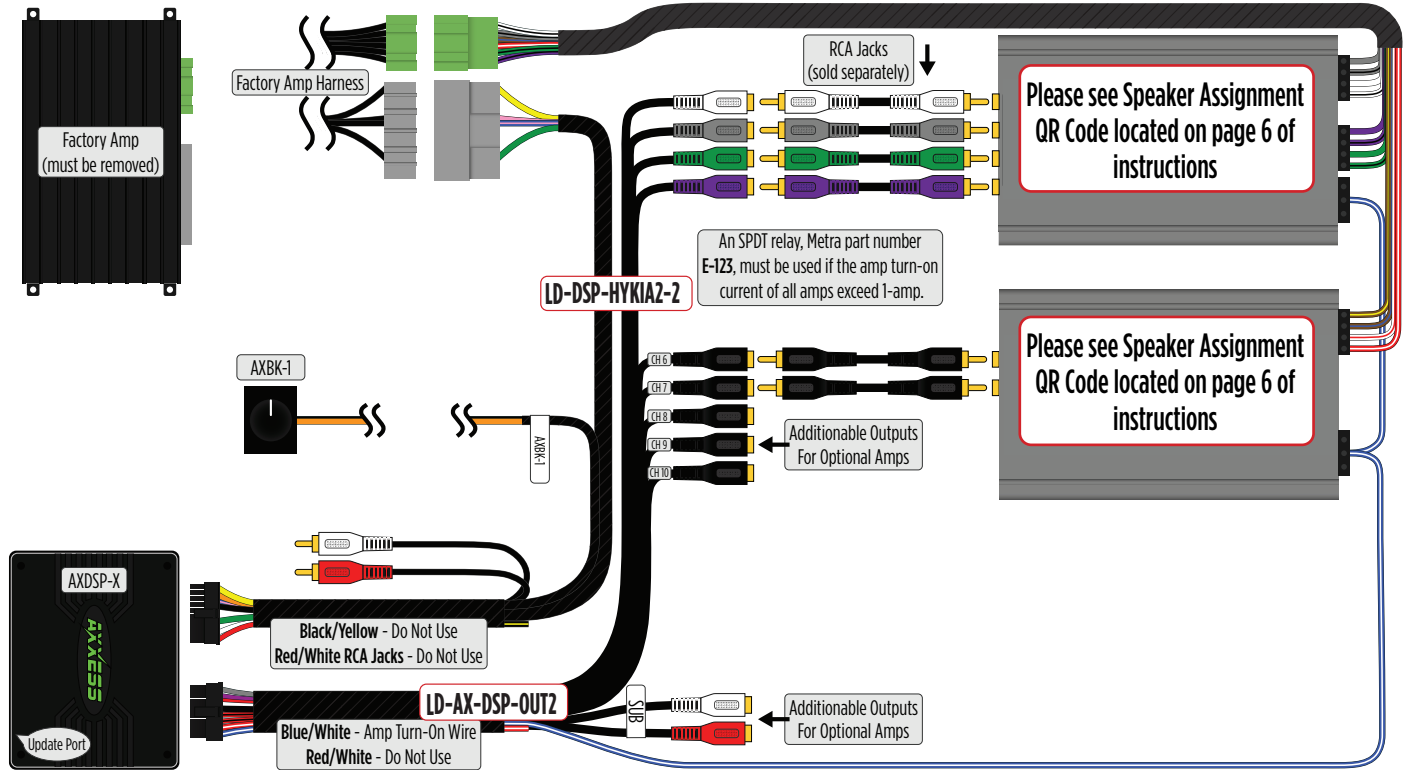
Apple App Store

iOS 12.1 or higher



ATTENTION: With the key out of the ignition, disconnect the negative battery terminal before installing this product. Ensure that all installation connections, especially the air bag indicator lights, are plugged in before reconnecting the battery or cycling the ignition to test this product.
NOTE: Refer also to the instructions included with the aftermarket radio.

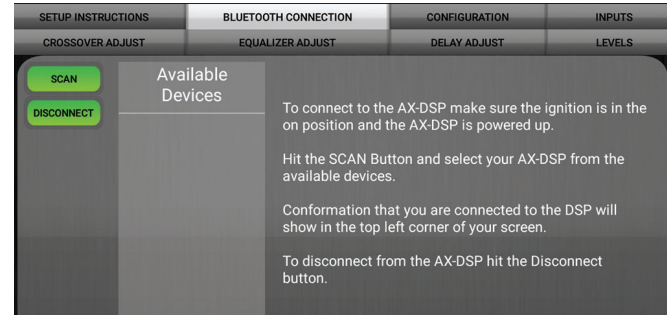
CONNECTIONS



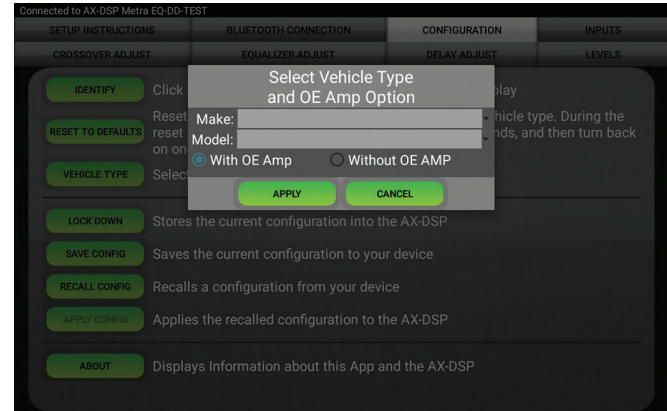
INSTALLATION

1. Locate the factory amp, unplug all connectors, then remove the amp.
Note: Amp location is on the following page.
2. Install the **AXDSPX-HK2 harness** and make all necessary connections, but leave the amp turn-on wire disconnected.
3. Plug the 16-pin and 20-pin connectors from the **AXDSPX-HK2 harness** into the **AXDSP-X**.
4. Download and install the AXDSP-X app from the **Google Play Store** or **Apple App Store**.
5. Open the app and follow the instructions on the **Bluetooth Connection** tab to pair the mobile device to the AXDSP-X. (Figure A)
6. Scroll to the **Configuration** tab then select the vehicle type. Press the **Lock Down** button to save the configuration. (Figure B)
7. Connect the amp turn-on wire from the **AXDSPX-HK2 harness**. Click the **Identify** button to confirm that the AXDSPX-HK2 is connected properly. If so, a chime will be heard from the front left speaker. Test all functions of the installation for proper operation.
Note: The outputs may need to be configured within the **Outputs** tab.
8. Adjust the DSP settings in the app as desired. Refer to the instructions under the **Setup Instructions** tab, or online at Axxessinterfaces.com for an explanation of each tab in the app.

Continued on the next page



(Figure A)



(Figure B)

QUICK SETUP STEPS THROUGH AXDSP-XL APP

Google Play Store

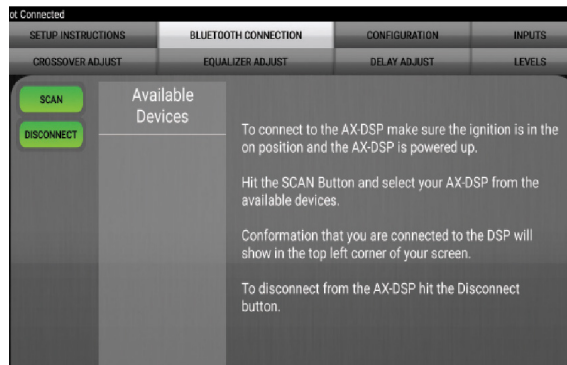


Apple App Store

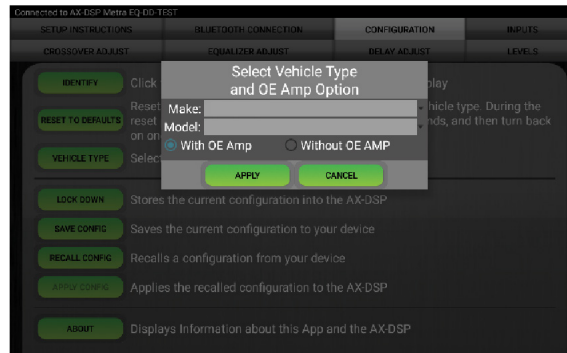
iOS 12.1 or higher



1. Download and install the AXDSP-XL app from the **Google Play Store** or **Apple App Store**.
2. Turn Vehicle Ignition on. Make sure the Remote Turn on lead is disconnected.
3. Open the app: Select **Bluetooth Connections** page.
 - Select **Scan**, all available AXDSP devices within range will be displayed. Select your AXDSP and hit connect. (Figure A)
4. Select the Configuration page.
 - Select **Vehicle Type** Icon
 - Select the Vehicle Make: ____ (Example: **Hyundai**)
 - Select the Vehicle's model: ____ (Example: **Genesis**)
 - Select **With OE Amp**
 - Hit **Apply** (Figure B)
5. Make sure radio volume is all the way down.
6. Connect the amp turn-on wire from the **AXDSPX-HK2 harness** to the aftermarket amplifiers.



(Figure A)

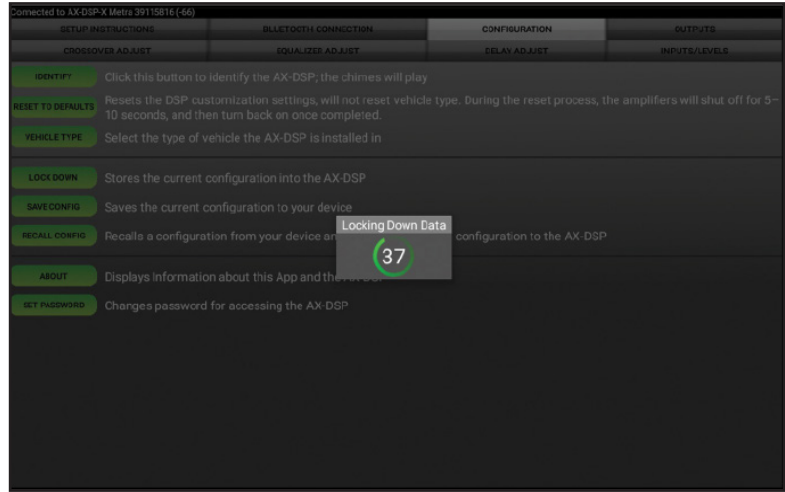


(Figure B)

QUICK SETUP STEPS THROUGH AXDSP-XL APP (CONT.)

- From the **Configuration** page click the **Identify** button to confirm that the **AXDSPX-HK2** is connected properly. If so, a chime will be heard from the front left speaker.
- Press the **Lock Down** button to save the configuration. (Do not turn ignition off until this process is completed) (Figure C)
- Select the **Bluetooth Configurations** page and disconnect the DSPX.
- Turn ignition off, close all door then lock vehicle using the key fob. The vehicle will need to sit uninterrupted for 10 minutes while the vehicle goes to sleep. (Make sure Key fob is 15 feet away from the vehicle)
- Unlock Vehicle, turn ignition on and test radio's functions.
- Adjust the DSP settings in the app as desired. Refer to the instructions under the **Setup Instructions** tab, or online at Axxessinterfaces.com for an explanation of each tab in the app.

Locking Down Data



(Figure C)

Last and the most important:
**You MUST lock down your
configuration and cycle the key!!!**

SPECIFICATIONS

Input Impedance	1M Ohm	THD	<0.03%
Input Channels	6	Frequency Response	20Hz - 20kHz
Input Options	High Level or Low Level	Crossover	3-Way LPF, BPF, HPF THP per channel
Input Type	Differential balanced	Crossover Type	Linkwitz-Riley 24db slope
Input Voltage (high level range)	0 - 28-volts (peak-to-peak)	Sampling	48kHz
Input Voltage (low level range)	0 - 4.9-volts (peak-to-peak)	S/N Ratio	105dB @ 5-volts RMS
Output Channels	10	Operating Voltage	10-16 volts DC
Output Voltage	Up to 5-volts RMS	Standby Current Draw	7mA
Output Impedance	50 Ohms	Operation Current Draw	150mA
Equalizer Type	31 Band Graphic EQ, +/- 10dB	Adjustments/Controls	Application via Bluetooth
		Remote Output	12 volts DC (signal sense or with ignition)

Speaker Assignment



Visit [AxxessInterfaces.com](https://www.axxessinterfaces.com) for more detailed information about the product and up-to-date vehicle specific applications





AXDSPX-HK2

INSTALLATION INSTRUCTIONS

Having difficulties? We're here to help.



Contact our Tech Support line at:
386-257-1187



Or via email at:
techsupport@metra-autosound.com

Tech Support Hours (Eastern Standard Time)

Monday - Friday: 9:00 AM - 7:00 PM

Saturday: 10:00 AM - 5:00 PM

Sunday: 10:00 AM - 4:00 PM



**Metra recommends MECP
certified technicians**