



Jeep Wrangler JL 2018.5-2023 (Excluding 4XE Models)

Note: This kit will function in both Single-Zone and Dual-Zone vehicles:

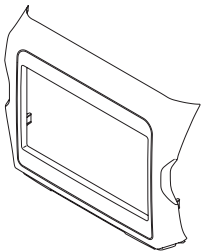
- All HVAC functions will be retained.
- Single-Zone vehicles will only get status feedback of the HVAC functions, while Dual-Zone vehicles can also be controlled through the radio screen.
- Compass is only retained on vehicles equipped with the UConnect 3 (5" touchscreen).
- The External Speaker is only required in vehicles with safety group features.

Attention! Designed specifically for Pioneer's DMH-W4600NEX/WC4660NEX. Pioneer 9" DMH-WC6600NEX will require the Metra Floating Mount Kit **109-UN02**. (sold separately)

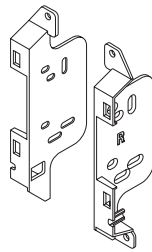
KIT COMPONENTS

- A) Radio bezel • B) Shallow mount brackets (2) • C) Modular radio brackets (2) • D) Panel clips (4)

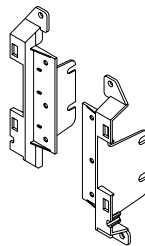
A



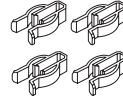
B



C



D



Product Info



TABLE OF CONTENTS

Dash Disassembly	2
Kit Assembly	
- Radio Provision	2
- Pioneer Modular DDIN Radio Provision	3
Axxess Interface Installation	4-16

Visit [AxxessInterfaces.com](https://www.AxxessInterfaces.com) for up-to-date vehicle specific applications.

WIRING & ANTENNA CONNECTIONS

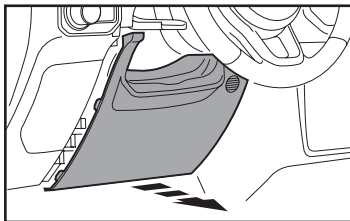
- Wiring Harness: Included with Kit
- Antenna Adapter: Included with Kit
- GPS Antenna Adapter: Included with Kit

TOOLS & INSTALLATION ACCESSORIES REQUIRED

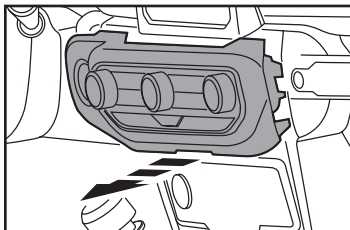
- Panel removal tool • Phillips screwdriver
- Torx screwdrivers

DASH DISASSEMBLY

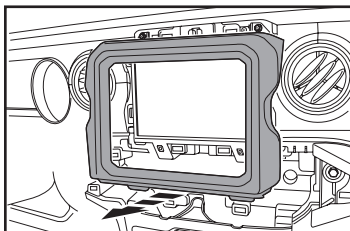
1. Unsnap and remove the panel below the steering column. (Figure A)
2. Using the panel removal tool, carefully unclip the climate control panel, unplug the HVAC and start/stop button, and then set aside. (Figure B)
3. Remove (2) Phillips screws securing the radio trim panel, then, starting at the bottom, unclip and remove the panel. (Figure C)
4. Remove (4) Phillips screws securing the factory radio, disconnect the wiring, and then remove the radio.



(Figure A)



(Figure B)

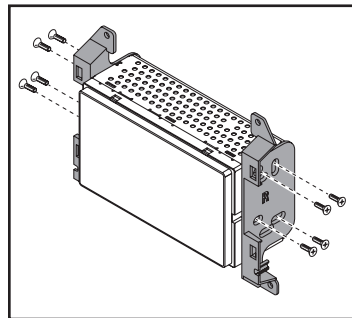


(Figure C)

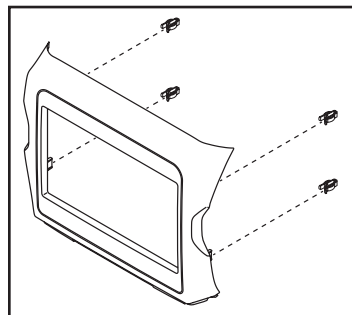
KIT ASSEMBLY

Radio provision

1. Secure the *shallow radio brackets* to the radio using screws supplied with the radio. (Figure A)
2. Locate the factory wiring harness and antenna connector in the dash and complete all necessary connections to the radio. Metra recommends using the proper mating adapter from Metra and/or Axxess.
3. Reconnect the negative battery terminal and test the Pioneer radio for proper operation.
4. Place the radio into the dash, then secure using the factory screws.
5. Attach (4) *panel clips* provided with this kit onto the *radio bezel*, and then snap the bezel over the radio. (Figure B)
6. Reassemble the dash in the reverse order of disassembly to complete the installation.



(Figure A)



(Figure B)

KIT ASSEMBLY

Pioneer Modular DDIN radio provision

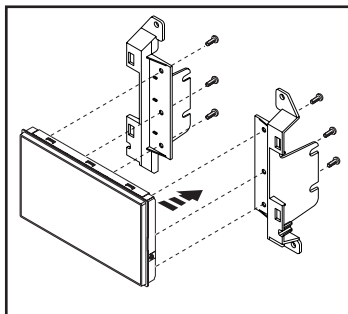
1. Secure the radio display to the *modular radio brackets* using (6) screws supplied with the radio. (Figure A)

Note: Reference the aftermarket radio's installation manual to determine which screws secure the radio display.

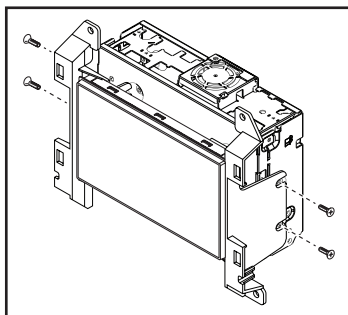
2. Secure the radio chassis to the radio display/bracket assembly using (4) screws supplied with the radio. (Figure B)

Note: Reference the aftermarket radio's installation manual to determine which screws secure the radio chassis.

3. Route the RGB extension cable from the radio chassis to the display screen, then connect the cable to the display screen.

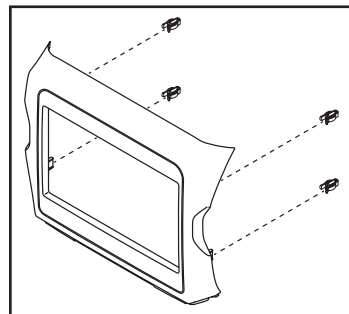


(Figure A)



(Figure B)

4. Locate the factory wiring harness and antenna connector in the dash and complete all necessary connections to the radio. Metra recommends using the proper mating adapter from Metra and/or Axxess.
5. Reconnect the negative battery terminal and test the Pioneer radio for proper operation.
6. Place the radio display into the dash, and then secure using the factory screws.
7. Attach (4) *panel clips* provided with this kit onto the *radio bezel*, then snap the bezel over the radio. (Figure C)
8. Reassemble the dash in the reverse order of disassembly to complete the installation.



(Figure C)

AXXESS INTERFACE INSTALLATION

FEATURES

- Provides accessory power (12-volt 10-amp)
- Retains R.A.P. (retained accessory power)
- Provides NAV outputs (parking brake, reverse, speed sense)
- Allows visual of HVAC and gauges on Pioneer screen
- Allows adjustment of HVAC functions through Pioneer screen
- Retains audio controls on the steering wheel
- Allows for auto stop/start override (if equipped)
- Works in both Single and Dual-zone vehicles
- Retains safety chimes (speaker sold separately)
- Designed for amplified or non-amplified vehicles
- Micro-B USB updatable
- Allows the retention and adjustment of the OE Personalization Settings
- Plug-n-Play installation
- Designed for Pioneer's DMH-W4600NEX/WC4660NEX
- Painted scratch resistant matte black to match the OE finish
- Includes radio antenna adapter & antenna adapter for GPS
- Includes water resistant -IP68 rated direct OE camera replacement
- Includes a 3' USB/AUX/HDMI® replacement cable with panel

COMPONENTS

- LD-CH5-PIO • LD-CHRYHAZT • LD-2PIN-CAN
- Radio interface • Jeep Camera (JP-JLKT) • PR04AVIC-PIO or PR04-PIORCA Harness
- External Speaker • AXUSB-RAM1

TABLE OF CONTENTS

AXUSB-RAM1 Installation	5
Camera Removal.....	6-8
Camera Assembly	9
Wiring.....	10
USB replacement & Camera Installation.....	11
Interface Installation	12
Dash Assembly.....	13
Radio Operation.....	14-15
Specifications.....	16

TOOLS REQUIRED

- Crimping tool and connectors, or solder gun, solder, and heat shrink
- Tape • Wire cutter • Zip-ties

AXUSB-RAM1 INSTALLATION

1. Remove (1) Phillips screw located above the window switches. (Figure A-1, B-1)
2. Using a panel removal tool, unclip the entire instrument panel trim. (Figure B-2)
3. Disconnect the wiring harness connector, then unclip and remove the Media Hub from the backside of the panel. (Figure C-1)

4. Plug in the AXUSB-RAM1 and route the harness to the radio location.

Note: A Micro HDMI to HDMI cable (sold separately) is necessary, if HDMI input is desired.

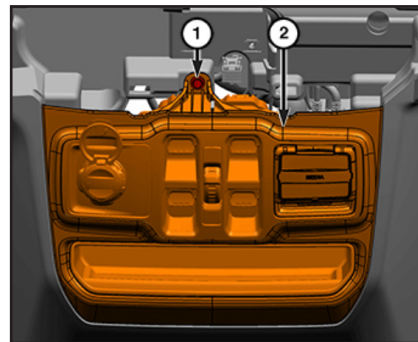
Attention! USB Type-C adapter may be necessary. This is supplied with the Pioneer Radio.

Note: Refer to the Pioneer Radio installation manual.

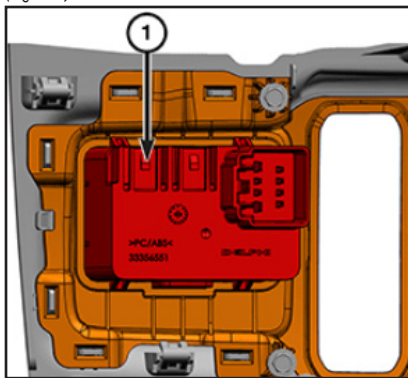
5. Once the AXUSB-RAM1 is installed, this portion of the dash can be reassembled.



(Figure A)



(Figure B)



(Figure C)

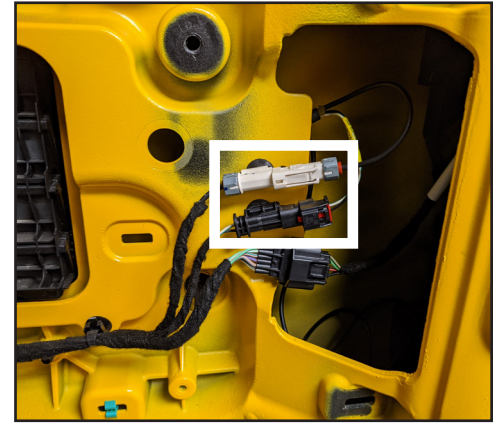
CAMERA REMOVAL

1. Using the panel removal tool, carefully unclip and remove the interior panel. (Figure A)
2. Disconnect the (2) smaller connectors shown. (Figure B)
3. Pop out the grommet behind the (2) connectors and run the harness outside to allow easier access when removing the spare tire mount from the tailgate.

Note: Retain this harness, as it will still be needed for the third brake light.



(Figure A)



(Figure B)

CAMERA REMOVAL (CONT)

1. Remove the bolts holding the tire onto the spare tire mount.
2. Remove (4) 14mm bolts from the spare tire mount, where indicated. (Figure A)
3. Disconnect any wiring and remove the spare tire mount from the tailgate.
4. Remove (2) T-25 Torx screws to release the camera mount from the spare tire mount. (Figure B)



(Figure A)



(Figure B)

CAMERA REMOVAL (CONT)

- Using the (3) bolts shown, push down on the bolts and up on the mount to dislodge the camera mount from the back of the spare tire mount. (Figure A)
Note: Some force may be required.
- Once the camera mount is removed, extract (3) T-8H torx screws and remove the camera from the mount. (Figure B)
- Unplug the camera from the spare tire harness and keep the harness.
Note: Retain this harness, as it will still be needed for the third brake light.
- Tape back and secure the camera connector, in case the factory camera needs to be put back in.



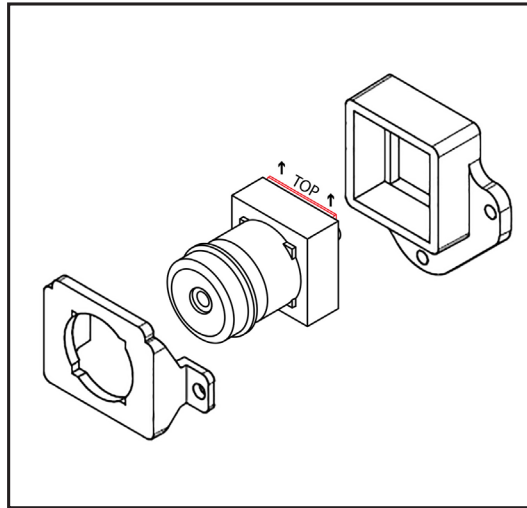
(Figure A)



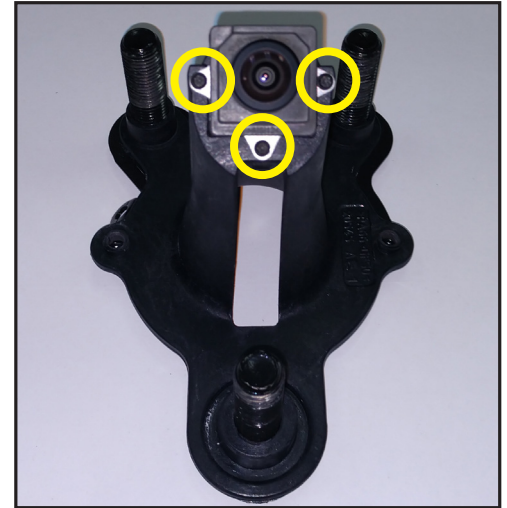
(Figure B)

CAMERA ASSEMBLY

1. Place the camera between the front and rear housings. (Figure A)
Note: Make sure the camera is properly positioned, using the small top ledge as an indicator.
2. Place the camera mount back into the spare tire mount using the factory screws or (3) stainless steel screws provided with the iBeam kit. (Figure B)
3. Connect the wiring and reassemble the spare tire mount back onto the tailgate following the camera removal steps in reverse.



(Figure A)



(Figure B)

WIRING

1. After reassembling the spare tire bracket, plug the brake harness back into the tailgate and run the wire through the tailgate using zip-ties. Follow the current run of the wiring in the tailgate to make sure the panel will fit properly once the wires are run.
2. Run the wire through the truck bed and into the vehicle.
3. Once inside the vehicle, power the camera via a reverse trigger from the taillight.
 - a) Connect the **RED** wire to the reverse trigger.
Note: There is a **RED** wire located at the opposite end of the harness with the **YELLOW** RCA, if the user wants the camera powered with an accessory circuit.
 - b) Connect the **BLACK** wire to a chassis ground.
4. Run the wire down the length of the vehicle carefully.
Attention: Make sure not to run the wire near any objects that emit extreme heat or could catch or pinch the wire.

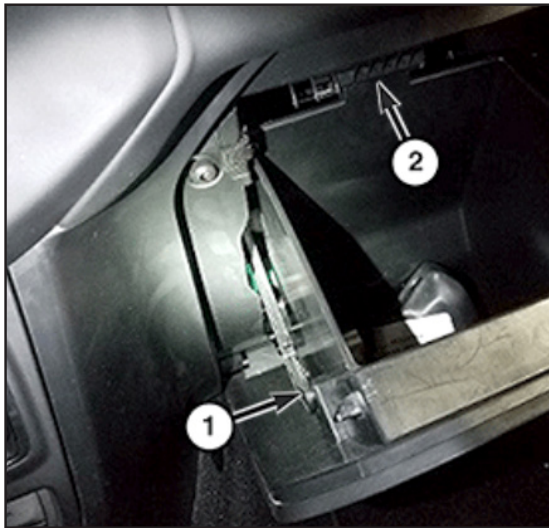


USB REPLACEMENT & CAMERA INSTALLATION

If power is required for the camera, the connection must be hardwired:

- This can be done at the radio using the **Red** wire for power, and the **Black** wire for ground.
- The **Black** Ground wire from the camera will have to be extended and routed to the front with the video RCA. (Figure A)

Note: Remove the glovebox to route the camera RCA to the dash.



(Figure A)

If equipped with TPMS, and you wish to add the visual to the Pioneer Radio screen:

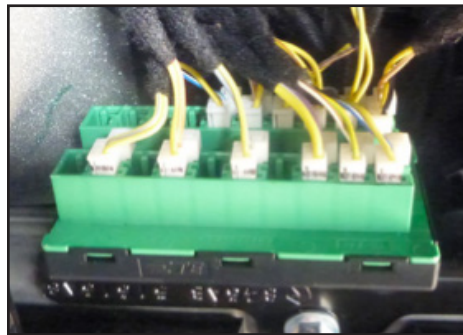
- Route the LD-CAN3T harness behind the glovebox and connect to the junction pictured below. Any available spot can be used. If no spots are available, unplug one of the 2-pin connectors and connect to the other end of the LD-CAN3T. This will connect to the LD-CH5-PIO 2-Pin labeled "CAN 3".

If you do NOT have the LD-CAN3T:

- Connect **Brown/White** from the LD-2PIN-CAN to one of the 2-pins **Yellow** wire, then **Brown** to the other wire in the 2-Pin. This will connect to the LD-CH5-PIO 2-Pin labeled "CAN 3".

Brown/White = CAN LOW **Brown** = CAN High

Note: The glovebox must be removed to access this connection. Refer to photo for connection point. (Figure B)



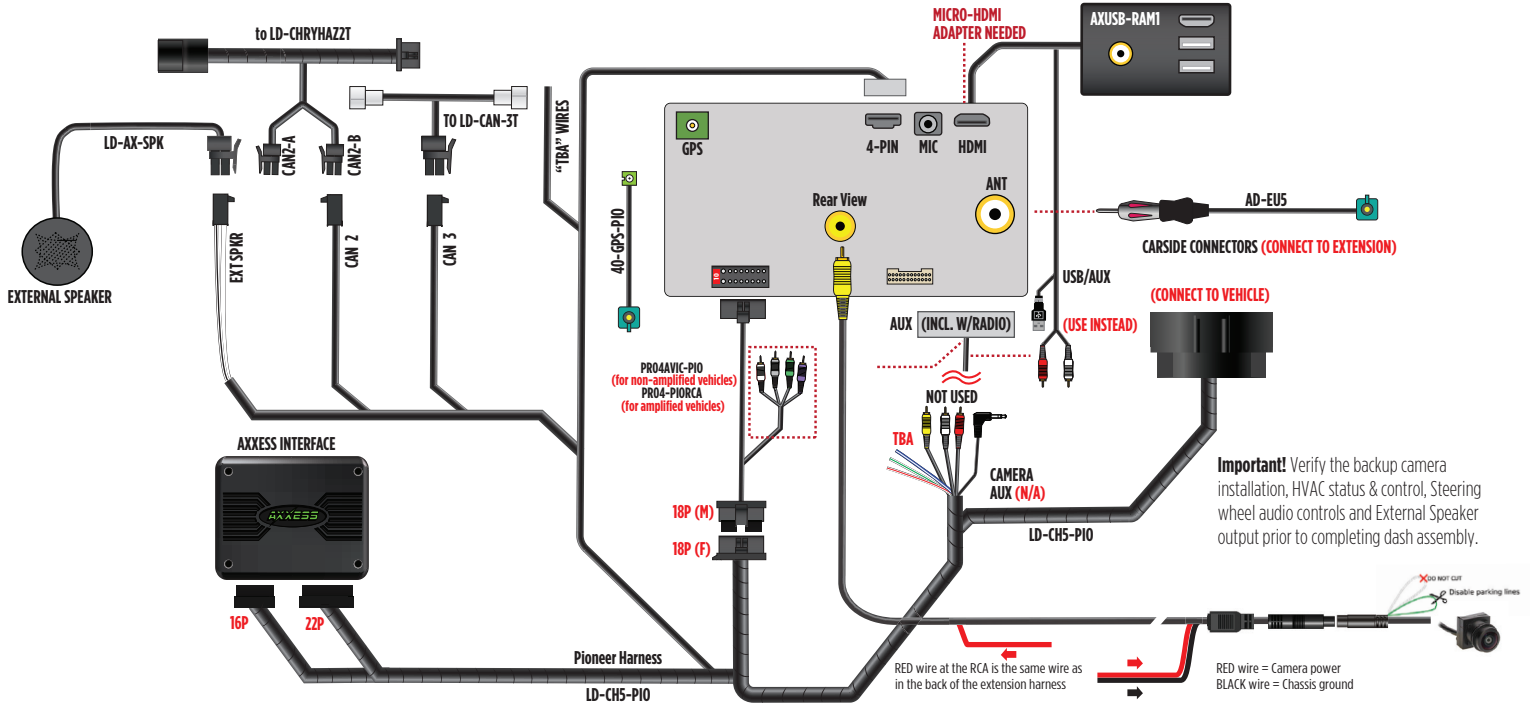
(Figure B)

INTERFACE INSTALLATION

If the vehicle is equipped with rear parking sensors that you wish to retain:

- Install the provided speaker in the dash prior to assembling the radio components.

- Make sure this is mounted in a location suitable for the driver to hear.*
- * Audio level for the speaker can be changed via the radio, once installed.



DASH ASSEMBLY

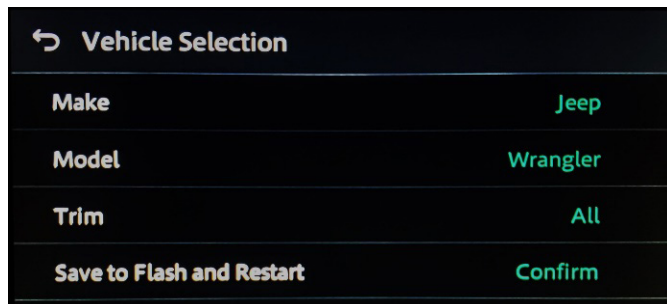
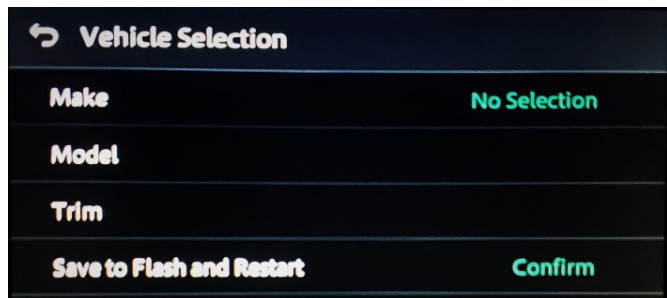
Once all functions are verified:

1. Mount the radio into place using the (4) screws removed from dash disassembly.
2. Attach the radio faceplate provided with this kit and secure it below the radio with the (2) Phillips screws from dash disassembly.
3. Replug and snap the climate control panel into the dash the same way it was removed.
4. Reattach the panel under the steering column to complete the installation.

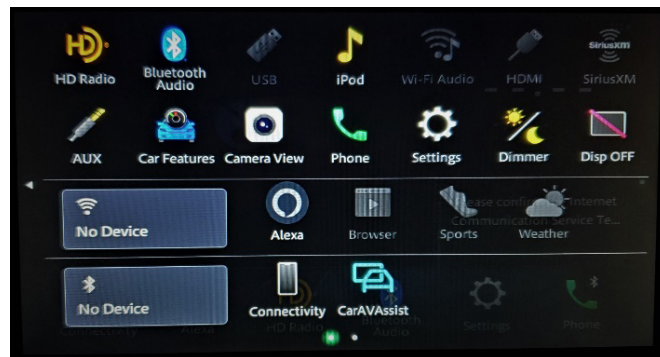
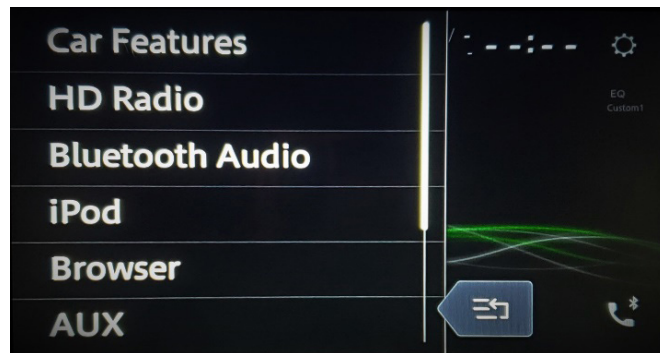
RADIO OPERATION

Vehicle Selection – Allows you to select the vehicle the radio is being installed in.

- Vehicle type must be selected to activate menu & HVAC functions, as well as steering wheel controls. Press Make to change the vehicle type. Then press Confirm. The radio will then reset and lock in the selected vehicle.



Car Features – The source for accessing all vehicle information and options.

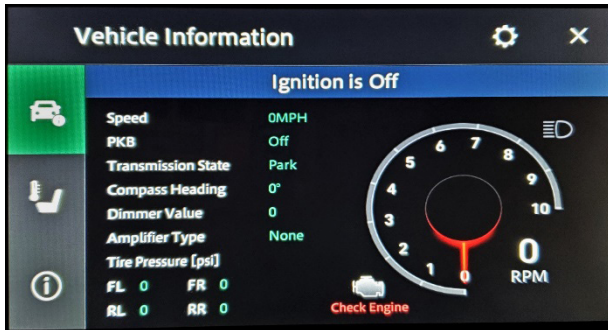


RADIO OPERATION (CONT)

HVAC Operation – HVAC Status and Control Screen.



Vehicle Info Screen – Displays various information of the vehicle (TPMS, Park Position, Lights).

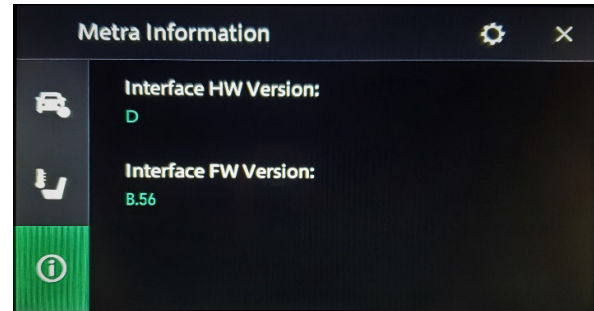


Customizations Menu – Allows full control of vehicle personalization options.

- Access this menu by selecting the gear icon on the previous screenshot.



About Screen – Feedback screen for interface software information.

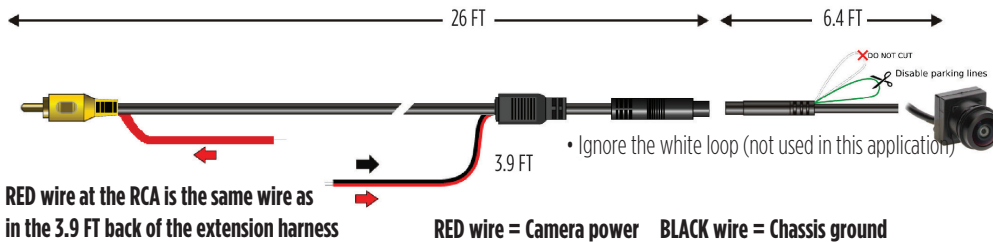


SPECIFICATIONS

- RCA output for aftermarket radios or monitors
- Can be viewed while driving with compatible monitor
- ABS plastic housing to mount camera
- Four (4) Stainless steel screws provided for mounting
- Direct OE replacement
- Resolution: 550 TV Lines
- Selectable parking lines
- Viewing angle - 160 degrees
- Water resistant - IP68

JP-JTKT Kit Includes:

- One (1) camera and extension cable
- Front and back - ABS camera housing
- Four (4) stainless steel screws
- Instruction booklet
- Cut the green loop to add parking lines



Having difficulties? We're here to help.



Contact our Tech Support line at:

386-257-1187



Or via email at:

techsupport@metra-autosound.com

Tech Support Hours (Eastern Standard Time)

Monday - Friday: 9:00 AM - 7:00 PM

Saturday: 10:00 AM - 5:00 PM

Sunday: 10:00 AM - 4:00 PM



**Metra recommends MECP
certified technicians**



Jeep Wrangler JL 2018.5- 2023 (Excluyendo modelos 4XE)

Nota: Este kit funcionará en los vehículos de zona única y los vehículos de doble zona:

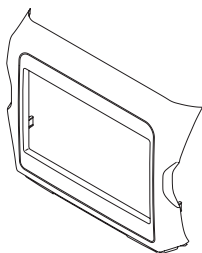
- Se conservarán todas las funciones de climatización (HVAC).
- Los vehículos de zona única únicamente tendrán retroalimentación de estatus de las funciones de HVAC, mientras que los vehículos de doble zona también pueden controlarse desde la pantalla del radio.
- Compass únicamente se retiene en los vehículos equipados con Uconnect 3 (pantalla táctil de 5").
- La bocina externa únicamente se necesita en los vehículos con características grupales de seguridad.

¡Atención! Diseñado específicamente para el DMH-W4600NEX/WC4660NEX de Pioneer. DMH-WC6600NEX de 9" de Pioneer necesitará el kit de montaje flotante de Metra **109-UN02**. (se vende por separado)

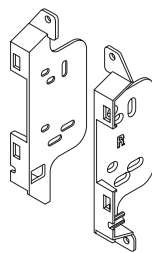
COMPONENTES DEL KIT

- A) Bisel de radio • B) Soportes de montaje superficiales (2) C) Soportes de radio modular (2) D) Ganchos para panel (4)

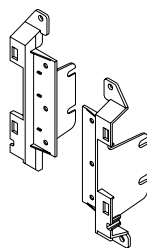
A



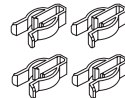
B



C



D



Product Info



ÍNDICE

Desarmado del tablero	2
Ensamble del kit	
Provisión de radio	2
Provisión de radio DDIN modular Pioneer.....	3
Instalación de la interfaz AXXESS	4-16

Visite [AxxessInterfaces.com](https://www.axxessinterfaces.com) para estar al día aplicaciones específicas del vehículo.

CONEXIONES DE CABLEADO Y ANTENA

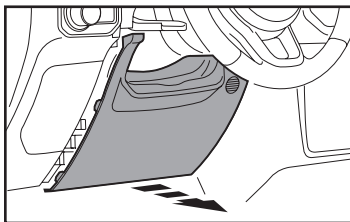
- Árnés de cableado: Se incluye con el kit
 Adaptador de antena: Se incluye con el kit
 Adaptador de antena de GPS: Se incluye con el kit

HERRAMIENTAS Y ACCESORIOS DE INSTALACIÓN REQUERIDOS

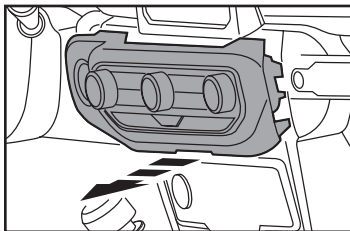
- Herramienta para quitar paneles
- Destornillador Phillips
- Destornilladores Torx

DESMONTAJE DEL TABLERO

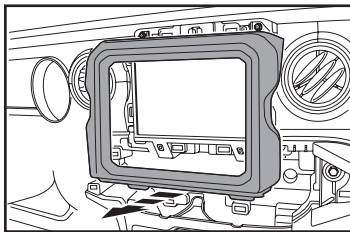
1. Desenganche el panel que está debajo de la columna de dirección y quítelo. (Figura A)
2. Utilice la herramienta de retiro de panel para desenganchar cuidadosamente el panel de control de clima, desconecte el botón de encendido/arranque y climatización (HVAC). Después, póngalo a un lado. (Figura B)
3. Quite (2) tornillos Phillips que fijan el panel de moldura de radio. Después, empezando desde abajo, desenganche el panel y quítelo. (Figura C)
4. Quite (4) tornillos Phillips que fijan el radio de fábrica, desconecte el cableado para, después, quitar el radio.



(Figura A)



(Figura B)

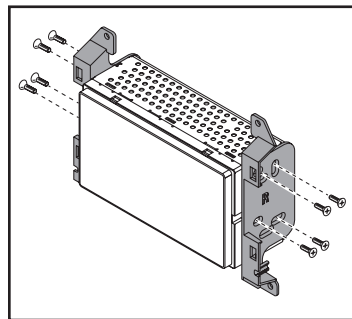


(Figura C)

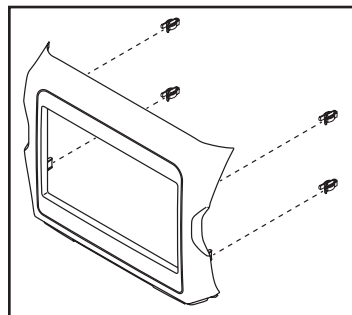
ENSAMBLE DEL KIT

Provisión de radio

1. Sujete los soportes del radio superficiales al radio con los tornillos que incluye el radio. (Figura A)
2. Ubique el arnés de cableado de fábrica y el conector de antena en el tablero y termine todas las conexiones necesarias al radio. Metra recomienda el uso del adaptador de acoplamiento adecuado de Metra o Axxess.
3. Vuelva a conectar la terminal negativa de la batería y haga pruebas en el radio Pioneer para verificar que funcione correctamente.
4. Ponga el radio dentro del panel. Después, fíjelo con los tornillos de fábrica.
5. Fije (4) ganchos de panel incluidos con este kit en el bisel del radio. Después, ponga a presión el bisel sobre el radio. (Figura B)
6. Vuelva a armar el tablero al revés de como lo desarmó para terminar la instalación.



(Figura A)



(Figura B)

ENSAMBLE DEL KIT

Provisión de radio DDIN modular de Pioneer

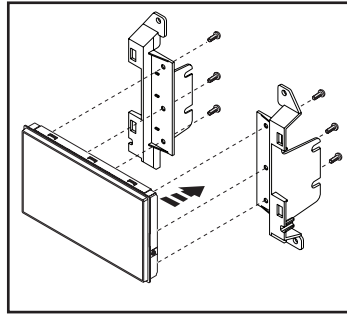
1. Fije la pantalla del radio a los soportes del radio modular con los (6) tornillos incluidos con el radio. (Figura A)

Nota: Consulte el manual de instalación del radio genérico para definir qué tornillos debe usar para fijar la pantalla del radio.

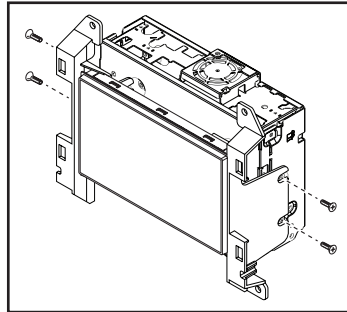
2. Fije el chasis del radio al ensamble del soporte/pantalla del radio con (4) tornillos incluidos con el radio. (Figura B)

Nota: Consulte el manual de instalación del radio genérico para definir qué tornillos debe usar para fijar el chasis del radio.

3. Tienda el cable de extensión RGB del chasis del radio a la pantalla. Después, conecte el cable a la pantalla.

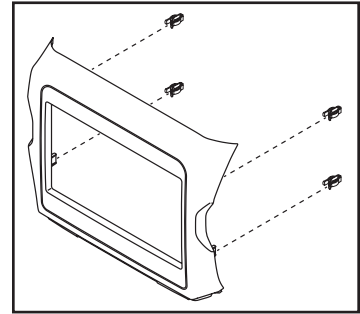


(Figura A)



(Figura B)

4. Ubique el arnés de cableado de fábrica y el conector de antena en el tablero y termine todas las conexiones necesarias al radio. Metra recomienda el uso del adaptador de acoplamiento adecuado de Metra o de Axxess.
5. Vuelva a conectar la terminal negativa de la batería y haga pruebas en el radio Pioneer para verificar que funcione bien.
6. Ponga el radio dentro del panel. Después, fíjelo con los tornillos de fábrica.
7. Fije (4) ganchos de panel incluidos con este kit en el bisel del radio. Después, ponga a presión el bisel sobre el radio. (Figura C)
8. Vuelva a armar el tablero al revés de como lo desarmó para terminar la instalación.



(Figura C)

INSTALACIÓN DE LA INTERFAZ AXCESS

CARACTERÍSTICAS

- Genera corriente de accesorios (12 voltios 10 amperes)
- Conserva R.A.P. (corriente de accesorio retenida)
- Ofrece salidas de NAV (freno de mano, reversa, sensor de velocidad)
- Permite la visualización de la climatización (HVAC) y los medidores en la pantalla de Pioneer
- Permite el ajuste de las funciones de climatización (HVAC) mediante la pantalla Pioneer
- Conserva los controles de audio en el volante
- Permite forzar automáticamente el arranque / alto (en caso de estar equipado)
- Funciona tanto en los vehículos de zona única como en los vehículos de doble zona
- Conserva los tonos de seguridad (la bocina se vende por separado)
- Diseñado para vehículos amplificados y no amplificados
- Actualizable por micro USB B
- Permite la retención y el ajuste de la configuración de personalización de OE
- Instalación lista para usarse
- Diseñado para DMH-W4600NEX/WC4660NEX de Pioneer
- Pintura negro mate resistente a las rayaduras para igualar el acabado original
- Incluye el adaptador de antena para radio y el adaptador de antena para GPS
- Incluye el repuesto de cámara original directa impermeable con clasificación nominal -IP68
- Incluye un cable de repuesto USB/AUX/HDMI® de 3' con panel

COMPONENTES

- LD-CH5-PIO • LD-CHRYHAZZT • LD-2PIN-CAN • Interfaz de radio • Cámara de Jeep (JP-JLKT)
- Arnés PRO4AVIC-PIO o PRO4-PIORCA • Bocina externa • AXUSB-RAM1

ÍNDICE

Instalación de AXUSB-RAM1.....	5
Retiro de la cámara.....	6-8
Ensamble de la cámara.....	9
Cableado.....	10
Instalación de cámara y repuesto de USB.....	11
Instalación de la interfaz.....	12
Ensamble del tablero.....	13
Operación de radio.....	14-15
Especificaciones.....	16

HERRAMIENTAS NECESARIAS

- Herramienta de prensado y conectores o pistola soldadora, soplete y tubo termoretráctil
- Cinta
- Cortador de cables
- Sujetadores

INSTALACIÓN DE AXUSB-RAM1

1. Quite (1) tornillo Phillips que se encuentra arriba de los interruptores de las ventanas. (Figura A-1, B-1)
2. Utilice la herramienta de retiro de panel para desenganchar toda la moldura de panel de instrumentos. (Figura B-2)
3. Desconecte el conector del arnés de cableado. Después, desenganche el centro de comando de medios de la parte trasera del panel y quítelo. (Figura C-1)
4. Conecte el AXUSB-RAM1 y canalice el arnés hacia la ubicación del radio.

Nota: Se necesita un cable micro HDMI a HDMI (se vende por separado) si se quiere tener la entrada HDMI.

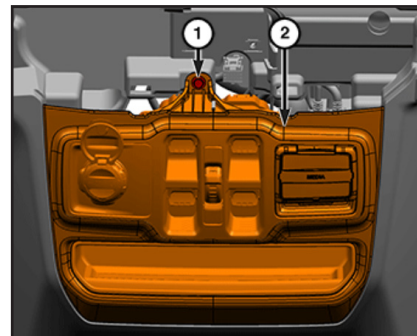
¡Atención! Podrá necesitarse el adaptador USB C. Este viene incluido con el radio Pioneer.

Nota: Consulte el manual de instalación del radio Pioneer.

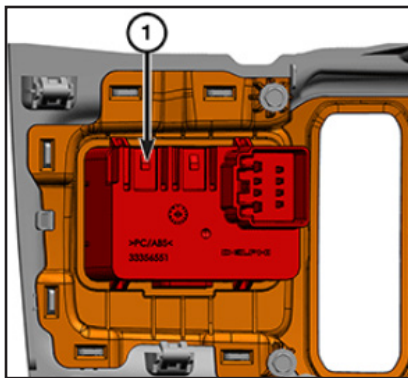
5. Cuando se instale el AXUSB-RAM1, puede rearmarse esta parte del tablero.



(Figura A)



(Figura B)



(Figura C)

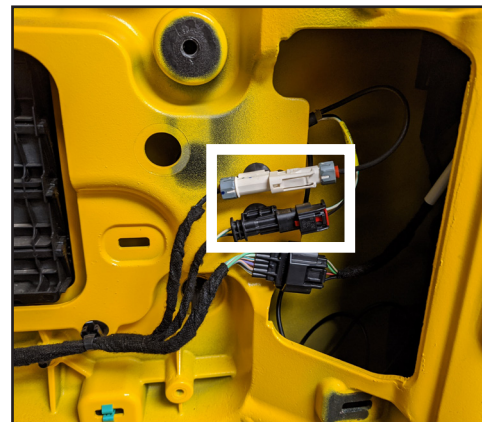
RETIRO DE LA CÁMARA

1. Utilice la herramienta de retiro de panel para desenganchar cuidadosamente el panel interior y quitarlo. (Figura A)
2. Desconecte los (2) conectores pequeños que aparecen en la imagen. (Figura B)
3. Saque a presión el ojal que está detrás de los (2) conectores y ponga el arnés hacia afuera para facilitar el acceso cuando retire la montura de la llanta de repuesto de la puerta trasera.

Nota: Conserve este arnés, ya que se necesitarán para la tercera luz de freno.



(Figura A)



(Figura B)

RETIRO DE LA CÁMARA

1. Quite los pernos que sostienen la llanta en la montura de llanta de repuesto.
2. Quite (4) pernos de 14 mm de la montura de llanta de repuesto, en donde se indica. (Figura A)
3. Desconecte todo el cableado y quite la montura de la llanta de repuesto de la puerta de repuesto.
4. Quite (2) tornillos Torx T-25 para liberar la montura de la cámara de la montura de la llanta de repuesto. (Figura B)



(Figura A)



(Figura B)

RETIRO DE LA CÁMARA (CONT)

- Use los (3) pernos que se indican en la imagen, empújelos hacia abajo y hacia arriba, en dirección de la montura, para liberar la montura de la cámara de la parte trasera de la montura de la llanta de repuesto. (Figura A)

Nota: Es posible que sea necesario aplicar algo de fuerza.

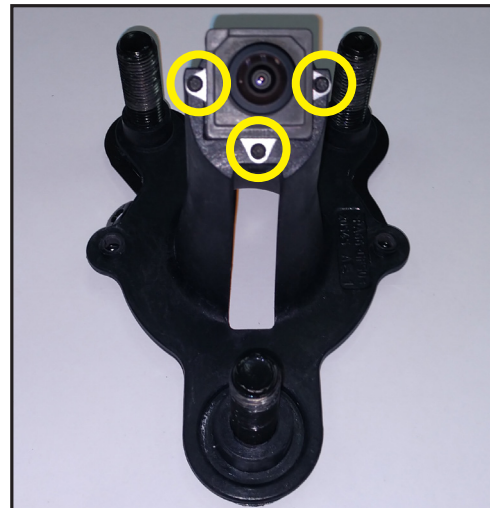
- Cuando se haya quitado la montura de la cámara, saque (3) tornillos Torx T-8H y quite la cámara de la montura. (Figura B)
- Desconecte la cámara del arnés de la llanta de repuesto y conserve el arnés.

Nota: Conserve este arnés, ya que se necesitarán para la tercera luz de freno.

- Ponga cinta y fije el conector de la cámara, en caso de que sea necesario que se tenga que volver a poner la cámara de fábrica.



(Figura A)



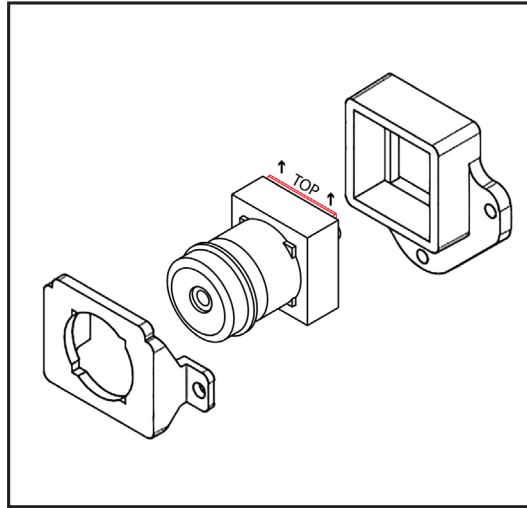
(Figura B)

ENSAMBLE DE LA CÁMARA

1. Ponga la cámara entre las carcasas delantera y trasera. (Figura A)

Nota: Asegúrese de que la cámara esté debidamente posicionada, usando la cornisa superior pequeña como indicador.

2. Vuelva a poner la montura de la cámara en la montura de la llanta de repuesto con los tornillos de fábrica o (3) tornillos de acero inoxidable incluidos con el kit iBeam. (Figura B)
3. Conecte el cableado y vuelva a armar la montura de la llanta de repuesto en la puerta trasera al revés de como quitó la cámara.



(Figura A)



(Figura B)

CABLEADO

1. Después de volver a armar el soporte de la llanta de repuesto, conecte el arnés del freno nuevamente a la puerta trasera y tienda el cable a través de la puerta trasera con sujetadores. Siga el sentido actual del cableado en la puerta trasera para asegurarse de que el panel se ajuste adecuadamente una vez que se tiendan los cables.
2. Tienda el cable a través de la plataforma de la camioneta y al interior del vehículo.
3. Una vez dentro del vehículo, encienda la cámara con el activador de reversa desde la luz trasera.

a) Conecte el cable ROJO al activador de reversa.

Nota: Hay un cable ROJO que se encuentra en el lado opuesto del arnés con el RCA AMARILLO, en caso de que el usuario quiera que la cámara se encienda con un circuito adicional.

b) Conecte el cable NEGRO a una puesta a tierra del chasis.

4. Tienda el cable a lo largo del vehículo con cuidado.

Atención: Asegúrese de no tender el cable cerca de algún objeto que pueda desprender un calor extremo o que pudiera pellizcar o amarrar el cable.

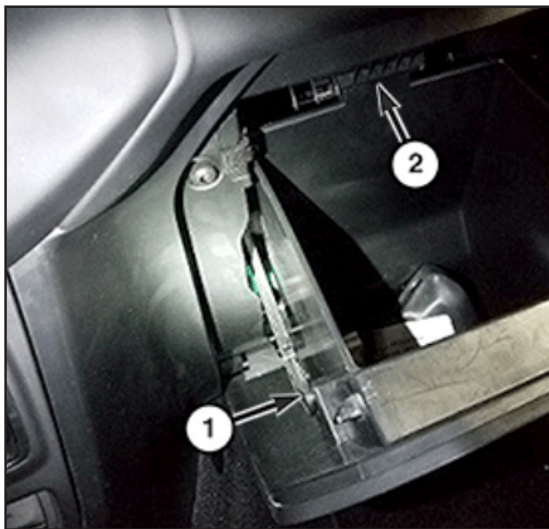


INSTALACIÓN DE CÁMARA Y REPUESTO DE USB

Si se necesita electricidad para la cámara, la conexión debe realizarse físicamente:

- Esto puede hacerse al radio usando el cable rojo para tener electricidad, así como el cable negro para puesta a tierra.
- El cable negro de puesta a tierra desde la cámara tendrá que extenderse y tenderse hacia el frente con el RCA del video. (Figura A)

Nota: Quite la guantera para canalizar el RCA de la cámara al tablero.



(Figura A)

Si viene equipado con TPMS y desea agregar el visual a la pantalla del radio Pioneer:

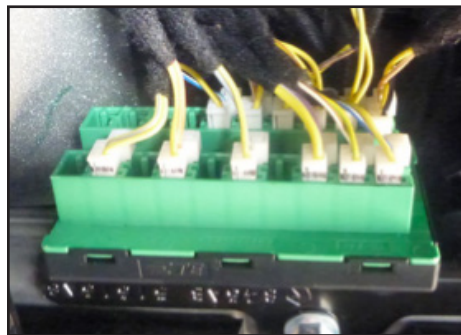
- Canalice el arnés LD-CAN3T detrás de la guantera y conéctelo al disyuntor que se ve en la imagen de abajo. Puede usar cualquier lugar disponible. Si no hay ningún lugar disponible, desconecte uno de los conectores de 2 pines y conéctelo al otro extremo del LD-CAN3T. Así se conectará el LD-CH5-PIO de 2 pines con la etiqueta "CAN 3".

Si NO tiene el LD-CAN3T:

- Conecte el cable **café con blanco** del LD-2PIN-CAN a uno de los cables **amarillos** de 2 pines. Después, el café al otro cable en el de 2 pines. Así se conectará el LD-CH5-PIO de 2 pines con la etiqueta "CAN 3".

Café con blanco = CAN bajo **Café** = CAN alto

Nota: Debe quitarse la guantera para acceder a esta conexión. Consulte la fotografía para saber cuál es el punto de conexión. (Figura B)



(Figura B)

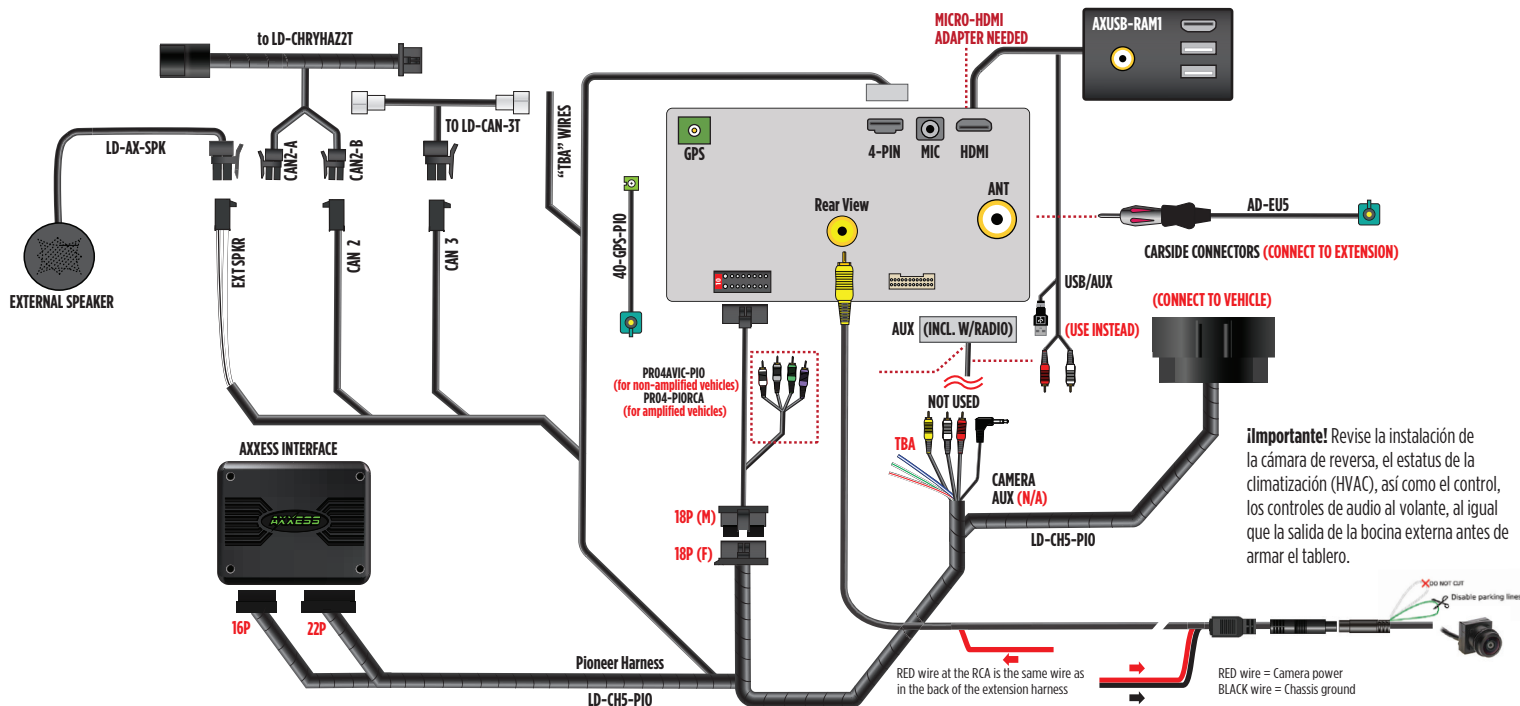
INSTALACIÓN DE LA INTERFAZ

Si el vehículo viene equipado con los sensores traseros de estacionamiento que desea conservar:

- Instale la bocina incluida en el tablero antes de ensamblar los componentes del radio.

• Asegúrese de que esté montado en una ubicación idónea para que el conductor pueda escucharla.*

- * El volumen del audio en la bocina se puede cambiar desde el radio, ya que esté instalado.



¡importante! Revise la instalación de la cámara de reversa, el estatus de la climatización (HVAC), así como el control, los controles de audio al volante, al igual que la salida de la bocina externa antes de armar el tablero.

ENSAMBLE DEL TABLERO

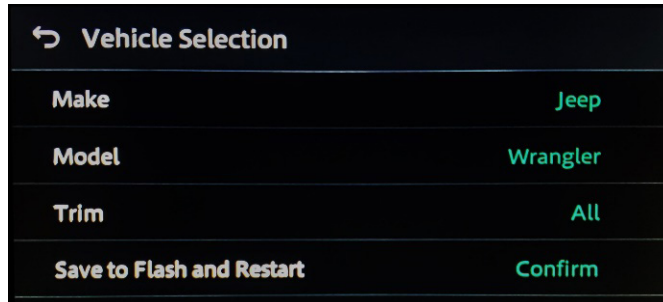
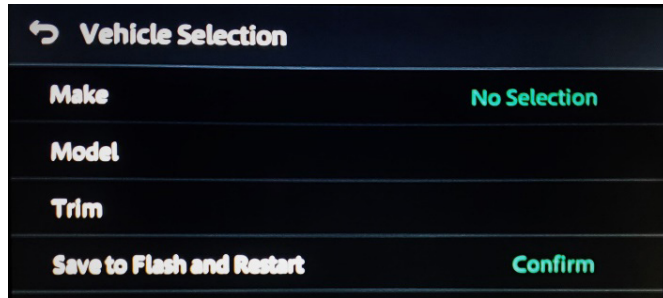
Cuando haya verificado todas las funciones:

1. Monte el radio Pioneer en el lugar con los (4) tornillos que quitó mientras desarmaba el tablero.
2. Fije la placa delantera del radio incluida con este kit y fíjela debajo del radio con los (2) tornillos Phillips que quitó al desarmar el tablero.
3. Vuelva a conectar el panel de control de clima al tablero y métalo a presión de la misma manera en que lo quitó.
4. Vuelva a fijar el panel debajo de la columna de dirección para terminar la instalación.

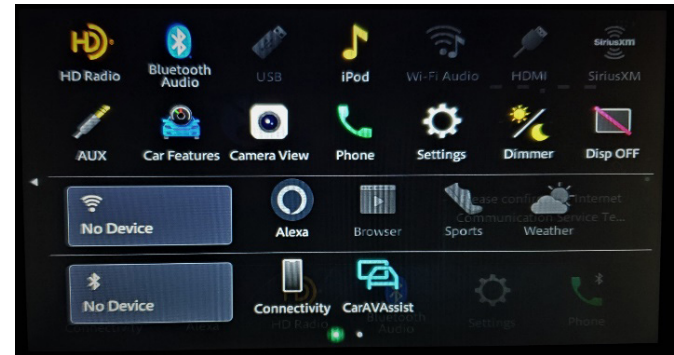
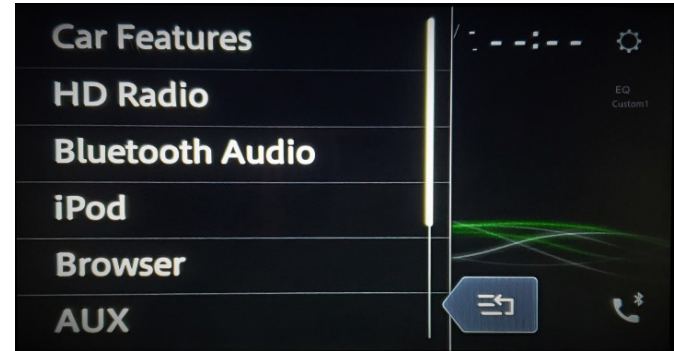
OPERACIÓN DE RADIO

Selección del vehículo – Le permite seleccionar el vehículo en el que se está instalando el radio.

• Debe seleccionarse el tipo de vehículo para activar las funciones de menú y de climatización (HVAC), así como los controles en volante. Oprima “Marca” para cambiar el tipo de vehículo. Después, oprima “Confirmar”. En este momento, el radio se reiniciará y se bloqueará la selección del vehículo.



Características del auto – Es la fuente para acceder a todas las opciones y la información del vehículo.



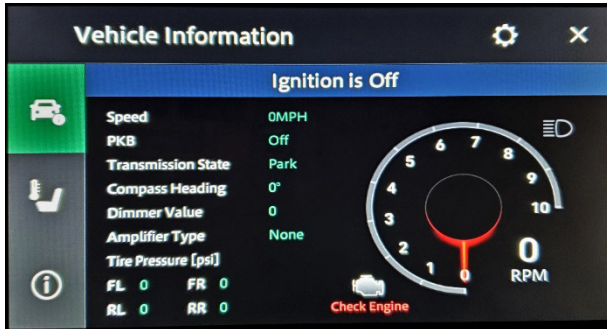
OPERACIÓN DEL RADIO (CONT)

Operación de climatización – Pantalla de control y estatus de climatización (HVAC).



(Estado solo en vehículos de una zona, Estado y control en vehículos de doble zona)

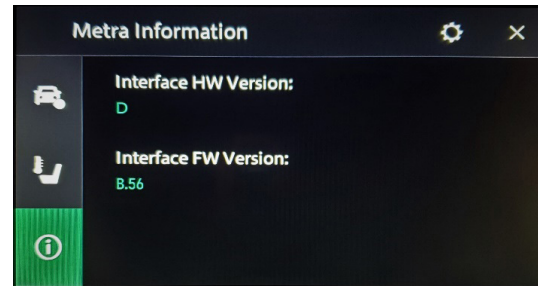
Pantalla de información del vehículo – Muestra varios datos acerca del vehículo (TPMS, posición de estacionamiento, luces).



Menú de personalizaciones – Permite controlar totalmente las opciones de personalización de vehículo. Acceda este menú seleccionando el icono del engrane en la pantalla anterior.



Pantalla “Acerca” – Es la pantalla de retroalimentación de la información del software de la interfaz.

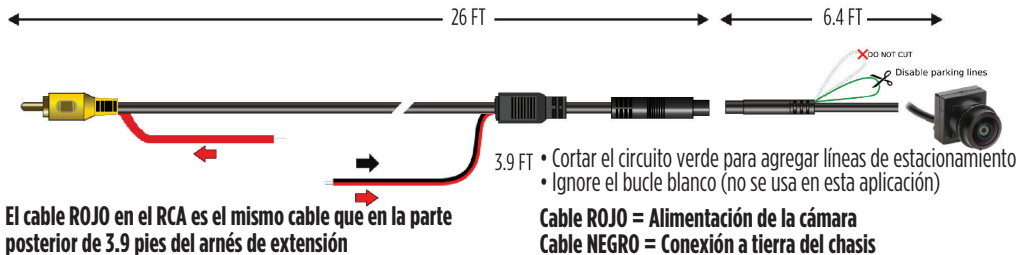


ESPECIFICACIONES

- Salida RCA para los monitores o los radios genéricos
- Puede verse mientras conduce con un monitor compatible
- Carcasa plástica ABS para montar la cámara
- Cuatro (4) tornillos de acero inoxidable incluidos para fines de montura
- Sustituto directo de OE
- Resolución: Líneas de TV 550
- Líneas de estacionamiento seleccionables
- Ángulo de visualización: 160 grados
- Impermeable - IP68

El kit **JP-JTKT** incluye:

- Una (1) cámara y (1) cable de extensión
- Dos (2) soportes de montaje de cámara:
- Soporte con la etiqueta 1 para vehículos con cámara de reversa.
- Soporte con la etiqueta 2 para vehículos con sistemas de vista panorámica o 360°. (no se conserva)
- Instructivo



¿Tienes dificultades? Estamos aquí para ayudar.



Póngase en contacto con nuestra línea de soporte técnico en:
386-257-1187



O por correo electrónico a:
techsupport@metra-autosound.com

Horario de Soporte Técnico (hora estándar del este)

Lunes - Viernes: 9:00 AM - 7:00 PM

Sábado: 10:00 AM - 5:00 PM

Domingo: 10:00 AM - 4:00 PM



Metra recomienda técnicos con certificación del Programa de Certificación en Electrónica Móvil (Mobile Electronics Certification Program, MECP).