

### Fairing Disassembly

Harley Davidson Street Glide,  
Electra Glide, Ultra, and  
Limited models 2014-up

1. Remove (4) T-27 from inner fairing. (Figure A)
2. Remove (3) T-27 from windshield (caution not to drop the outer fairing or windshield). (Figure B)
3. Remove outer fairing, unplugging the headlight. (Figure C)
4. Remove (2) T-27 to remove the fairing vent and remove the vent. (Figure D)

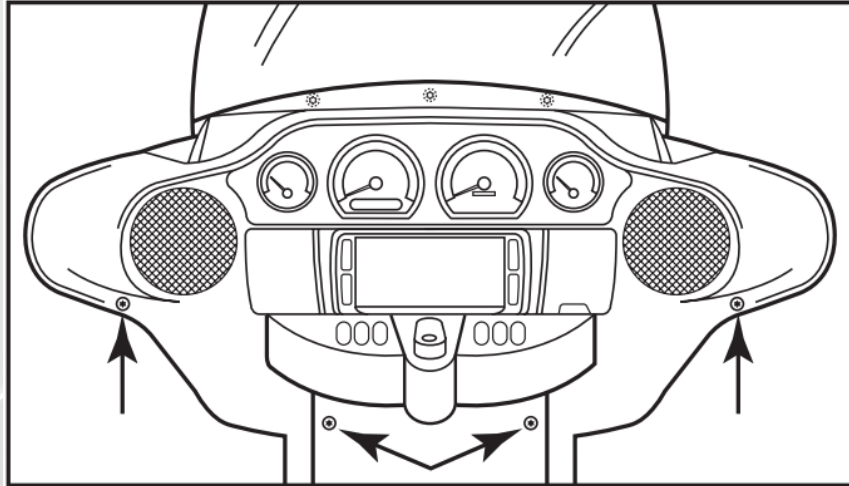


Figure A

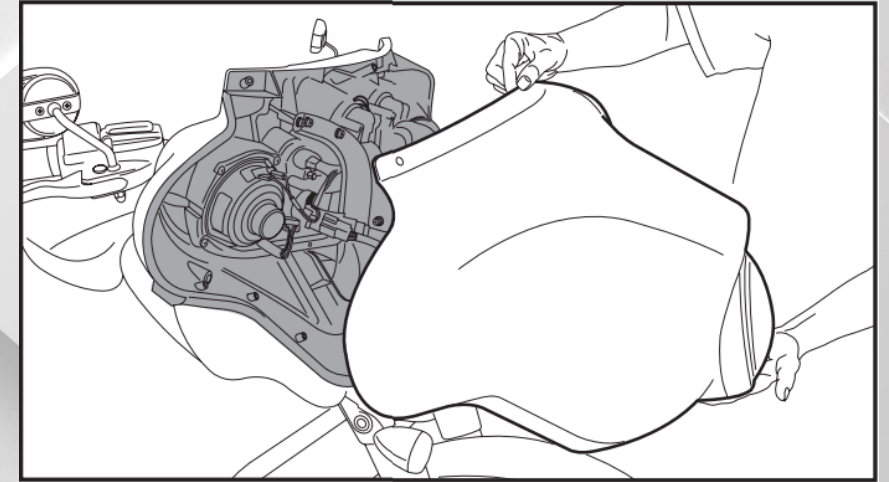


Figure C

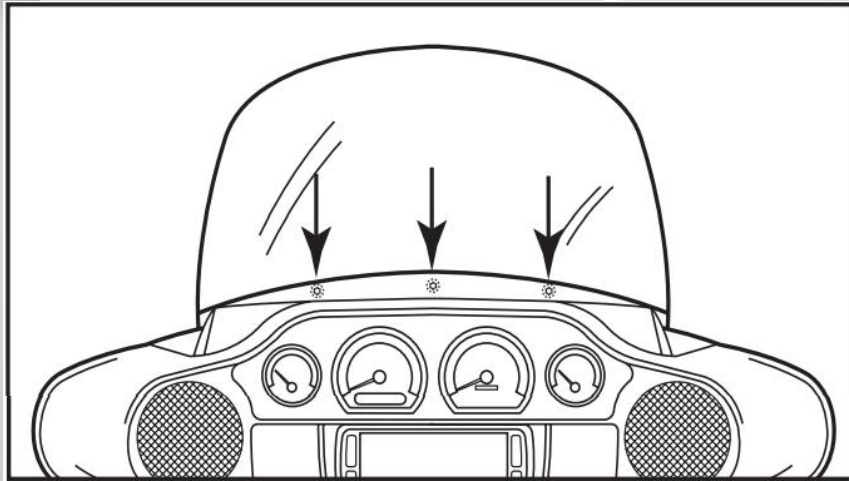


Figure B

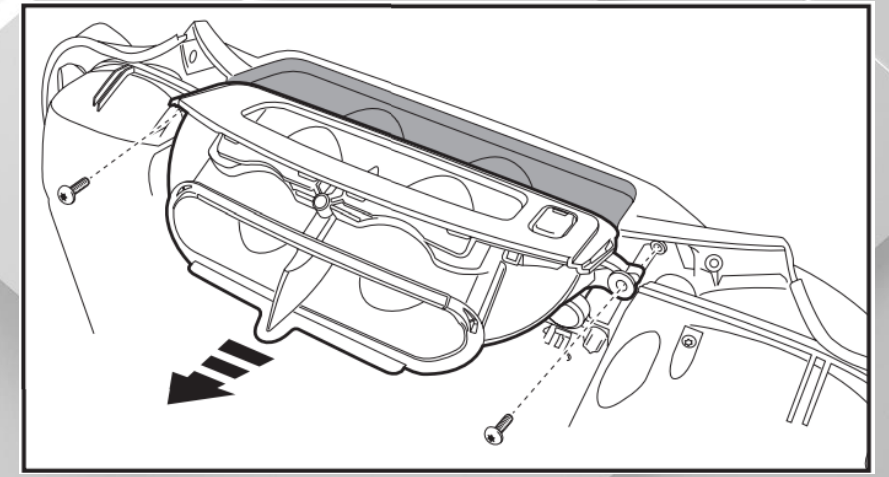


Figure D

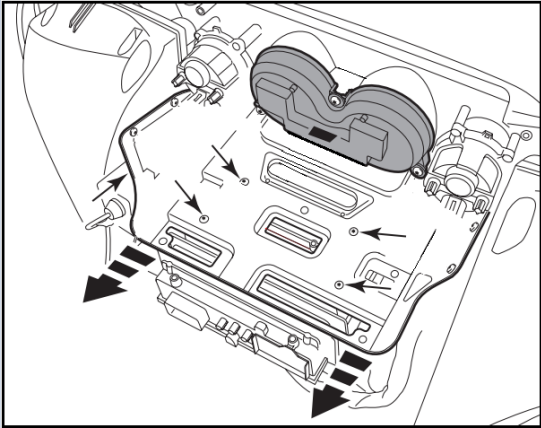


Figure E

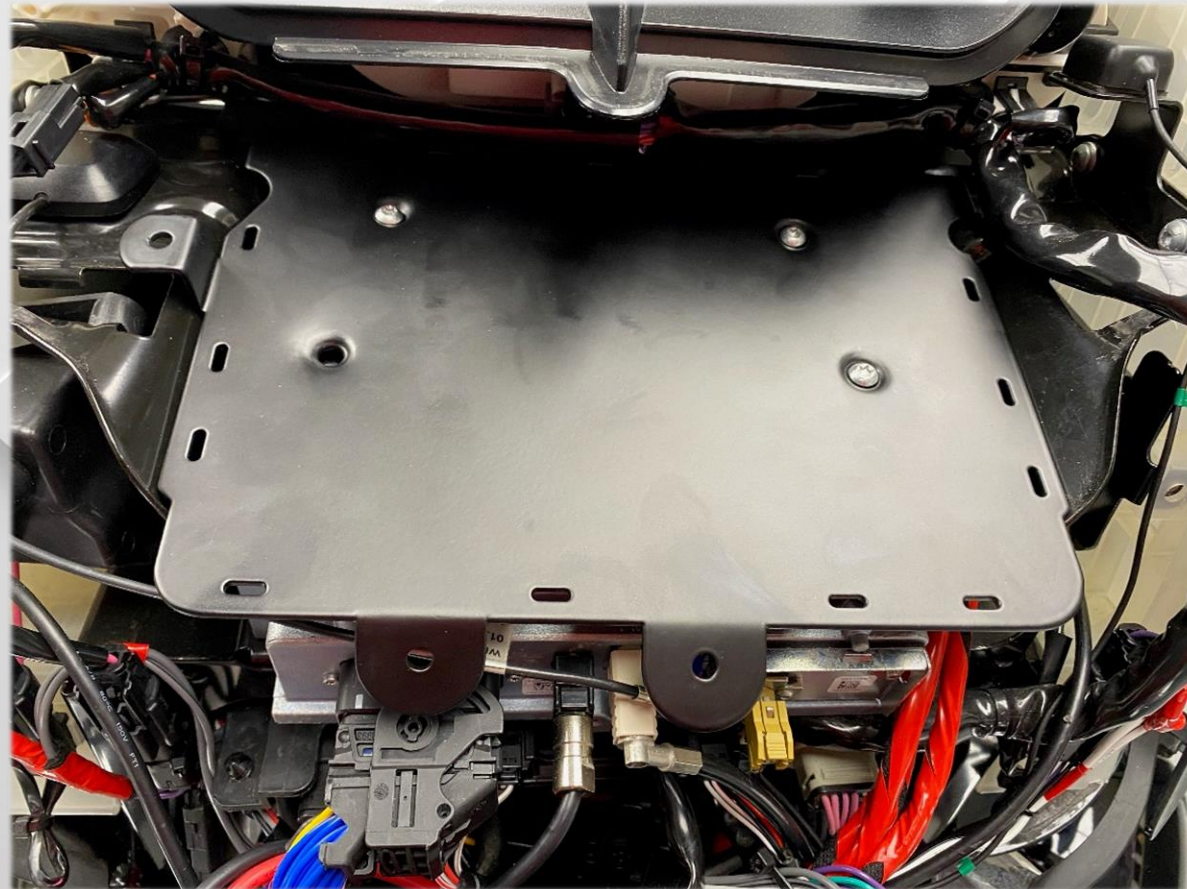
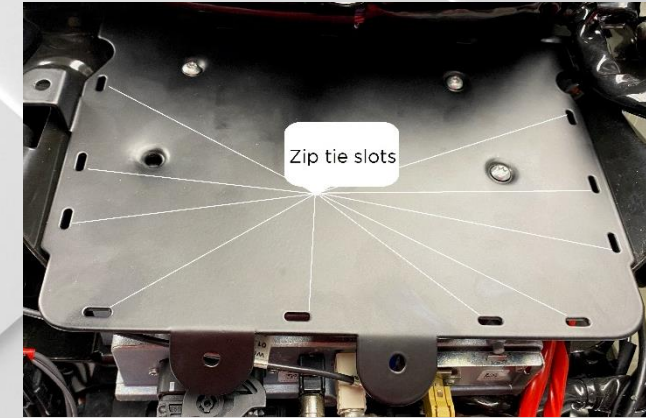
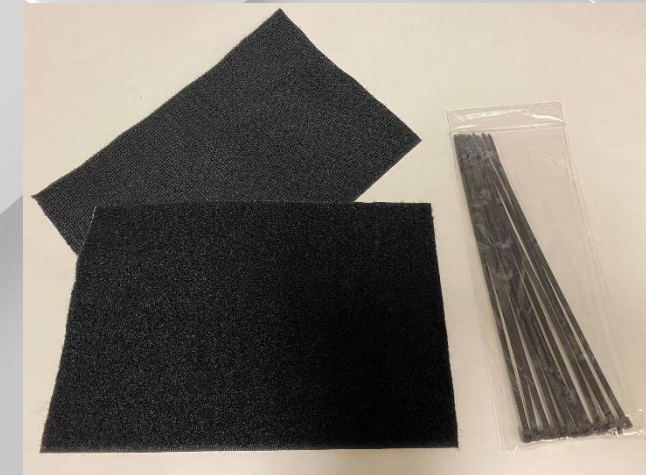


Figure F



Kit features:

- 12 Black zip ties
- 8.5"x6" Hook and loop tape



### Installing: BC-AMP06 Bracket

1. Remove the four (4) upper Bolt from the Radio support Bracket, using a T25 Torx bit. (Figure E)
2. Place the BC-AMP06 mount in radio cradle. (Figure F)  
**(Caution, Do not over torque Fasteners. Factory spec is 20 In. Lbs.)**
3. Reassemble the fairing in reverse order of disassembly, on page 1.