



BEFORE YOU BEGIN

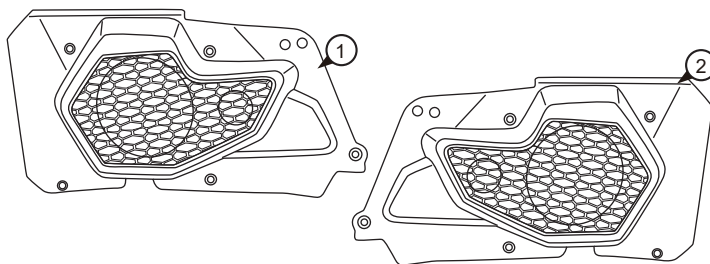
1. Read these instructions and check to be sure all parts and tools are accounted for.
2. Please retain these installation instructions for future reference and parts ordering information

IMPORTANT

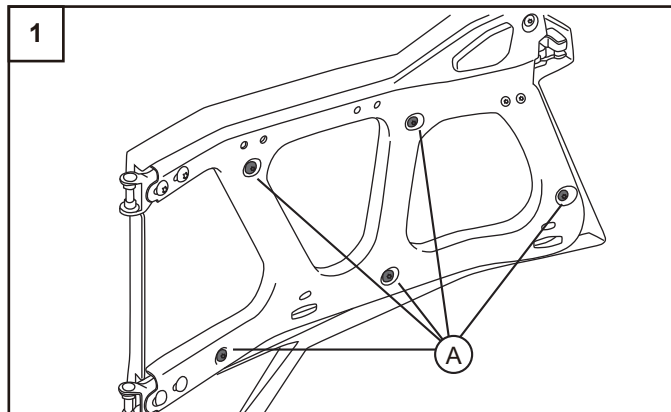
1. This product fits 2014-2020 Polaris RZR 900/1000.
2. Please read the installation instructions carefully before you start.
3. If the vehicle is clean and free of other debris, it will be easy to install.
4. For your safety and to ensure a satisfactory installation, please complete all the installation steps in the order shown below.

PRODUCT INFORMATION:

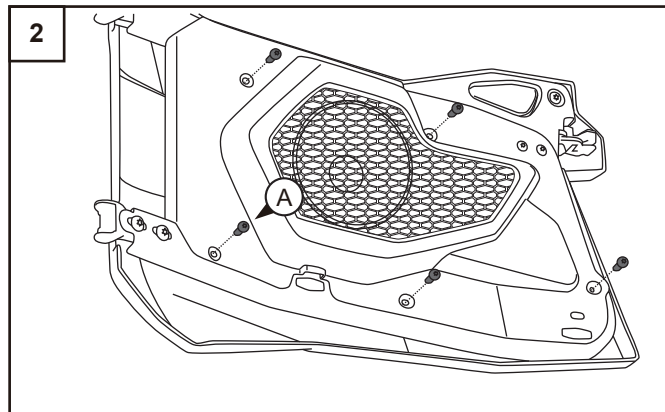
REF	QTY	PART DESCRIPTION
1	1	Driver Side Speaker Cover
2	1	Passenger Side Speaker Cover



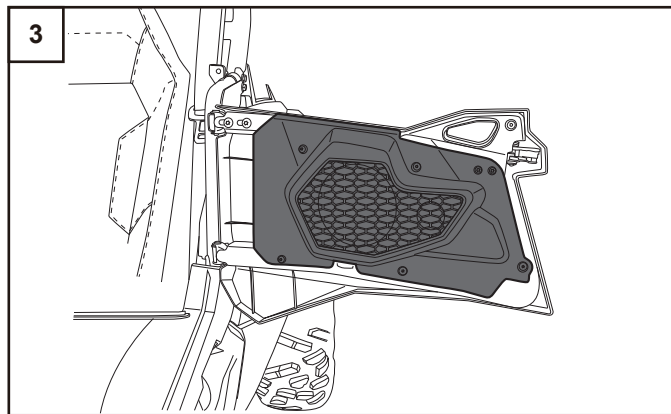
INSTALLATION TIPS:



1. Remove five original factory screws A from vehicle door frame. Save the screws A.



2. Install driver side speaker cover [1] to the door frame with five screws A.



3. Repeat step 1-2 to install passenger side speaker cover [2].