

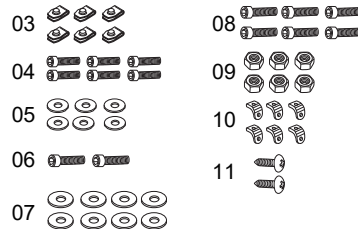
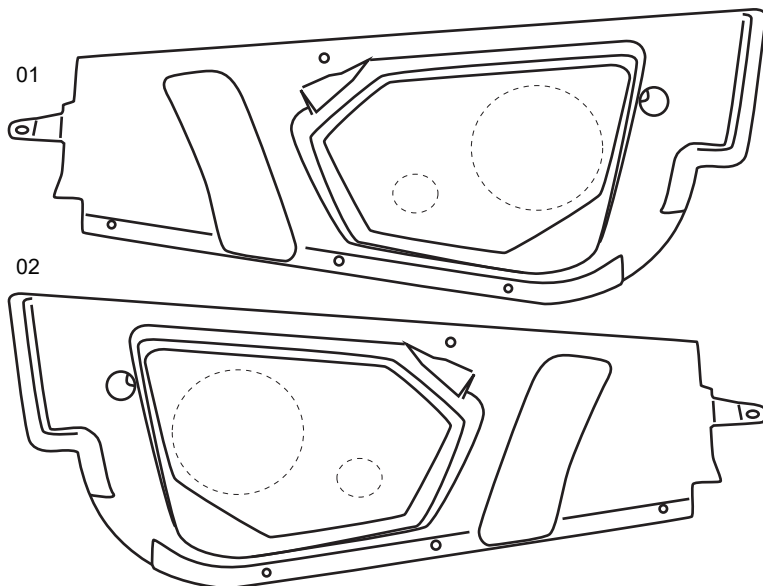
BEFORE YOU BEGIN

- 1..Read these instructions and check to be sure all parts and tools are accounted for.
2. Please retain these installation instructions for future reference and parts ordering information

IMPORTANT

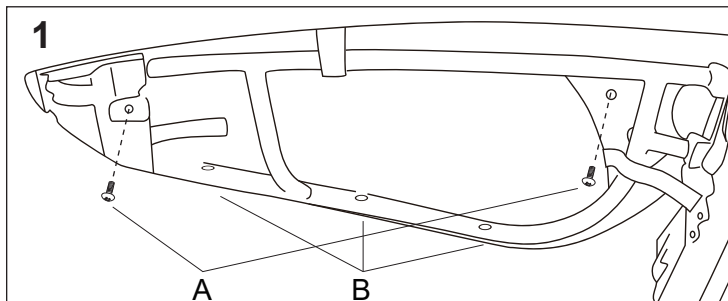
1. This product fit 2017-2020 CAN-AM X3
2. Please read the installation instructions carefully before you start.
3. If the vehicle is clean and free of other debris, it will be easy to install.
4. For your safety and to ensure a satisfactory installation, please complete all the installation steps in the order shown below

PRODUCT INFORMATION:

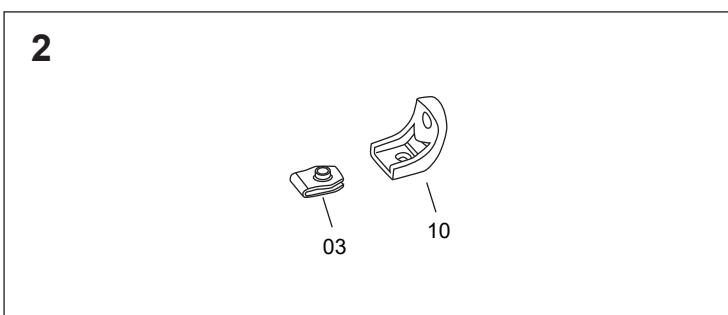


01	Door Speaker Pod R	x1
02	Door Speaker Pod L	x1
03	Speed nut M4	x6
04	Allen screw M4x12	x6
05	Flat washer M4	x6
06	Allen button head M6X25	x2
07	Flat washer M6	x8
08	Allen Bolt M6X45	x6
09	Nylock Nut M6	x6
10	Plastic mount	x6
11	Pan head screw 4x16	x2

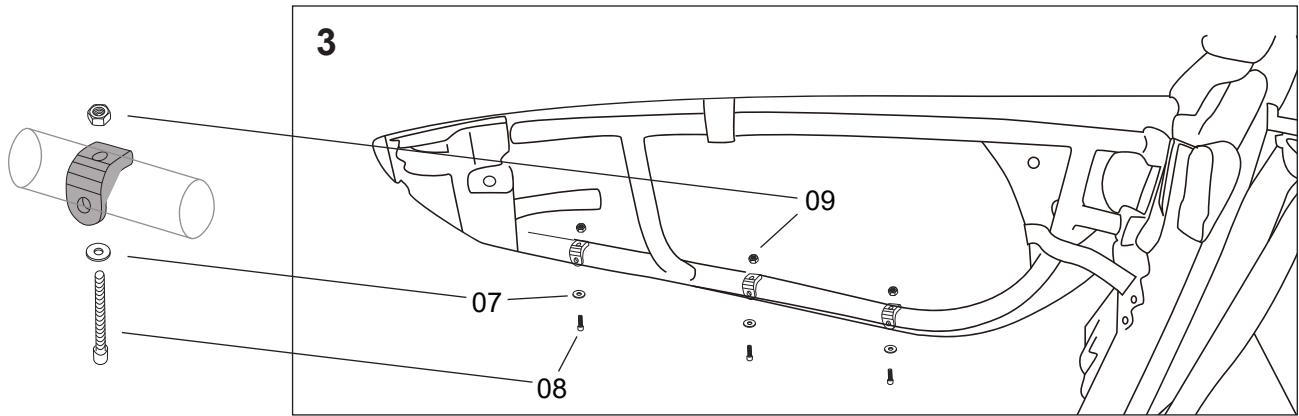
INSTALLATION TIPS:



Step 1: Remove the two screws (A) and 3 Torx (B) from the original X3 door.



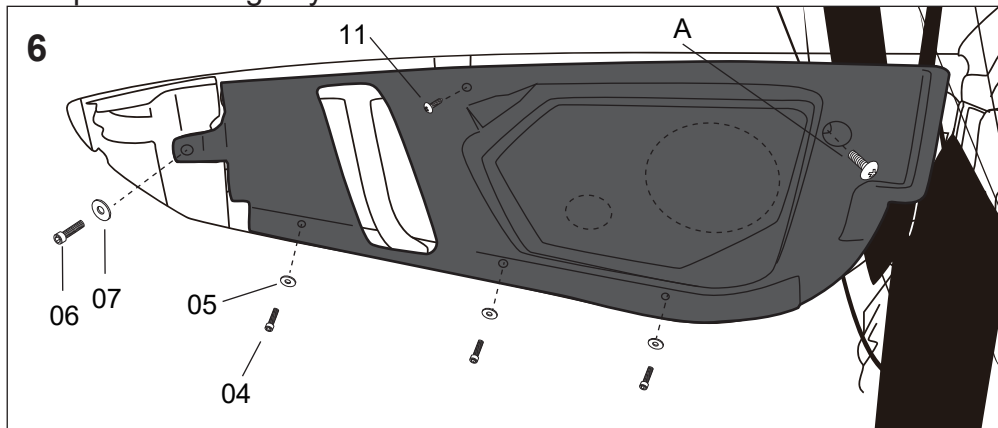
Step 2: Assemble Speed nut (3) and the plastic mount (10) according to the direction shown in picture 2.



Step 3: Assemble the components from step 2 on the bottom half-door frame, picture 3. The plastic mounts will mount in the same location as the bolts remove in step 1 (B). Use the Allen M6x45 bolt (8), Flat washer (7), and Nylock nut (9) to attached the plastic clips (10) to the door frame.

Step 4: With the panel face down on a soft surface install your aftermarket speaker. Make sure the mounting hardware from your aftermarket speaker will not puncture through the front panel. If you have a tweeter a bracket may need to be created.

Step 5: Run speaker wiring to your source unit.



Step 6: Remove red backing from the double-sided tape and secure to the doors frame. Using the hardware shown attach the MPS-CAMX3SP1 to the door. Note that the original screws from step one will be used.



MetraPowerSports.com

Having difficulties? We're here to help.

Contact our Tech Support line at:

386-257-1187

Or via email at:

techsupport@metra-autosound.com

Tech Support Hours (Eastern Standard Time)

Monday - Friday: 9:00 AM - 7:00 PM

Saturday: 10:00 AM - 7:00 PM

Sunday: 10:00 AM - 4:00 PM