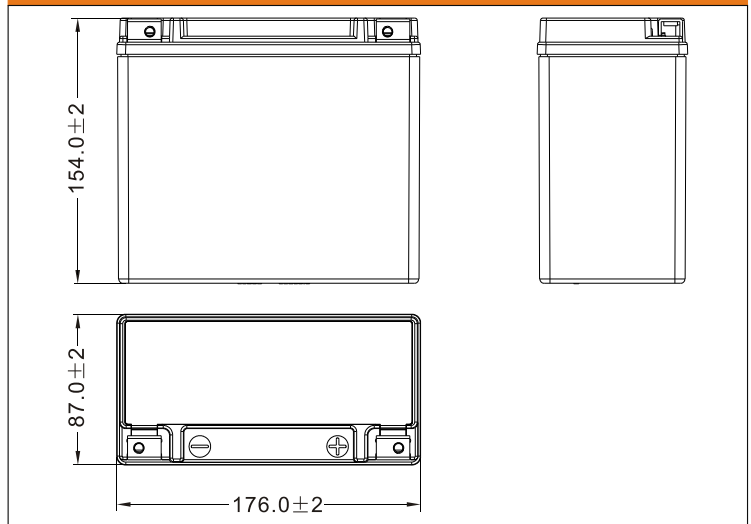


# SHURIKEN® POWER SPORTS

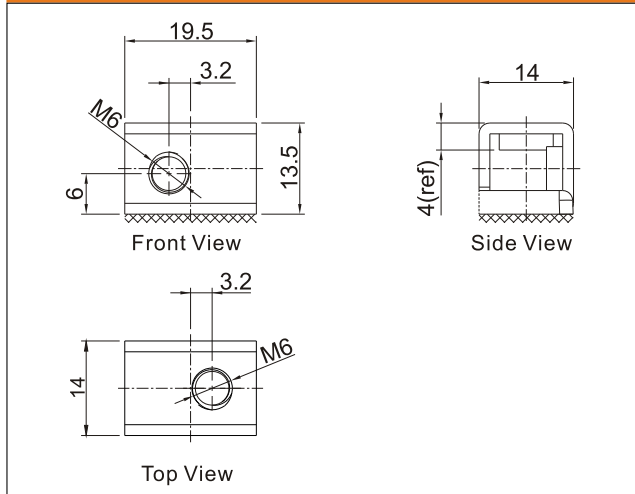
## SK-BTX20L-BS [12V18Ah]



### Dimensions (mm)



### Standard Terminal (mm)

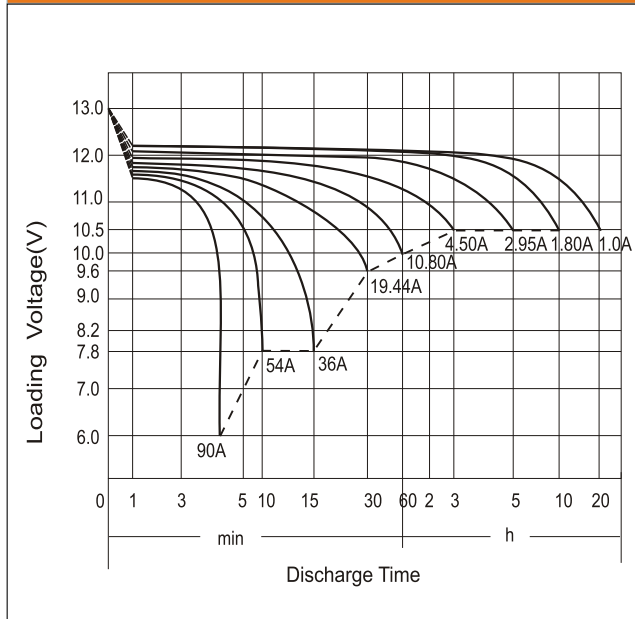


### Physical Specification

Nominal Voltage	12V	
Nominal Capacity (10HR)	18AH	
Dimension	Length	176 ± 2mm (6.93 inches)
	Width	87 ± 2mm (3.43 inches)
	Container Height	154 ± 2mm (6.06 inches)
	Total Height (with Terminal)	154 ± 2mm (6.06 inches)
Weight	Battery(with acid):	Approx 6.50kg (14.33lbs)
	Electrolyte:	Approx 1.1kg (2.43lbs)

- \* Sealed and non-spillable AGM battery
- \* Maintenance-free
- \* Powerful 310 cold cranking amps
- \* Shipped pre-charged and ready to install

### Discharge Characteristics (25°C, 77°F)



### Electrical Specification

Rated Capacity	20 hour rate (1.00 A)	20.00AH
	10 hour rate (1.80 A)	18.00AH
	5 hour rate (2.95 A)	14.76AH
	2 hour rate (6.30 A)	12.60AH
	1 hour rate (10.80 A)	10.80AH
Capacity affected by Temperature	0.5 hour rate (19.44 A)	9.72AH
	40 °C (104 °F)	106%
	25 °C (77 °F)	100%
	0 °C (32 °F)	86%
Self Discharge	-15 °C (5 °F)	65%
	Approximately 3% per month (25°C (77°F))	
Charging Methods	Full Charge	Constant-Voltage Charge: Initial charging current: less than 5.4A Voltage: 14.40 V ~ 15.00 V at 25 °C (77 °F) Charging time: 15 ~18h Constant-Current Charge: Charging current: 0.1C <sub>10</sub> =1.80A, when charging voltage up to 14.40V, continue to charge 4h
	Floating Charge	No limit on Initial charging current Voltage: 13.50 V ~ 13.80 V at 25 °C (77 °F)

### Sales Office

**Metra Electronics**  
460 Walker Street  
Holly Hill, FL 32117-2699  
National: 800.221.0932  
Local: 386.257.1186  
Fax: 800.647.8091

**For International Sales:**  
Maurice.soto@metra-autosound.com  
460 Walker Street  
Tel: 386-257-1186 ext.2313  
Fax: 386.257.9160

**For Technical Support:**  
Techsupport@metra-autosound.com  
Tel: 386-257-1187  
800.253.TECH (8324)